

NuIPC

cPCI-6780 series

**6U CompactPCI FSB133 Advanced Function
Socket-370 Pentium-III/Celeron CPU Module
and Rear I/O Transition Module
User's Guide**



Recycled Paper

© Copyright 2001 ADLINK Technology Inc.

All Rights Reserved.

Manual Rev. 1.00: Feb 19, 2002

Part No. 50-15005-100

The information in this document is subject to change without prior notice in order to improve reliability, design and function and does not represent a commitment on the part of the manufacturer.

In no event will the manufacturer be liable for direct, indirect, special, incidental, or consequential damages arising out of the use or inability to use the product or documentation, even if advised of the possibility of such damages.

This document contains proprietary information protected by copyright. All rights are reserved. No part of this manual may be reproduced by any mechanical, electronic, or other means in any form without prior written permission of the manufacturer.

Trademarks

NuIPC is a registered trademark of ADLINK Technology Inc.

Other product names mentioned herein are used for identification purposes only and may be trademarks and/or registered trademarks of their respective companies.

Getting service from ADLINK

- Customer Satisfaction is always the most important thing for ADLINK Technology Inc. If you need any help or service, please contact us and get it.

ADLINK Technology Inc.			
Web Site	http://www.adlinktech.com		
Sales & Service	service@adlinktech.com		
Technical Support	NuDAQ + USBDAQ	nudaq@adlinktech.com	
	NuDAM	automation@adlinktech.com	
	NuIPC	nuipc@adlinktech.com	
	NuPRO	nupro@adlinktech.com	
TEL	+886-2-82265877	FAX	+886-2-82265717
Address	9F, No. 166, Jian Yi Road, Chunggho City, Taipei, 235 Taiwan, R.O.C.		

- Please inform or FAX us of your detailed information for a prompt, satisfactory and constant service.

Detailed Company Information			
Company/Organization			
Contact Person			
E-mail Address			
Address			
Country			
TEL		FAX	
Web Site			
Questions			
Product Model			
Environment to Use	OS : _____ Computer _____ M/B : _____ CPU : _____ Chipset : _____ BIOS : _____ Video Card : _____ Network Interface Card : _____ Other : _____		
Challenge Description			
Suggestions to ADLINK			

Table of Contents

Chapter 1 Introduction	1
1.1 Checklist.....	1
1.1.1 <i>Front Board</i>	2
1.1.2 <i>Rear Board</i>	2
1.2 Description.....	4
1.3 Features.....	6
1.4 Specifications.....	7
1.5 Functional Block Diagram.....	14
1.6 Mechanical outline drawing.....	15
1.6.1 <i>Outline drawing for cPCI-6780 series front board</i>	15
1.6.2 <i>Outline drawing for cPCI-R6780 series rear I/O transition modules</i>	15
Chapter 2 Jumpers and Connectors	17
2.1 Jumpers on the cPCI-6780 and cPCI-R6780.....	18
2.1.1 <i>JP1 on cPCI-6780(TS only)</i>	22
2.1.2 <i>JP1, 2, 3 on cPCI-R6780S, R6780SA, R6780V and R6780VA</i>	22
2.2 Connectors on the cPCI-6780.....	23
2.2.1 <i>Keyboard and Mouse Connector</i>	24
2.2.2 <i>Ethernet Connectors</i>	24
2.2.3 <i>Serial Port Connectors</i>	24
2.2.4 <i>Parallel Port Connectors</i>	25
2.2.5 <i>VGA Connector</i>	25
2.2.6 <i>USB Connectors</i>	26
2.2.7 <i>IDE Connectors (44-pin)</i>	27
2.2.8 <i>IDE Connectors (40-pin)</i>	28
2.2.9 <i>SCSI Connectors</i>	29
2.2.10 <i>FDD Connector</i>	30
2.2.11 <i>AC97 Audio Interface Connectors</i>	30
2.2.12 <i>Audio Jacks (Optional, with DB-AC97S board)</i>	31
2.2.13 <i>FAN Connector</i>	31
2.2.14 <i>CompactPCI J1 Pin Assignments</i>	32
2.2.15 <i>CompactPCI J2 Pin Assignments</i>	33
2.2.16 <i>CompactPCI J3 Pin Assignments</i>	34
2.2.17 <i>CompactPCI J4 Pin Assignments</i>	35
2.2.18 <i>CompactPCI J5 Pin Assignments</i>	36

2.3	LED indicators on the cPCI-6780.....	37
2.3.1	LAN port indicators (available for LAN1, LAN2 and LAN3).....	37
2.3.2	IDE Activity LED Indication	38
2.3.3	Power LED Indication	38
2.3.4	SCSI Activity LED Indication.....	38
2.3.5	SCSI LVD Indication	38
Chapter 3 Getting Start.....		39
3.1	CPU Installation	40
3.2	Memory Installation.....	41
3.3	CF Installation.....	42
3.4	HDD Installation.....	44
3.5	OS installation device connection	46
3.5.1	Using cPCI-6780 on ADLINK's cBP-6108 series backplane.....	46
3.5.2	Using cPCI-6780 on other backplanes.....	46
3.6	Notice for Rear I/O Connection.....	47
3.6.1	The I/O implementation is only supported by rear I/O board.....	47
3.6.2	The I/O implementation is supported by both rear I/O and front I/O.....	47
3.6.3	The FDD and IDE interfaces.....	48
Chapter 4 Driver Installation		50
4.1	Intel 815 Chipset Hardware and VGA Driver.....	52
4.1.1	Hardware Configuration File Installation	52
4.1.2	VGA Driver Installation	54
4.2	SM721 VGA Drivers Installation (cPCI-6780TS)	56
4.2.1	Driver Installation on Windows 2000	56
4.2.2	Driver Installation on Windows 98.....	57
4.2.3	Driver Installation on Windows NT.....	58
4.3	LAN Drivers Installation.....	59
4.3.1	Software and Drivers Support.....	59
4.3.2	Driver Installation on Windows 2000	60
4.3.3	Driver Installation on Windows 98.....	61
4.3.4	Driver Installation on Windows NT.....	62
4.4	SCSI Drivers Installation.....	63
4.4.1	Software and Drivers Support.....	63
4.4.2	Driver Installation on Windows 2000	64

4.4.3 *Driver Installation on Windows 98*..... 65
4.4.4 *Driver Installation on Windows NT*..... 66

Chapter 5 Watchdog and Utilities 68

5.1 Watchdog Timer Configuration..... 68
5.1.1 *WDT Programming* 69
5.1.2 *How to Test the WDT?*..... 69
5.2 Hardware Doctor Utility 70
5.3 Intel Preboot Execution Environment (PXE) 71
5.4 PICMG 2.1 Hot Swap Support..... 72

Product Warranty/Service 75

Introduction

Thanks for choosing ADLINK's cPCI-6780 series product. This manual gives you information on the cPCI-6780 series CPU module. The information inside this manual can be applied to all series if without specified. The topics covered in this chapter are as follows:

- Checklist
- Descriptions
- Features
- Specifications
- Functional block diagram
- Mechanical outline drawing

1.1 Checklist

The cPCI-6780 series products are compliant with PICMG 2.0 CompactPCI specification with 6U dual-slot form factor. Both front panel I/O and rear panel I/O are supported by cPCI-6780 series products. It is not necessary to use the rear board if the application just requires only front panel I/O wiring or special backplane wiring. The front board (the CPU module) and the rear board (the rear I/O transition module) are sold separately. The standard models cPCI-6780TS, cPCI-6780VS and cPCI-6780V are front boards. And the standard models cPCI-R6780S and cPCI-R6780V are rear boards.

1.1.1 Front Board

Front board is the CPU module. There are three standard versions available for cPCI-6780 series module (please see section 1.2 and the model variations comparison table.) The default version does not include any CPU, RAM or HDD. However, the CPU module may be equipped with different speed or capacity of CPU, RAM, HDD by special request. Please check your configurations with your dealer and check that your package is complete and contains the items below. If you discover damaged or missing items, please contact with your dealer.

- The cPCI-6780 CPU module (May be equipped with different speed or capacity of CPU, RAM, HDD. Those items may vary according to the different configuration request)
- One CPU cooler (the CPU cooler will be pre-mounted if the module is equipped with CPU by special request)
- One 2.5" ATA HDD supporting frame (which is pre-mounted)
- One DB-44CFH removable CompactFlash socket adaptor (which is pre-mounted on the 2.5" ATA HDD supporting frame for the standard configuration delivery. The DB-44CFH may not be included if customer request pre-configuring 2.5" ATA HDD/Flash disk or by OEM project request.)
- One special designed 2.5" ATA HDD connection cable (which is pre-mounted)
- This User's Manual
- ADLINK CD

Note:

1. The package of cPCI-6780 OEM version (non-standard configuration, functionality, package or accessories) may vary according to the different configuration request.
 2. Please refer to ADLINK All-in-one CD for the BIOS setting instruction manual. User also can download the latest manual from ADLINK website, please visit: **www.adlinktech.com**
-

1.1.2 Rear Board

Rear board is the rear I/O transition module. Different rear board could provide different functional combination. There are four versions for cPCI-6780 series module, named cPCI-R6780S, R6780SA, R6780V and

R6780VA. The cPCI-R6780S and cPCI-R6780SA are designed for cPCI-6780TS or cPCI-6780VS. The cPCI-R6780V and cPCI-R6780VA are designed for cPCI-6780V. Please see section 1.2 and the model variations comparison table. Please check your package is complete and contains the items below. If you discover damaged or missing items, please contact with your dealer.

- The cPCI-R6780 rear I/O transition module
- This User's Manual
- Internal LVD Ultra-2 Wide SCSI cable. (Only in cPCI-R6780S, not available for cPCI-R6780SA, V or VA)

Note: The package of cPCI-R6780 OEM version (non-standard configuration, functionality, package or accessories) may vary according to the different configuration request.

1.2 Description

ADLINK cPCI-6780 is a powerful and flexible CompactPCI host slot processor board based on Intel Pentium III processor. This board is specially designed to add performance, memory and bandwidth to ADLINK's 6U CompactPCI platform for CTI and Telcom applications. It is also suitable for high-reliability embedded applications where performance and a rich feature set are mandatory.

cPCI-6780 series are a high performance 6U CompactPCI CPU module powered by Intel FC-PGA and FC-PGA2 Socket-370 Pentium III CPU or Intel Celeron CPU. The CPU module uses the latest Intel i815E chipset which supports processor front side bus (FSB) running at 133MHz and PC-133 DRAM up to 512MB, makes cPCI-6780 performs the best in its peer. Moreover, the Embedded Intel Architecture guarantees the long time availability.

The cPCI-6780 series with the rear I/O transition board (cPCI-R6780 series) provide standard I/Os including RS-232/422/485, USB, Printer Port, AGP-VGA, LCD (cPCI-6780TS with cPCI-R6780S), EIDE, SCSI (cPCI-6780VS and cPCI-6780TS with rear board), Triple Ethernets, removable CompactFlash socket and optional AC-97 audio interface. cPCI-6780 is designed to meet the needs of the applications which require high performance and high reliability. It is especially suitable for the broad band data and intelligent network switching, CTI server, semi-conductor equipment, military and medical application.

cPCI-6780 Model Variations Comparison Table

Model	cPCI-6780TS with cPCI-R6780S (or cPCI-R6780SA)	cPCI-6780VS with cPCI-R6780S (or cPCI-R6780SA)	cPCI-6780V with cPCI-R6780V (or cPCI-R6780VA)
Processor	Intel FC-PGA/ FC-PGA2 Celeron or Pentium-III	Intel FC-PGA/ FC-PGA2 Celeron or Pentium-III	Intel FC-PGA/ FC-PGA2 Celeron or Pentium-III
CPU FSB	66/100/133MHz	66/100/133MHz	66/100/133MHz
Chipset	Intel 815E (B-step)	Intel 815E (B-step)	Intel 815E (B-step)
Memory Size	up to 512MB	up to 512MB	up to 512MB
Memory Type	PC100/PC133 Unbuffered non-ECC 168-pin DIMM	PC100/PC133 Unbuffered non-ECC 168-pin DIMM	PC100/PC133 Unbuffered non-ECC 168-pin DIMM
Graphic	SMI SM721	Build-in 815E	Build-in 815E
Video Memory	Build-in SM721 4MB VRAM	Dynamic host sharing 10MB SDRAM with 4MB Display Cache	Dynamic host sharing 10MB SDRAM with 4MB Display Cache
TFT-LCD I/F	Yes	No	No
Serial Port	4 (one RS-232/422/485)	4 (one RS-232/422/485)	4 (one RS-232/422/485)
Parallel Port	2	2	2
USB	4	4	4
SCSI	LSI 53C895	LSI 53C895	No
Ethernet Port	3 Ports (Intel 82559 *2 + ICH2)	3 Ports (Intel 82559 *2 + ICH2)	3 Ports (Intel 82559 *2 + ICH2)
Audio	Optional (with cPCI-R6780SA)	Optional (with cPCI-R6780SA)	Optional (with cPCI-R6780VA)
EIDE	4 ATA-33/66/100 devices	4 ATA-33/66/100 devices	4 ATA-33/66/100 devices
FDD I/F	Yes	Yes	Yes
Flash Storage	Removable CompactFlash Socket or 2.5" Flash Drive	Removable CompactFlash Socket or 2.5" Flash Drive	Removable CompactFlash Socket or 2.5" Flash Drive

Table 1: cPCI-6780 model variations comparison table

Note: Please refer to the specification and peripheral connectivity table for more detail information.

1.3 Features

- PICMG 2.0 CompactPCI Specification R3.0 Compliant
- PICMG 2.1 CompactPCI Hot Swap Specification R2.0 Compliant
- Standard 6U form factor, 2-slot (8TE/HP) width
- Supports Socket-370 FC-PGA/FC-PGA2 Pentium-III/Celeron CPU running at FSB 66/100/133MHz
- Supports up to Socket-370 FC-PGA2 Pentium-III Tualatin CPU
- Three 168-pin DIMM socket supports up to 512MB PC-133/PC-100 un-buffered non-ECC SD-RAM
- Build-in housing for 2.5" low profile HDD
- Supports up to 4 USB ports, 4 serial ports, 2 parallel ports
- Supports 7 bus-master PCI devices on CompactPCI bus peripheral slots
- On-board high performance AGP 2x VGA display output with dynamic host sharing up to 10MB and 4MB display cache by build-in Intel 815E chipset VGA controller (for model cPCI-6780V/VS series)
- On-board high performance AGP 2x VGA/LCD display output by SMI SM721 controller (for model cPCI-6780TS series)
- Supports triple 10/100Mb Ethernet ports
- Supports Ultra-2 Wide SCSI by LSI SYM53C895 controller (not available for cPCI-6780V)
- Supports Intel pre-boot execution environment (PXE) for remote boot
- Supports rear I/O configuration
- Supports remote console
- Supports CompactFlash type-II socket via removable daughter board

Note: Please refer to the model variation comparison table for the supported functional features.

1.4 Specifications

General CompactPCI Features

- PCI Rev.2.1 compliant
- PICMG 2.0 CompactPCI Rev. 3.0 compliant.
- PICMG 2.1 CompactPCI Hot-swap specification Rev.2.0 compliant

Form Factor

- Standard 6U CompactPCI (front board size: 233.35mm x 160mm, rear board size: 233.35mm x 80mm, not incl. the 2.0mm Hard Metric connectors and the panel with ejectors)
- 2-slot (8TE/HP, 40.6mm) wide, incl. housing of 2.5" HDD

CPU/Cache

- Intel Socket 370 FC-PGA2 Pentium-III (Tualatin) with 512KB on-die L2 cache up to 1.26GHz at 133MHz FSB
- Intel Socket 370 FC-PGA Pentium-III with 256KB on-die L2 cache @ full core speed & 100/133MHz FSB
- Intel Socket 370 FC-PGA Celeron with 128KB on-die L2 cache @ full core speed & 66/100MHz FSB

Note: According to Intel's spec of FC-PGA and FC-PGA2, the thermal concerns of higher speed CPU, we don't suggest user to choose the CPU speed higher than the speed limitation on the following environment temperature (the temperature of ventilation air flow):

T _{air-flow}	Max CPU speed/Type
60 °C	700MHz FC-PGA Pentium-III/Celeron, FSB 100MHz 733MHz FC-PGA Pentium-III, FSB 133MHz
55 °C	850MHz FC-PGA Pentium-III/Celeron, FSB 100MHz 866MHz FC-PGA Pentium-III, FSB 133MHz
50 °C*	1.26 GHz FC-PGA2 Tualatin, FSB 133 MHz; 1.0 GHz FC-PGA Pentium-III, FSB 133 MHz; 1.2 GHz FC-PGA Celeron, FSB 100 MHz

Please refer Intel's web site <http://developer.intel.com> for detail information about the processors of Embedded Intel Architecture for applied computing.

*Must use with special designed thermal module for cPCI-6780 series to achieve the highest operating environment temperature limitation with maximum CPU speed.

Chipset

- Intel 815E B-stepping with ICH2

BIOS: Award PnP BIOS

- BIOS write protection, provide anti-virus capability
- On-board Ethernet and SCSI function disable selectable
- On-board VGA function disable selectable (only for cPCI-6780TS)
- Customized power-on screen (for big quantity OEM project)
- DMI BIOS Support: Desktop Management Interface (DMI) allows users to download system hardware-level information such as CPU type, CPU speed, internal/external frequencies and memory size
- Green Function: Power management via BIOS, activated through mouse/keyboard movement.
- Remote Console: setup console redirection to serial port (terminal mode) with CMOS setup access

Host Memory

- Three 168-pin DIMM sockets, Max. 512MB un-buffered PC-133 or PC-100 SDRAM

IDE Ports

- Bus Master IDE controller supports two EIDE interfaces by J3 and J5 rear I/O for up to four IDE devices, including HDD and ATAPI CD-ROM drives. Pin assignments on cPCI J3 and J5 support IDE direct connection feature on cBP-6108 Rev. B1 or later version
- One 44-pin Primary EIDE connector on front CPU module, supports on-board 2.5" notebook size HDD or Flash2000™ flash disk
- Two 40-pin EIDE connectors on rear transition module supports PIO Mode 3/4 and Ultra DMA/33 IDE devices
- One CompactFlash type-II socket on removable transition daughter board for front CPU module

On Board Super I/O

- Winbond W83627HF and W83627F

- Supports up to two high-speed bi-directional SPP/EPP/ECP parallel ports with ESD protection to 4KV and downstream device protection to 30V. Primary port is on front CPU module, secondary port on rear transition module
- One floppy interface by J3 rear I/O, support two floppy drives (360KB, 720KB, 1.2MB, 1.44MB, 2.88MB.) One 34-pin floppy connector is available on rear I/O transition module
- Pin assignments on cPCI J3 support FDD direct connection feature on cBP-6108 Rev. B1 or later version
- Two 16C550 UARTs compatible RS-232 COM ports with ESD protection to 2KV on front CPU module
- Expandable one 16C550 UARTs compatible RS-232 COM ports with ESD protection to 2KV and one RS-232/422/485/485+ selectable serial port by using of rear transition module

USB Interface

- Supports up to four USB ports, two ports on front CPU module, the other two ports on rear I/O transition module
- USB Specification Rev. 1.1. compliant
- Individual over-current protection

Watch-dog Timer

- Programmable I/O port 2Eh and 2Fh to configure watchdog timer, programmable timer 1~255 seconds or 1~255 minutes
- Bundled easy-programming library for DOS, Windows 95, 98, NT

Hardware Monitoring

- Winbond W83782D built in W83627HF, monitoring CPU temperature, CPU fan, system temperature and DC Voltages

On-board VGA Display (available for cPCI-6780V or VS series)

- Intel 815E built-in hyper-pipelined architecture 3D graphics engine
- AGP 2X, ACPI and VESA compliant
- Supports video memory up to 10MB shared with host memory dynamically allocated by driver
- On-board 4MB display cache for optimized Intel 815E chipset performance
- Supports up to 1600x1200 resolution

- Supports VGA rear I/O

On-board Extend VGA/LCD Display (only available for cPCI-6780TS)

- AGP 2x VGA/LCD controller SMI Lynx3DM SM721, with build-in 4M VRAM (8M VRAM available for big quantity OEM project)
- VGA display on both front and rear I/O transition module faceplate, 24-bit RGB-TFT LCD connector on rear I/O transition module
- High performance, 128-bit, single clock cycle 2D drawing engine
- High performance, power managed 3D acceleration engine
- AGP 2x, ACPI, VESA DPMS and VESA DDC 2b compliant
- Supports up to 1280x1024 VGA display resolution with 24-bit true color, non-interlaced
- Optional supports up to 1600x1200 VGA display resolution with 16-bit high color, non-interlaced under Windows NT only.
- Dual display and simultaneous display for VGA and LCD
- RAMDAC Latch-up protection
- Driver supporting: Windows 95/98/ME/NT/2000, Linux, OS/2

Note: 1600x1200 VGA display resolution needs special modified BIOS. This BIOS is only compatible with Windows NT and it might cause incompatibility issues with other OS.

On-board Ethernet supporting

- Two Ethernet ports on front CPU module featuring by two Intel 82559 Ethernet controllers
- One Ethernet port on rear transition module featuring by Intel 815E chipset build-in ICH2 Ethernet controller
- IEEE 802.3 10Base-T and 100Base-TX compatible
- IEEE 802.3u Auto-negotiation support
- IEEE 802.3x 100Base-TX flow control support
- Full duplex support at both 10 and 100 Mbps operation

On-board SCSI (Feature is available for cPCI-6780VS and TS, rear I/O module is required)

- LSI (SYMBIOS) 53C895 Ultra 2 Wide SCSI controller featuring LVD by J4 rear I/O

Audio Extension (Only for big quantity OEM project)

- Single channel AC-97 digital audio interface reserved by J5 rear I/O
- Optional AC-97 audio codec daughter board on rear I/O transition module
- Supports line-in, line-out and microphone jacks on AC-97 daughter board

PCI Bus Bridge

- TI PCI2050 transparent PCI to PCI bridge
- Supports up to 7 PCI bus mastering devices on CompactPCI bus peripheral slots

OS Compatibility

- MS-DOS 6.2+, Windows 95/98/ME, Windows NT 4.0, Windows 2000, Red Hat Linux 7.0 and VxWorks

Flash Disk Supporting

- Support CompactFlash type-II socket on front CPU module by removable transition daughter board
- On-board housing for Flash2000™ 2.5" flash disk on front CPU module
- Disk-On-Module via 40-pin IDE ports of rear I/O transition module

Front Panel LEDs and switch

- Power status (green)
- IDE activity indicator (amber)
- Ethernet port 1&2: 10/100Mb (amber), activity (green)
- SCSI activity (amber), LVD/SE indicators (green)
- Flush tact switch for system reset

Environment

- Operating temperature: 0 to 60°C ^(Note1)
- Storage temperature: -20 to 80°C
- Humidity: 5% to 95% non-condensed
- Shock: 15G peak-to-peak, 11ms duration, non-operation
- Vibration: ^(Note2)
 - ✓ Non-operation: 1.88Grms, 5-500Hz, each axis

- ✓ Operation: 0.5Grms, 5-500Hz, each axis, with 2.5" HDD

Note:

1. Due to the environment limitations are different from one component to another component, please refer to the component specification when user wish to mount CPU or HDD into cPCI-6780. The operating temperature was tested when the HDD is cabling outside the testing chamber, also with the FC-PGA Socket-370 Pentium-III 700MHz CPU. The operating temperature will be limited by the CPU according to Intel's CPU spec, not limited by cPCI-6780 card. Please refer to the CPU items in this section.
 2. The vibration limitation of operation is caused by 2.5" ATA HDD. If customer will deploy cPCI-6780 into high vibration environment, we suggest user to adopt Flash2000 Flash Disk (FFD series) or CompactFlash Card to replace the usage of 2.5" ATA HDD.
-

Safety Certificate and Test

- CE, FCC class B
- HALT (temperature and vibration stress)

Power Consumption

Configurations	+5V	+3.3V	+12V	-12V
Pentium III 1.0 GHz 512MB with cPCI-R6780S	5.88A	3.76A	270mA	120mA

Note: The above values are the measured power consumption for SBC with CPU, CPU cooler and RAM only; the CPU is running under 100% loading. The powers for all the other peripheral devices such as add-on cards, HDD, or CD-ROM are not included.

Peripheral Connectivity

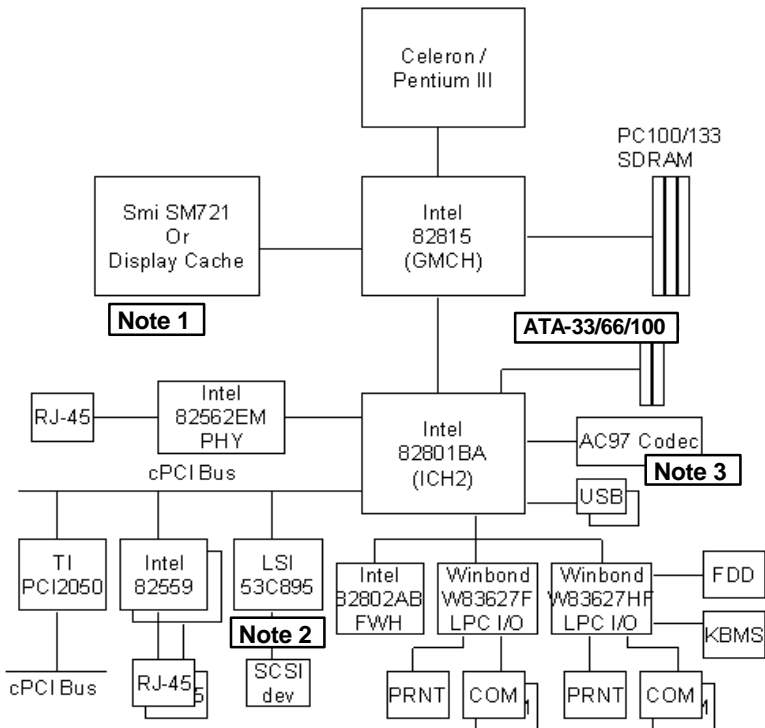
I/O	Front		Rear ^(Note 1,2)	
	Face plate	On-board	Board	Face plate
Serial Port (COM1)	Y (DB-9)	---	---	---
Serial Port (COM2)	Y (DB-9)	---	---	---
Serial Port (COM3)	---	---	---	Y (J3, DB-9)
Serial Port (COM4, RS-232/422/485)	---	---	---	Y (J3, DB-9)
Parallel Port 1	Y (DB-25)	---	---	---
Parallel Port 2	---	---	---	Y (J3, DB-25)
PS/2 Keyboard	Y (PS/2)	---	---	Y (J3, PS/2)
PS/2 Mouse	Y (PS/2)	---	---	Y (J3, PS/2)
Floppy	---	---	Y (J3, 34-pin)	---
Ultra DMA 33 IDE 1	---	Y (44-pin)	Y (J3, 40-pin)	---
Ultra DMA 33 IDE 2	---	---	Y (J5, 40-pin)	---
USB A/B	Y	---	---	---
USB C/D	---	---	---	Y (J5)
Speaker	---	---	Y (J3, 2-pin)	---
VGA	Y (DB-15)	---	---	Y (J5, DB-15)
24-bit TFT LCD (cPCI-6780TS only)	---	---	Y (J2, 44-pin)	---
Fast Ethernet Port 1 (Front)	Y (RJ-45)	---	---	---
Fast Ethernet Port 2 (Front)	Y (RJ-45)	---	---	---
Fast Ethernet Port 3 (Rear)	---	---	---	Y (J5, RJ-45)
Ultra 2 wide SCSI (cPCI-6780TS and VS only)	---	---	Y (J4, HD-68)	Y (J4, HD-68)
LEDs	Y	---	---	---
Reset button	Y	---	---	---
CompactFlash (via daughter board, optional)	---	Y (CF-II)	---	---
AC-97 audio (when using with cPCI-R6780SA and cPCI-R6780VA)	---	---	---	---

Table 2: Peripheral Connectivity of cPCI-6780 series

Note:

1. Please use the proper rear I/O transition module to enable the functions (I/O interfaces) on rear side. The board or system will be damaged if use the improper rear I/O transition module.
2. ADLINK recommends to use cPCI-R6780S (or cPCI-R6780SA) as the rear I/O transition module for cPCI-6780TS and cPCI-6780VS. To use cPCI-R6780V (or cPCI-R6780VA) as the rear I/O transition module for cPCI-6780V.

1.5 Functional Block Diagram

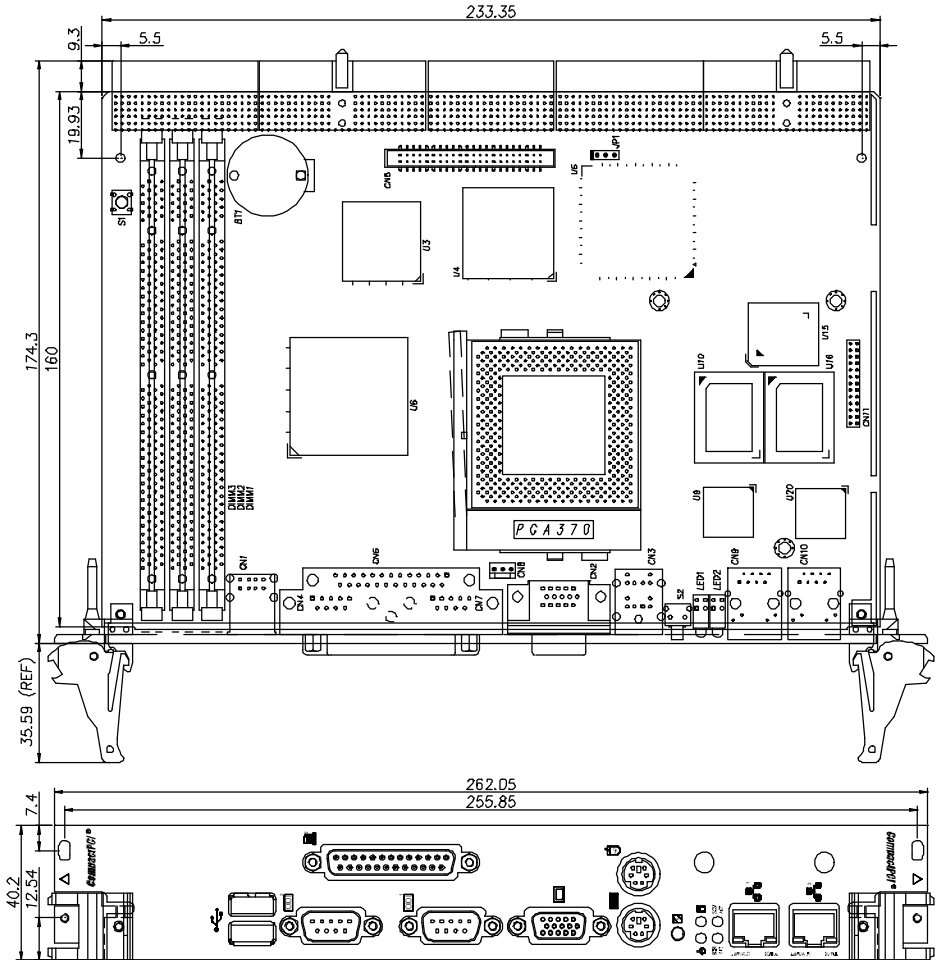


Note:

1. For cPCI-6780TS, SMI SM721 VGA/LCD controller. For cPCI-6780VS and 6780V, 4MB Display cache.
 2. There is no LSI 53C895 on cPCI-6780V.
 3. AC97 compliant audio features are available on cPCI-R6780SA and cPCI-R6780VA.
-

1.6 Mechanical outline drawing

1.6.1 Outline drawing for cPCI-6780 series front board



2

Jumpers and Connectors

This chapter provides information on how to use the jumpers and connectors on the cPCI-6780 in order to set up a workable system. We also describe the meaning of each LED indicators. The topics covered are:

- Jumpers on the cPCI-6780 and cPCI-R6780
- Connectors on the cPCI-6780 and cPCI-R6780
- LED indicators on the cPCI-6780 and cPCI-R6780

2.1 Jumpers on the cPCI-6780 and cPCI-R6780

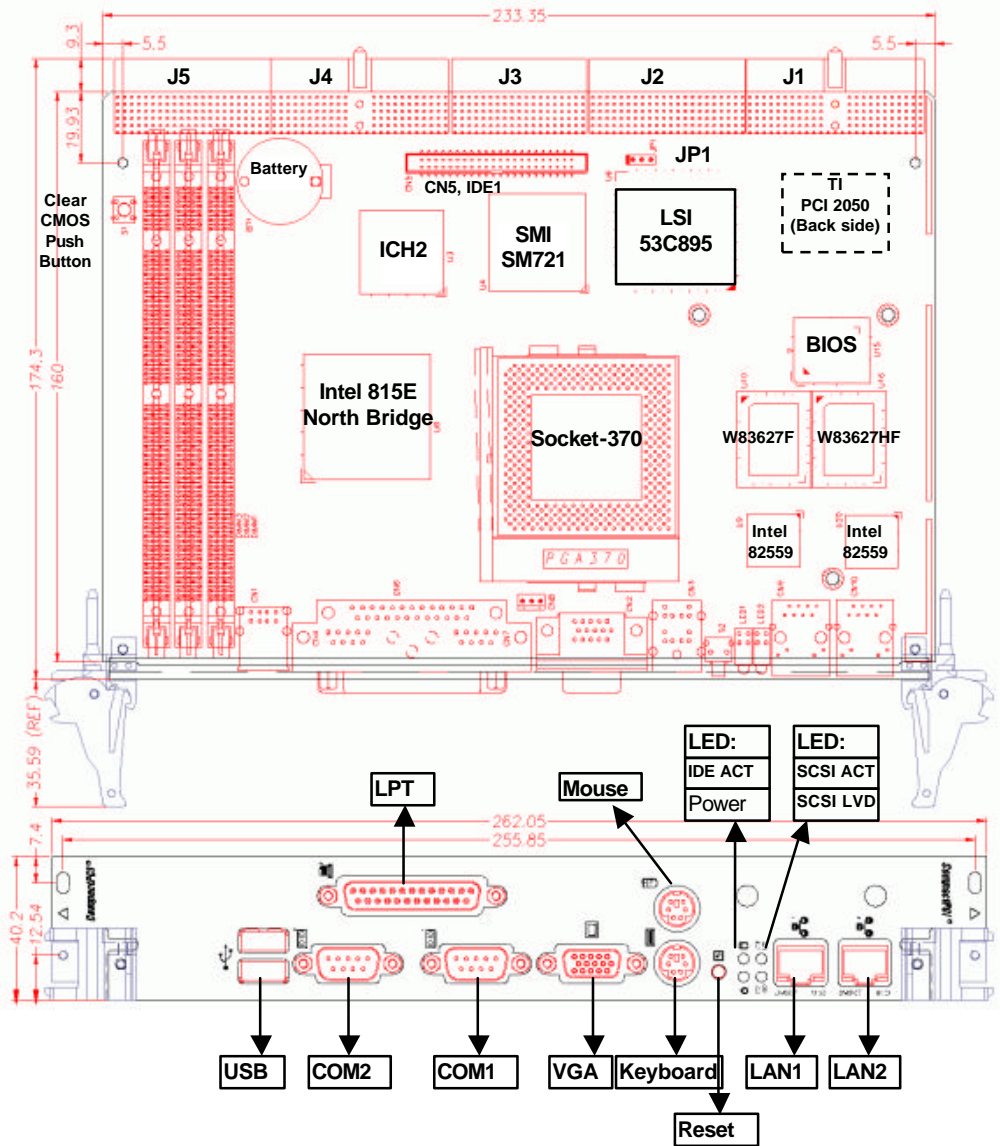
The jumpers on the cPCI-6780 front board or cPCI-R6780 rear board allow you to configure your CPU module according to the needs of your applications. If you have doubts about the best jumper configuration for your needs, contact your dealer or sales representative. The following table lists the jumper connectors on cPCI-6780 or cPCI-R6780 and their respective functions.

Board	Connector	Description
cPCI-6780	JP1	Flat Panel Voltage Selection
cPCI-R6780	JP1, JP2, JP3	Select COM2 Type

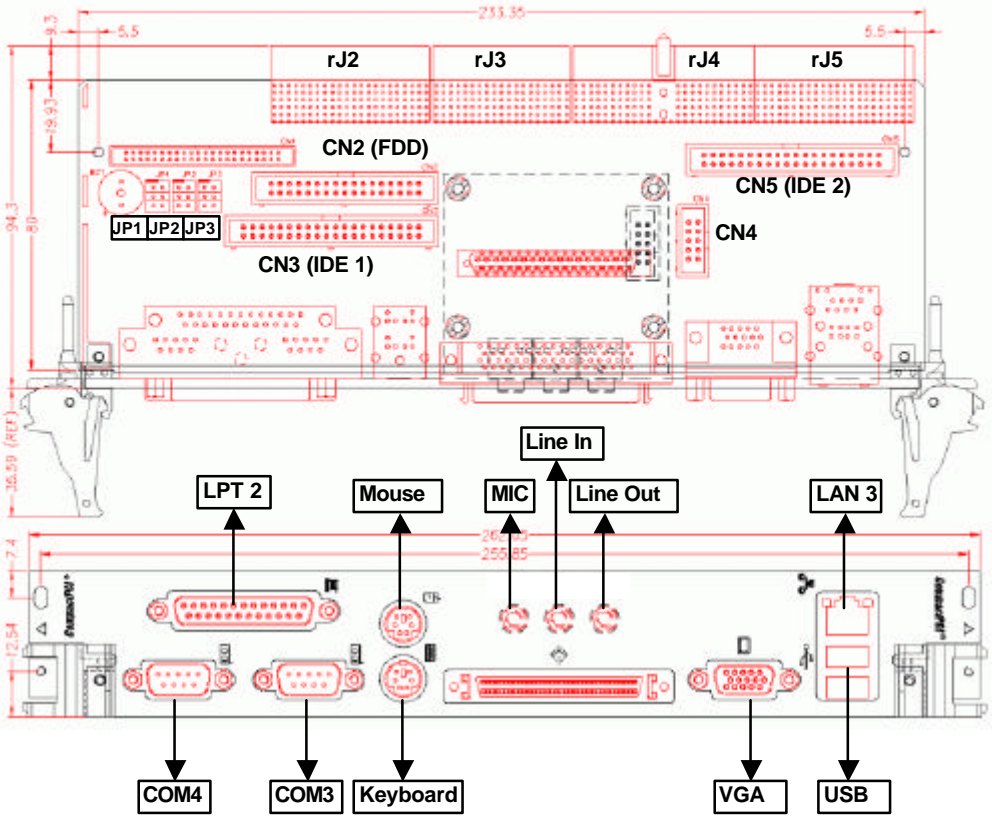
Table 3: cPCI-6780 and cPCI-R6780 jumper list

Note: There is no jumper for front side bus (FSB) and CPU speed selection. The FSB and CPU speed are set by auto-detection.

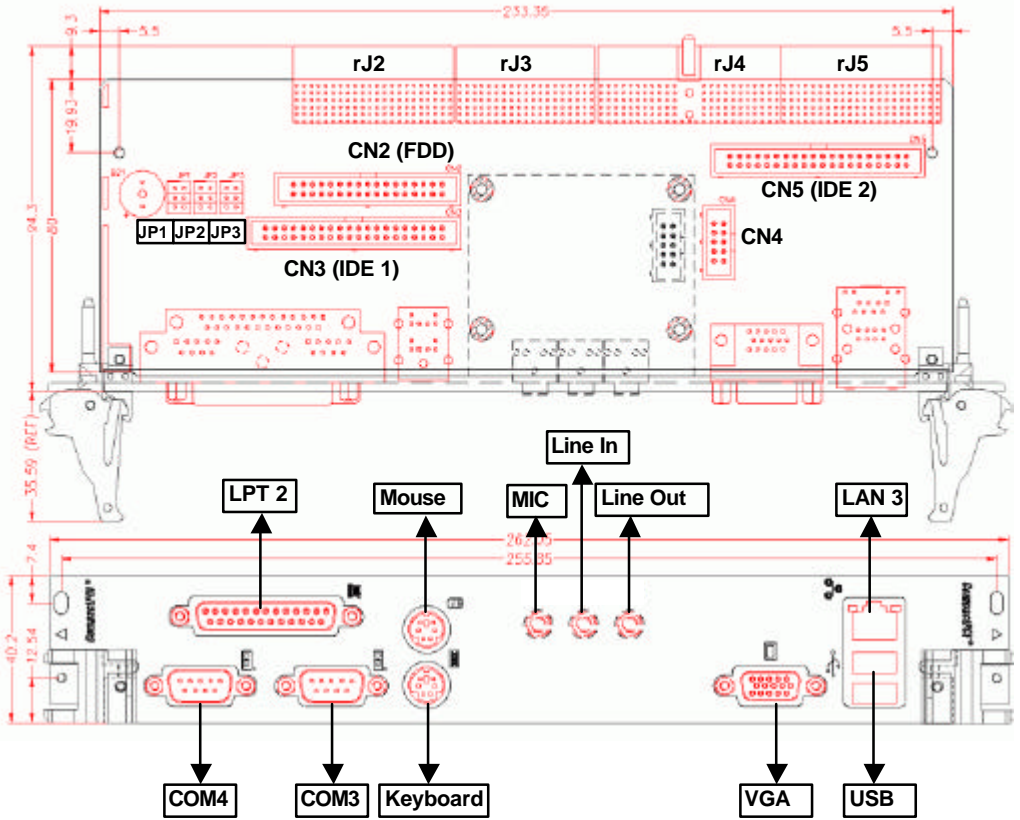
Jumpers and connectors map of cPCI-6780 series board



Jumpers and connectors map of cPCI-R6780S or cPCI-R6780SA board



Jumpers and connectors map of cPCI-R6780V or cPCI-R6780VA board



2.1.1 JP1 on cPCI-6780(TS only)

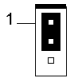
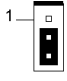
JP1	LCD Power	Setting
1-2	+3.3V (Default)	
2-3	+5V	

Table 4: JP1 LCD Power Setting

2.1.2 JP1, 2, 3 on cPCI-R6780S, R6780SA, R6780V and R6780VA

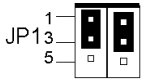
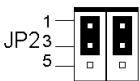
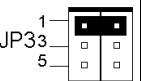
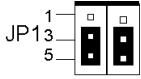
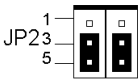
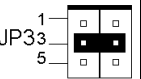
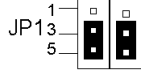
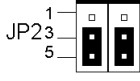
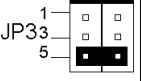
JP1	JP2	JP3	Function	Setting
1-3, 2-4	1-3, 2-4	1-2	RS-232 (Default)	  
3-5, 4-6	3-5, 4-6	3-4	RS-422	  
3-5, 4-6	3-5, 4-6	5-6	RS-485	  


Table 5: JP1, 2, 3 Serial Port COM4 Setting

2.2 Connectors on the cPCI-6780

The connectors on the cPCI-6780 front board and cPCI-R6780 rear board allows you to connect devices such as keyboard, mouse, printer and internal floppy disk drives, hard disk drives, etc. The following information lists the connectors on cPCI-6780 and cPCI-R6780 and their respective functions.

2.2.1	<i>Keyboard and Mouse Connector</i>	24
2.2.2	<i>Ethernet Connectors</i>	24
2.2.3	<i>Serial Port Connectors</i>	24
2.2.4	<i>Parallel Port Connectors</i>	25
2.2.5	<i>VGA Connector</i>	25
2.2.6	<i>USB Connectors</i>	26
2.2.7	<i>IDE Connectors (44-pin)</i>	27
2.2.8	<i>IDE Connectors (40-pin)</i>	28
2.2.9	<i>SCSI Connectors</i>	29
2.2.10	<i>FDD Connector</i>	30
2.2.11	<i>AC97 Audio Interface Connectors</i>	30
2.2.12	<i>Audio Jacks (Optional, with DB-AC97S board)</i>	31
2.2.13	<i>FAN Connector</i>	31
2.2.14	<i>CompactPCI J1 Pin Assignments</i>	32
2.2.15	<i>CompactPCI J2 Pin Assignments</i>	33
2.2.16	<i>CompactPCI J3 Pin Assignments</i>	34
2.2.17	<i>CompactPCI J4 Pin Assignments</i>	35
2.2.18	<i>CompactPCI J5 Pin Assignments</i>	36

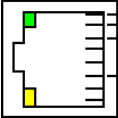
2.2.1 Keyboard and Mouse Connector



Pin #	Down side Signal Name	Up side Signal Name
1	Keyboard data	Mouse data
2	N.C.	N.C.
3	GND	GND
4	5V	5V
5	Keyboard Clock	Mouse Clock
6	N.C.	N.C.

Table 6: Keyboard/Mouse Connector CN3 on cPCI-6780 front board and CN9 on cPCI-R6780 rear board

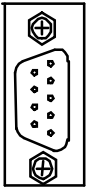
2.2.2 Ethernet Connectors



Pin #	Signal Name
1	TD+
2	TD-
3	RD+
6	RD-

Table 7: Ethernet Connector CN9 (LAN1) and CN10 (LAN2) on cPCI-6780 front board and CN11 (LAN3) on cPCI-R6780 rear board

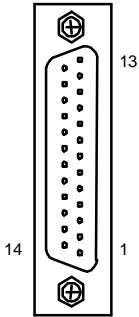
2.2.3 Serial Port Connectors



Pin #	RS-232 Signal	RS-422	RS-485
1	DCD, Data carrier detect	TX-	DATA-
2	RXD, Receive data	TX+	DATA+
3	TXD, Transmit data	RX+	
4	DTR, Data terminal ready	RX-	
5	GND, ground	GND	
6	DSR, Data set ready		
7	RTS, Request to send		
8	CTS, Clear to send		
9	RI, Ring indicator		

Table 8: Serial Ports CN7 (COM1), CN4 (COM2) on cPCI-6780 front board and CN8 (COM3), CN7 (COM4) on cPCI-R7680 rear board (Only COM4 on rear board supports RS-232/RS-422/RS-485 mode.)

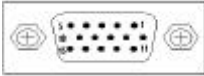
2.2.4 Parallel Port Connectors



Signal Name	Pin #	Pin #	Signal Name
Line printer strobe	1	14	AutoFeed
PD0, parallel data 0	2	15	Error
PD1, parallel data 1	3	16	Initialize
PD2, parallel data 2	4	17	Select
PD3, parallel data 3	5	18	Ground
PD4, parallel data 4	6	19	Ground
PD5, parallel data 5	7	20	Ground
PD6, parallel data 6	8	21	Ground
PD7, parallel data 7	9	22	Ground
ACK, acknowledge	10	23	Ground
Busy	11	24	Ground
Paper empty	12	25	Ground
Select	13	N/A	N/A

Table 9: Parallel Ports CN6 (LPT1) on cPCI-6780 front board and CN6 (LPT2) on cPCI-R7680 rear board

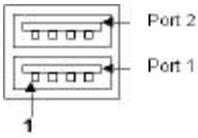
2.2.5 VGA Connector



Signal Name	Pin	Pin	Signal Name
Red	1	2	Green
Blue	3	4	N.C.
GND	5	6	GND
GND	7	8	GND
N.C.	9	10	GND
N.C.	11	12	N.C.
HSYNC	13	14	VSYNC
NC	15		

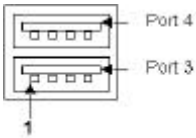
Table 10: VGA Connector CN2 on cPCI-6780 and CN12 on cPCI-R6780

2.2.6 USB Connectors



Pin #	Signal Name
1	Vcc
2	USB-
3	USB+
4	Ground

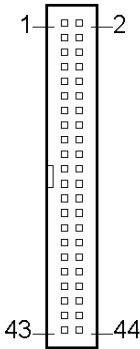
Table 11: USB Connector CN1 (Port 1 and Port 2) on cPCI-6780 front board



Pin #	Signal Name
1	Vcc
2	USB-
3	USB+
4	Ground

Table 12: USB Connector CN11 (Port 3 and Port 4) on cPCI-R6780 rear board

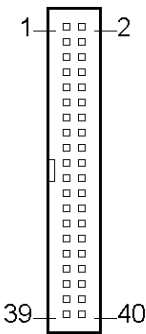
2.2.7 IDE Connectors (44-pin)



Signal	Pin #	Pin #	Signal
RESET-	1	2	Ground
DD7	3	4	DD8
DD6	5	6	DD9
DD5	7	8	DD10
DD4	9	10	DD11
DD3	11	12	DD12
DD2	13	14	DD13
DD1	15	16	DD14
DD0	17	18	DD15
Ground	19	20	(keypin)
DMARQ	21	22	Ground
DIOW-	23	24	Ground
DIOR-	25	26	Ground
IORDY	27	28	CSEL
DMACK-	29	30	Ground
INTRQ	31	32	reserved
DA1	33	34	PDIAG-
DA0	35	36	DA2
CS0-	37	38	CS1-
DASP-	39	40	Ground
+5V	41	42	+5V
Ground	43	44	TYPE-

Table 13: Primary IDE channel CN5 on cPCI-6780 front board

2.2.8 IDE Connectors (40-pin)

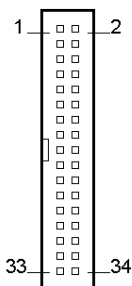


The diagram shows a vertical 40-pin connector with pins numbered 1 to 40. Pin 1 is at the top left, pin 2 is at the top right, pin 39 is at the bottom left, and pin 40 is at the bottom right. A small notch is visible between pins 17 and 18.

Signal	Pin #	Pin #	Signal
RESET-	1	2	Ground
DD7	3	4	DD8
DD6	5	6	DD9
DD5	7	8	DD10
DD4	9	10	DD11
DD3	11	12	DD12
DD2	13	14	DD13
DD1	15	16	DD14
DD0	17	18	DD15
Ground	19	20	(keypin)
DMARQ	21	22	Ground
DIOW-	23	24	Ground
DIOR-	25	26	Ground
IORDY	27	28	CSEL
DMACK-	29	30	Ground
INTRQ	31	32	reserved
DA1	33	34	PDIAG-
DA0	35	36	DA2
CS0-	37	38	CS1-
DASP-	39	40	Ground

Table 14: Primary IDE channel CN3 and secondary IDE channel CN5 on cPCI-R6780 rear board

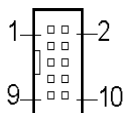
2.2.10 FDD Connector



Signal	Pin #	Pin #	Signal
Ground	1	2	DRV DEN0
Ground	3	4	NC
NC	5	6	DRV DEN1
Ground	7	8	INDEX#
Ground	9	10	MTR0#
Ground	11	12	DS1#
Ground	13	14	DS0#
Ground	15	16	MTR1#
Ground	17	18	FDIR#
Ground	19	20	STEP#
Ground	21	22	WDATA#
Ground	23	24	WGATE#
Ground	25	26	TRACK0#
Ground	27	28	WPT#
Ground	29	30	RDATA#
Ground	31	32	HDSEL#
Ground	33	34	DSKCHG#

Table 16: FDD Connector CN2 on cPCI-R6780

2.2.11 AC97 Audio Interface Connectors



Pin #	Signal Name
1	Ground
2	AC_BITCLK
3	Ground
4	AC_SDINO
5	+5V
6	AC_SDOOUT
7	+5V
8	AC_SDIN1
9	AC_SYNC
10	AC_RESET#

Table 17: AC'97 Interface CN4 on cPCI-R6780 for AC'97 daughter board connection

2.2.12 Audio Jacks (Optional, with DB-AC97S board)



Jack	Signal Name
PINK	MIC IN
BLUE	LINE IN
GREEN	LINE OUT

Table 18: Audio Jacks on the rear panel (cPCI-R6780SA and cPCI-R6780VA)

2.2.13 FAN Connector



Pin #	Signal Name
1	Ground
2	+12V
3	Rotation

Table 19: FAN Connector CN8 on cPCI-6780

2.2.14 CompactPCI J1 Pin Assignments

Pin	Z	A	B	C	D	E	F
25	GND	+5V	REQ64#	ENUM#	+3.3V	+5V	GND
24	GND	AD[1]	+5V	V(I/O)	AD[0]	ACK64#	GND
23	GND	+3.3V	AD[4]	AD[3]	+5V	AD[2]	GND
22	GND	AD[7]	GND	+3.3V	AD[6]	AD[5]	GND
21	GND	+3.3V	AD[9]	AD[8]	GND	C/BE[0]#	GND
20	GND	AD[12]	GND	V(I/O)	AD[11]	AD[10]	GND
19	GND	+3.3V	AD[15]	AD[14]	GND	AD[13]	GND
18	GND	SERR#	GND	+3.3V	PAR	C/BE[1]#	GND
17	GND	+3.3V	IPMB_SCL	IPMB_SDA	GND	PERR#	GND
16	GND	DEVSEL#	GND	V(I/O)	STOP#	LOCK#	GND
15	GND	+3.3V	FRAME#	IRDY#	GND	TRDY#	GND
12-14	Key						
11	GND	AD[18]	AD[17]	AD[16]	GND	C/BE[2]#	GND
10	GND	AD[21]	GND	+3.3V	AD[20]	AD[19]	GND
9	GND	C/BE[3]#	GND	AD[23]	GND	AD[22]	GND
8	GND	AD[26]	GND	V(I/O)	AD[25]	AD[24]	GND
7	GND	AD[30]	AD[29]	AD[28]	GND	AD[27]	GND
6	GND	REQ#	GND	+3.3V	CLK	AD[31]	GND
5	GND	BRSVP1A5	BRSVP1B5	PCIRST#	GND	GNT#	GND
4	GND	IPMB_PWR	HEALTHY#	V(I/O)	INTP	INTS	GND
3	GND	INTA#	INTB#	INTC#	+5V	INTD#	GND
2	GND	TCK	+5V	TMS	TDO	TDI	GND
1	GND	+5V	-12V	TRST#	+12V	+5V	GND
Pin	Z	A	B	C	D	E	F

Table 20: CompactPCI J1 pin assignments

2.2.15 CompactPCI J2 Pin Assignments

Pin	Z	A	B	C	D	E	F
22	GND	GA4 (PXI_RSVA22)	GA3 (PXI_RSVB22)	GA2 (PXI_RSVC22)	GA1 (PXI_RSVD22)	GA0 (PXI_RSVE22)	GND
21	GND	CLK6	GND	Reserved	Reserved	Reserved	GND
20	GND	CLK5	GND	Reserved	GND	Reserved	GND
19	GND	GND	GND	Reserved (ICMB_SDA)	Reserved (ICMB_SCL)	Reserved (ICMB_PWR)	GND
18	GND	Reserved (PXI_TRIG3)	Reserved (PXI_TRIG4)	Reserved (PXI_TRIG5)	GND	Reserved (PXI_TRIG6)	GND
17	GND	Reserved (PXI_TRIG2)	GND	PRST#	REQ6#	GNT6#	GND
16	GND	Reserved (PXI_TRIG1)	Reserved (PXI_TRIG0)	DEG#	GND	Reserved (PXI_TRIG7)	GND
15	GND	Reserved (PXI_BRVA15)	GND	FAL#	REQ5#	GNT5#	GND
14	GND	FPVDD(3/5V)	SHFCLK	ENFPVDD	GND	Reserved	GND
13	GND	FPD12	GND	V(I/O)	Reserved	Reserved	GND
12	GND	+12VFP	FPVEE(3V)	FLM	GND	M/DE	GND
11	GND	LP	GND	V(I/O)	FPD17	BIASEN	GND
10	GND	FPD11	FPD13	FPD15	GND	ENBKL	GND
9	GND	FPD9	GND	V(I/O)	FPD10	FPD23	GND
8	GND	FPD7	FPD14	FPD20	GND	FPD21	GND
7	GND	FPD4	GND	V(I/O)	FPD8	FPD19	GND
6	GND	FPD2	FPD16	FPD22	GND	FPD5	GND
5	GND	FPD0	GND	V(I/O)	FPD6	FPD3	GND
4	GND	V(I/O)	Reserved (PXI_BRVB4)	FPD18	GND	FPD1	GND
3	GND	CLK4	GND	GNT3#	REQ4#	GNT4#	GND
2	GND	CLK2	CLK3	SYSEN#	GNT2#	REQ3#	GND
1	GND	CLK1	GND	REQ1#	GNT1#	REQ2#	GND
Pin	Z	A	B	C	D	E	F

Table 21: CompactPCI J2 Pin Assignments

2.2.16 CompactPCI J3 Pin Assignments

Pin	Z	A	B	C	D	E	F
19	GND	PDRST#	PDCS16#	PDIORDY	-12V	PDIRQ14	GND
18	GND	PDACT#	Reserved	PDCS3#	PDCS1#	PPDIAG	GND
17	GND	PDD15	PDD14	PDD13	PDD12	Reserved	GND
16	GND	PDD11	PDD10	PDD9	PDD8	PDDACK#	GND
15	GND	PDA0	PDA1	+5V	PDA2	PDDREQ	GND
14	GND	PDD7	PDD6	PDD5	PDD4	PDIOW#	GND
13	GND	PDD3	PDD2	PDD1	PDD0	PDIOR#	GND
12	GND	DS0#	DRV DEN1	MTR0#	INDEX#	WDATA#	GND
11	GND	DS1#	DSKCHG#	MTR1#	DRV DEN0	RDATA#	GND
10	GND	WRTPRT#	HDSEL#	FDIR#	TRACK0#	STEP#	GND
9	GND	WGATE#	ERRORP#	AUTOFD#	PBUSY	Reserved	GND
8	GND	PE	SLCTIN#	+5V	PSTROB#	Reserved	GND
7	GND	PPD7	PPD6	PPD5	PPD4	PINIT#	GND
6	GND	PPD3	PPD2	PPD1	PPD0	PACK#	GND
5	GND	Reserved	MSDATA	PCBEEP	KBDATA	SLCT	GND
4	GND	Reserved	MSCLK	+5V	KBCLK	RXD3	GND
3	GND	CTS3#	RTS3#	DSR3#	DCD3#	TXD3	GND
2	GND	RI4#	DTR4#	RI3#	DTR3#	RXD4	GND
1	GND	CTS4#	RTS4#	DSR4#	DCD4#	TXD4	GND
Pin	Z	A	B	C	D	E	F

Table 22: CompactPCI J3 pin assignments

2.2.17 CompactPCI J4 Pin Assignments

Pin	Z	A	B	C	D	E	F
25	GND	+5V	SD12+	SD12-	Reserved	+5V	GND
24	GND	SD14-	+5V	Reserved	SD13+	SD13-	GND
23	GND	Reserved	SD14+	SD15+	+5V	SD15-	GND
22	GND	SD0+	GND	Reserved	SDP1-	SDP1+	GND
21	GND	Reserved	SD0-	SD1-	Reserved	SD1+	GND
20	GND	SD3+	GND	Reserved	SD2-	SD2+	GND
19	GND	Reserved	SD3-	SD4-	GND	SD4+	GND
18	GND	SD6+	GND	Reserved	SD5-	SD5+	GND
17	GND	Reserved	SD6-	SD7-	GND	SD7+	GND
16	GND	SEN_EX	GND	DIFFSEN	SDP0-	SDP0+	GND
15	GND	Reserved	SATN-	SATN+	+5V TERM	+5V TERM	GND
12-14	Key						
11	GND	SACK-	SACK+	SBSY-	GND	SBSY+	GND
10	GND	SMSG+	GND	Reserved	SRST-	SRST+	GND
9	GND	SMSG-	GND	SSEL-	GND	SSEL+	GND
8	GND	SREQ+	GND	Reserved	SCD-	SCD+	GND
7	GND	SREQ-	SIO-	SIO+	GND	SD8+	GND
6	GND	SD10+	GND	Reserved	SD9+	SD8-	GND
5	GND	SD10-	SD11-	SD11+	GND	SD9-	GND
4	GND	Reserved	Reserved	Reserved	Reserved	Reserved	GND
3	GND	Reserved	Reserved	GREEN	+5V	RED	GND
2	GND	DDCSCL	+5V	DDCSDA	VSYNC	BLUE	GND
1	GND	+5V	Reserved	HSYNC	Reserved	+5V	GND
Pin	Z	A	B	C	D	E	F

Table 23: CompactPCI J4 pin assignments

2.2.18 CompactPCI J5 Pin Assignments

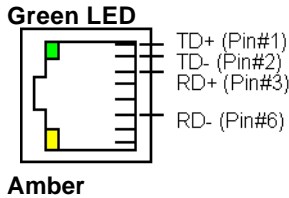
Pin	Z	A	B	C	D	E	F
22	GND	Reserved	Reserved	Reserved	Reserved	Reserved	GND
21	GND	Reserved	GND	+5V	+5V	+5V	GND
20	GND	Reserved	GND	SDD7	GND	SIDERST#	GND
19	GND	GND	GND	SDD9	SDD6	SDD8	GND
18	GND	SDD4	SDD11	SDD10	GND	SDD5	GND
17	GND	SDD12	GND	Reserved	Reserved	Reserved	GND
16	GND	SDD3	SDD13	Reserved	GND	SDD2	GND
15	GND	SDD1	GND	Reserved	Reserved	Reserved	GND
14	GND	SDDREQ	SDD14	SDD0	GND	SDD15	GND
13	GND	SDIORDY	GND	Reserved	SDIOW#	SDIOR#	GND
12	GND	SPDIAG	SDCS16#	SDDACK#	GND	SDIRQ15	GND
11	GND	SDA0	GND	Reserved	SDA2	SDA1	GND
10	GND	Reserved	SDACT#	SDCS3#	GND	SDCS1#	GND
9	GND	AC_SDIN1	GND	Reserved	AC_SDOUT	AC_BITCLK	GND
8	GND	OC3#	AC_RST#	AC_SYNC	GND	AC_SDIN0	GND
7	GND	OC2#	GND	Reserved	USBP3-	USBP3+	GND
6	GND	USBP2-	USBP2+	LAN_RXD1	GND	LAN_RXD0	GND
5	GND	LAN_RST	GND	Reserved	LAN_RXD2	LAN_CLK	GND
4	GND	Reserved	LAN_TXD2	LAN_TXD1	GND	LAN_TXD0	GND
3	GND	Reserved	GND	Reserved	Reserved	Reserved	GND
2	GND	Reserved	Reserved	Reserved	Reserved	Reserved	GND
1	GND	Reserved	GND	Reserved	Reserved	Reserved	GND
Pin	Z	A	B	C	D	E	F

Table 24: CompactPCI J5 pin assignments

2.3 LED indicators on the cPCI-6780

The LED indicators on the cPCI-6780 front board show you the information regarding to your system's status. This section will describe the meanings of each LED indicator.

2.3.1 LAN port indicators (available for LAN1, LAN2 and LAN3)



Amber LED 10/100Mbps Status	Description
OFF	10Mbps transfer rate
ON	100Mbps transfer rate

Table 25: Green LED indication in LAN port

Green LED Link/Activity Status	Description
OFF	No link
ON	Connecting
Blinking	Data transferring

Table 26: Amber LED indication in LAN port

2.3.2 IDE Activity LED Indication

Yellow LED	Description
OFF	EIDE is not active
ON	Any one EIDE device is active

Table 27: IDE Activity LED indication

2.3.3 Power LED Indication

Green LED	Description
OFF	System is not power-on or power failed
ON	System is power-on

Table 28: Power LED indication

2.3.4 SCSI Activity LED Indication

Yellow LED	Description
OFF	SCSI bus is not active
ON	Any one SCSI device is active

Table 29: SCSI Activity LED indication

Note: Available for cPCI-6780TS and cPCI-6780VS.

2.3.5 SCSI LVD Indication

Green LED	Description
OFF	Single End SCSI mode
ON	Low Voltage Differential SCSI mode

Table 30: SCSI LVD indication

Note: Available for cPCI-6780TS and cPCI-6780VS.

3

Getting Start

This chapter provides information on how to install components such as memory, CPU, HDD and CF card on the modules. It also provides notice for choosing the proper components. The topics covered are:

- CPU Installation
- Memory Installation
- CF Installation
- HDD Installation
- OS installation device connection
- Notice for rear I/O connection

3.1 CPU Installation

The cPCI-6780 CPU module supports Intel Socket 370 FC-PGA or FC-PGA2 Pentium-III processors of 100/133 MHz front side bus (FSB) or Socket 370 FC-PGA Celeron processors of 66/100 MHz FSB. Users need to install high efficient CPU cooler to guarantee the system stability. The factory default cPCI-6780 bare model are not equipped with CPU. User can purchase the off-the-shelf CPU and the related CPU cooler from the market. However, due to the space limitation, the cooler height (including heatsink and fan) cannot over 25mm for FC-PGA package CPU or 23mm for FC-PGA2 package CPU.

Please follow the procedure to install CPU and cooler below:

1. Let the CPU socket into “un-lock” status.
2. Insert CPU to the socket by aligning the notch of the CPU with the one of the socket.
3. Let the CPU socket into “lock” status.
4. Mount the CPU cooler carefully.

ADLINK’s factory also provides the pre-mounting CPU service for considerable quantities OEM project or customized request. Please contact your dealer or ADLINK’s sales representatives.

Note: Ensure that the CPU heat sink and the CPU top surface are in tightly contact to avoid CPU overheating problem that would cause your system to hang or be unstable. The CPU heat sink and fan should be installed tightly too. The FAN with speed sensor is recommend.

- Ensure the CPU cooler could provide enough cooling capability for the CPU, otherwise, the CPU or the CPU module will be damaged caused by over-heat. The warranty will be invalid if using the improper CPU cooler.
-

3.2 Memory Installation

The cPCI-6780 CPU module supports three PC-100/PC-133 168-pin DIMM sockets for a maximum total memory of 512MB without ECC support. The memory type must be 3.3V SDRAM. User could choose PC-133 SDRAM to run with FSB 100MHz CPU, but could not choose PC-100 SDRAM to run with FSB 133MHz CPU. Due to the space limitation, the height of RAM modules cannot over 1.15 inches (29.2 mm). It is recommend to use the low profile SDRAM modules approved by ADLINK to ensure the best reliability. The factory default cPCI-6780 bare model are not equipped with RAM modules. The memory module can come with size of 32MB, 64MB, 128MB, 256MB or 512MB PC-100 or PC-133 168-pin SDRAM DIMM.

ADLINK's factory also provides the pre-mounting memory service for considerable quantities OEM project or customized request. Please contact your dealer or ADLINK's sales representatives.

-
- Ensure that the RAM modules are firmly in the DIMM sockets and not over height limitation, otherwise the components might be damaged when the CPU module is inserting into the chassis.
-

3.3 CF Installation

The CompactFlash Disk Card (or called CF storage card) is widely applied on digital consumer devices like PDA, Digital Camera and MP3 player. However, the CF features anti-shock, anti-vibration, better environment tolerance, low power consumption, small form factor and higher reliability, plus standard interface with cost-effectiveness, it has been also widely accepted in the industrial and mission critical embedded application field. In cPCI-6780, it is very easy to use CF card, user can find the CF card socket on the 2.5" ATA HDD supporting frame. The CF card socket adaptor named DB-44CFH is designed for exchange with 2.5" ATA HDD on IDE interface. DB-44CFH supports both type-I and type-II CompactFlash storage device such as CF card or IBM MicroDrive.

If user purchases the OEM model or special configuration model, it may not come with DB-44CFH in the package. User can purchase the CF card adaptor (model named: DB-44CFH) as the optional kit to convert the IDE interface to CF card socket. Due to the CF card adaptor utilize the same IDE interface and the same housing that 2.5" ATA HDD might use. So, user should aware to remove 2.5" ATA HDD (if any) first then install the CF card adaptor. Please refer to the section of HDD installation for the instruction of removing 2.5" ATA HDD.

DB-44CFH Installation for cPCI-6780 and CF card notice

- Mount the CF card adaptor (DB-44CFH) on the 2.5" HDD supporting frame directly by fixing 4 screws
- Connect the 44-pin HDD cable which has been special designed, check if pin #1 of the IDE connector, cable and the HDD are matched
- Reconfirm the cable, DB-44CFH and HDD supporting frame are fixed
- Insert CF card into socket, then check the CF card is fixed enough

Note: The CF card on front board utilize Primary EIDE interface (IDE1). Due to the cPCI-6780 front board supports rear I/O, the IDE1 interface is also wiring to rear I/O from CompactPCI connector J3. User have to pay attention that it only supports up to two IDE devices on each EIDE interface, and the master/slave setting should not conflict with each other. Due to the default setting of CF card is setting on master, the IDE1 interface on rear I/O could only apply one IDE device which is set on slave.

Removing DB-44CFH from cPCI-6780

- Remove the CF card from the CF socket
- Remove the 44-pin HDD cable which connecting DB-44CFH with IDE interface
- Remove the CF card adaptor (DB-44CFH) on the 2.5" HDD supporting frame directly by loosening 4 screws

Note: There is no necessary to remove 2.5" HDD supporting frame from cPCI-6780 prior then removing DB-44CFH.

3.4 HDD Installation

In cPCI-6780, user can install one 2.5" ATA HDD or flash drive (e.g. FLASH2000 flash disk, FFD) which is 2.5" ATA HDD form factor. The factory default bare model are equipped with DB-44CFH, the removable CF card adaptor, not equipped with any HDD or FFD. If user want to install 2.5" ATA HDD for larger storage capacity or want to install FFD for more vibration tolerant, user can purchase the off-the-shelf HDD or FFD from the market. However, we recommend to use the product which is approved by ADLINK to ensure the best reliability. Due to the space limitation with better ventilation concern, we recommend to use low profile (or called slim type) 2.5" ATA HDD or FFD that thickness is not over than 9.5mm. Because of the CF card adaptor utilize the same IDE interface and the same housing that 2.5" ATA HDD might use. So, user should aware to remove CF card adaptor (if any) first then install the 2.5" ATA HDD or FFD. Please refer to the section of CF installation for the instruction of removing CF card adaptor.

HDD/FFD Installation for cPCI-6780

- Remove the HDD supporting frame by loose the two screws on front panel and loose the three screws at the bottom side (the soldering side; reverse side.)
- Lock the HDD on the supporting frame. Please note the orientation of the HDD. The connector must face to the board's rear side (face to CompactPCI connectors.)
- Loosely mount the supporting frame on PCB by three screws
- Mount the supporting frame on the front panel by two screws, fix them, then fix the three screws mounted on PCB
- Check the master/slave setting on your 2.5" ATA HDD is right
- Connect the 44-pin HDD cable which has been special designed, check if pin #1 of the IDE connector, cable and the HDD are matched
- Reconfirm the cable, HDD and HDD supporting frame are fixed

Note: The 2.5" ATA HDD on front board utilize Primary EIDE interface (IDE1). Due to the cPCI-6780 front board supports rear I/O, the IDE1 interface is also wiring to rear I/O from CompactPCI connector J3. User have to pay attention that it only supports up to two IDE devices on each EIDE interface, and the master/slave setting should not conflict with each other. If user applies one 2.5" ATA HDD on front board and setting on master, the IDE1 interface on rear I/O could only apply one IDE device which is set on slave.

Removing HDD/FFD from cPCI-6780

- Remove the 44-pin HDD cable which connecting on the IDE interface
- Remove the HDD supporting frame by loose the two screws on front panel and loose the three screws at the bottom side (the soldering side; reverse side.)
- Remove the HDD from the supporting frame
- Remove the 44-pin HDD cable from the HDD
- Loosely mount the supporting frame on PCB by three screws
- Mount the supporting frame on the front panel by two screws, fix them, then fix the three screws mounted on PCB

3.5 OS installation device connection

This section describe how to get start to install the OS into the 6U CompactPCI platform for the cPCI-6780 CPU module. The easiest way to install OS is by connecting ATAPI CD-ROM.

3.5.1 Using cPCI-6780 on ADLINK's cBP-6108 series backplane

Due to cBP-6108 series backplane has the direct connection feature for J3/P3 and J5/P5 rear I/O of IDE interfaces, user can easily connect 40-pin flat cable into IDE interface on the rear side of backplane. Then connect the flat cable into an ATAPI CD-ROM. If user has installed 2.5" ATA HDD or CF card on the front board, it is recommend to connect ATAPI CD-ROM to secondary IDE port on the cBP-6108 series backplane to avoid the possibility of master/slave confliction.

3.5.2 Using cPCI-6780 on other backplanes

For the usage of backplanes which are not compatible with the pin assignments for J3/P3 and J5/P5 rear I/O of IDE interfaces of cPCI-6780, user can connect 40-pin flat cable into the IDE interface on cPCI-R6780 series rear board. Then connect the flat cable into an ATAPI CD-ROM. If user has installed 2.5" ATA HDD or CF card on the front board, it is recommend to connect ATAPI CD-ROM to secondary IDE port on the cBP-6108 series backplane to avoid the possibility of master/slave confliction.

Note: The 2.5" ATA HDD or CF card on front board utilize Primary EIDE interface (IDE1). Due to the cPCI-6780 front board supports rear I/O, the IDE1 interface is also wiring to rear I/O from CompactPCI connector J3. User have to pay attention that it only supports up to two IDE devices on each EIDE interface, and the master/slave setting should not conflict with each other. Due to almost the default setting of 2.5" ATA HDD or CF card is setting on master, if user want to connect ATAPI CD-ROM to the IDE1 interface on rear I/O, (including the rear I/O port on cBP-6108 backplane and cPCI-R6780 rear board,) please check the master/slave setting does not conflict with the setting of the front board's HDD or CF card.

3.6 Notice for Rear I/O Connection

cPCI-6780 features fully integrated functionality with AGP-VGA display, triple Ethernet ports, 4S2P, 4USB, SCSI, ATA-66/100 IDE, TFT-LCD interface and optional AC-97 audio interface. Some of them are implemented for rear I/O only and some of them are implemented to support both front I/O and rear I/O. This section describes the important notice for using the rear I/O connection. Please refer to Chapter 1 section 1.4 peripheral connectivity for the detailed information of each I/O.

3.6.1 The I/O implementation is only supported by rear I/O board

Several I/Os are only supported by rear I/O including COM3, COM4, LPT2, FDD interface, 2 USB, speaker (buzzer), LCD, LAN3, SCSI, TFT-LCD and AC-97 audio. User should apply the proper rear I/O board to get those rear I/O functionality. Please refer to the cPCI-6780 Model Variations Comparison Table in Chapter 1 section 1.2 for the proper front board and rear board combinations.



1. Please use the proper rear I/O transition module to enable the functions (I/O interfaces) on rear side. The board or system will be damaged if use the improper rear I/O transition module.
 2. Due to the TFT-LCD wires to rear I/O via J2, it is compliant with 32-bit CompactPCI system slot pin definitions. Although the pin-definitions for TFT-LCD are safe for 64-bit cPCI backplane, however, it might cause system or board damage to apply cPCI-6780TS with 64-bit cPCI peripheral cards on 64-bit cPCI backplane.
-

3.6.2 The I/O implementation is supported by both rear I/O and front I/O

Several I/Os are supported by rear I/O and front I/O including keyboard, mouse and VGA display. User should apply the proper rear I/O board to get those rear I/O functionality. All cPCI-R6780 series rear boards can support those rear I/O functions. However, user should keep it in mind that those I/Os can be either connected via front or rear side, not both.



1. Please use the proper rear I/O transition module to enable the functions (I/O interfaces) on rear side. The board or system will be damaged if use the improper rear I/O transition module.
 2. Please connect either via front or via rear for one I/O function. Don't connect one I/O function from both front and rear side at the same time. It will cause I/O device damage or the system module damage and the warranty will be invalid.
-

3.6.3 The FDD and IDE interfaces

If user needs only rear I/O connection of FDD and IDE interfaces, the user can consider apply cPCI-6780 with the backplane support FDD and IDE direct connection features (such as cBP-6108, 6309 or 6402 series backplane) for floppy drive and IDE devices connection. For this kind of application, user does not need to purchase rear board. If user use other backplane which does not support FDD and IDE direct connection, the proper rear I/O board is required. However, user might wish to connect drives from backplane and also use the I/O function on rear I/O board. Please refer the following notices:

- ◆ For FDD connection: connect FDD cable either via backplane or via rear I/O board, don't connect both at the same time
- ◆ For IDE1 connection, when there is **no** IDE device on front board: user can connect 40-wire IDE cable on **both** backplane and rear board when the total cable length is not over 45 cm. User should aware the master/slave setting to prevent the setting confliction
- ◆ For IDE1 connection, when there is **one** IDE device on front board: user can connect 40-wire IDE cable on **either** backplane **or** rear board, **not both** at the same time. User should aware the master/slave setting to prevent the setting confliction
- ◆ For IDE2 connection: user can connect 40-wire IDE cable on **both** backplane and rear board when the total cable length is not over 45 cm. User should aware the master/slave setting to prevent the setting confliction
- ◆ To connect ATA-66/100 3.5" HDD on rear I/O 40-pin interfaces:
 - User has to ensure the interface don't connect with device on the front board
 - Please use special 80-wire ATA-100 cable to connect 3.5" ATA-66/100 HDD, the cable length should be not over 45 cm

- Connect the wire on either backplane or rear board, do not connect cable on both at the same time
-

● Please use the proper rear I/O transition module to enable the functions (I/O interfaces) on rear side. The board or system will be damaged if use the improper rear I/O transition module.

4

Driver Installation

To install the drivers and utility for the cPCI-6780, please refer the detail installation information from this Chapter. We provide the basic information in this manual, however, for more detail installation information, such as non-Windows OS installation, please refer the extensive explanation inside the ADLINK CD or the correspondent OS installation guide. We put the chip drivers in the following directories:

Chipset driver	\CHIPDR\Chipset\I815
On-chip 815E VGA driver	\CHIPDR\VGA\I815 (cPCI-6780V, VS)
SM721 VGA driver	\CHIPDR\VGA\SM721 (cPCI-6780TS)
LAN relative driver	\CHIPDR\LAN\100PDISK
LSI 53C895 SCSI driver	\CHIPDR\SCSI\53C895 (cPCI-6780TS, VS)
Watchdog relative library	\CHIPDR\WDT
Hardware Doctor Utility	\Utility\HWDoctor\W8378X

In this users manual, the Bus-mastering IDE driver installation is not described because most of the Windows based OS will install those drivers automatically.

Due to the Windows NT is a none plug-and-play OS, we remind you some tips for installing the Windows NT here:

1. We suggest installing the LAN driver before installing any service pack.
2. We suggest installing the VGA/AGP driver after installing the service pack. Please make sure your service pack do support AGP, service pack 6 or higher is recommend.
3. Once your NT booting procedure is with warning, please check the Event Viewer to make sure what is the really problem. Once the Windows NT is with strange phenomenal which can not be solved, we suggest to re-install the Windows NT service pack, then install the driver in different sequence again.

4.1 Intel 815 Chipset Hardware and VGA Driver

This section describes the installation procedure of Intel 815 chipset Device Driver for Windows 95/98/2000.

4.1.1 Hardware Configuration File Installation

This section describes system requirements of Intel 815 chipset Device Driver. This driver has been designed for and tested with Windows 98/95.

The system must contain a supported Intel processor and chipset configuration. Ensure that a mouse is connected to the system. One of the following versions of Windows 95/98/2000 must be installed on the system prior to running utility program.

- Windows 2000 5.00.2195 (Original release)
- Windows 98 Second Edition 4.10.2222 (Original Release)
- Windows 98 4.10.1998 (Original Release)
- Windows 95 4.00.950c (OSR 2.5 with or without USB Supplement)
- Windows 95 4.00.950b (OSR 2.1 with USB Supplement)
- Windows 95 4.00.950b (OSR 2.1 with USB Supplement)
- Windows 95 4.00.950a (OSR1)
- Windows 95 4.00.950 (Original Release)

Installing Hardware Configuration File

This subsection describes how to install the hardware configuration file on a system where Windows 98/95 is installed.

Note: Record the location of the Windows 95/98/2000 directory before installing the driver.

1. Check the System Requirements. Windows 95/98/2000 must be fully installed and running on the system prior to running this software.
2. Close any running applications.

3. The files are stored in an integrated application setup program. This program is designed for a Windows 95/98/2000 program that allows the INF files to be installed.
4. In X:\CHIPDRV\Chipset\I815\Win9x2kDisk1, and then Run SETUP.EXE.
5. Click 'Next' on Welcome Screen to read and agree to the license agreement. Click **Yes** if you agree to continue. NOTE: If you click **No**, the program will terminate.
6. Click '**Finish**' to restart the system when prompted to do so.
7. Follow the screen instructions and use default settings to complete the setup when Windows 95/98/2000 is re-started. Upon re-start, Windows 95/98/2000 will display that it has found many hardware and is installing driver for them. If one **New Hardware Found** dialog box is displayed requesting the location of the drivers, use the mouse to click on the scrollbar and click on the <Windows 95/98/2000 directory>.
8. Select **Yes**, when prompted to re-start Windows 95/98/2000.

4.1.2 VGA Driver Installation

This section provides information on how to install the VGA driver that come in the Compact Disk with the package. Please follow the instructions set forth in this section carefully. Please note that there must be relevant software installed in your system before you could proceed to install the VGA driver.

Note: For the driver installation under non-Windows based OS, please refer to the correspondent OS installation guide.

Installing the Drivers for Windows 98/95 and Win 2000

The following section describes the normal display driver installation procedures for Windows 95/98/2000. Use the following procedures when installing the display drivers for Windows 98/95.

1. The driver is included in the ADLINK CD. Run the **win9xm62.exe** (or **win2km62.exe** for Win2000 installation) under the following directory: **X:\CHIPDRV\VGAV815\w9xme** (or **W2K** folder for Win 2000 installation).
2. Click **Next** on **Welcome Screen** to read and agree to the license agreement.
3. Click **Yes** if you agree to continue. NOTE: If you click **No**, the program will terminate.
4. Click **Yes** to restart your computer and for the new settings to take effect.
5. Follow the screen instructions and use default settings to complete the setup when Windows 95/98/2000 is re-started.

Installing the Drivers for Windows NT 4.0

[**IMPORTANT**]: You should install the Windows NT 4.0 with at least Service Pack 4 (version number: 4.00.1381) first before installing the VGA driver. If you don't have the Windows NT 4.0 Service Pack 4, please contact your software vendor or download it from Microsoft's web site.

The procedures below show you how to install the VGA driver for Windows NT 4.0.

1. Boot Windows NT 4.0.

2. The driver is included in the ADLINK CD. Run the ***winnt4m62.exe*** under the following directory: ***X:\CHIPDRV\VGAV815\nt40***.
3. Click ***Next*** on **Welcome Screen** to read and agree to the license agreement.
4. Click **Yes** if you agree to continue. NOTE: If you click **No**, the program will terminate.
5. Windows NT 4.0 will prompt you to restart computer. Click **Yes** for the new settings to take effect.
6. Follow the screen instructions and use default settings to complete the setup when Windows NT 4.0 is re-started.

4.2 SM721 VGA Drivers Installation (cPCI-6780TS)

This chapter describes VGA driver installation for the onboard VGA controller **SM721**. The relative drivers are in the following ADLINK CD directory: **X:\CHIPDRV\VGA\SM721**, where X: is the location of the CD-ROM drive. The VGA drivers for Windows 98/95, Windows NT and Windows 2000 are included.

Note: For the driver installation under non-Windows based OS, please refer to the correspondent OS installation guide.

4.2.1 Driver Installation on Windows 2000

The Windows 2000 may install the standard VGA driver. We recommend you to manually installed the most updated driver, which shipped with ADLINK CD to guarantee the compatibility. After installing the Windows 2000, please update the new drivers by the following procedures.

1. Boot Windows 2000, Click **Start**. Select **Settings** then double-click the **Control Panel**.
2. Double-click on the **System** icon, click **Hardware** tab, click **Device Manager** button.
3. Double-click either on the *Display Adapters* or *Other Devices* entry, Double-click the *Video Controller* or Silicon Motion Lynx3DM entry.
4. Click on the **Driver** tab, then click **Update Driver...** button.
5. An Upgrade Device Driver Wizard windows, click **NEXT>**.
6. Select *Display a list of ...* and click **NEXT**.
7. The next window may show a list of hardware type, then select **Display Adapters**, then click **OK**.
8. This window may show a list of VGA model numbers.
9. Insert ADLINK CD and click **Have Disk**.
10. **Browse** the SM721 driver in the following path: **X:\CHIPDRV\VGA\SM721\WIN2K**, highlight **smisetup.inf**, click **OPEN**, then click **NEXT>**.

11. Highlight the model: **Silicon Motion Lynx3DM**, then click **NEXT>**.
12. Click **NEXT>** button, The Windows 2000 may report Digital Signature Not Found, then click **Yes** to continue.
13. Click **Finish** button, then click **CLOSE** button.

4.2.2 Driver Installation on Windows 98

The Windows 98 may install the standard VGA driver. We recommend you to manually installed the most updated driver, which shipped with ADLINK CD to guarantee the compatibility. After installing Windows 98, please update the new drivers by the following procedures.

1. Boot Windows 98, Click **Start**. Select **Settings** then double-click the **Control Panel**.
2. Double-click **System** icon, click on the **Device Manager** tab.
3. Double-click **Display Adapters** entry, select the **Standard PCI Graphics Adapter (VGA)** entry. Click the **Properties** button.
4. Click on the **Driver** button, then click **Update Driver...** button.
5. An Upgrade Device Driver Wizard windows, click **NEXT>**.
6. Select **Display a list of ...** and click **NEXT>**. The next window allows the user to specify a specific path. Insert the ADLINK CD and click **Have Disk**.
7. **Browse** the SM721 driver in the following path: **X:\CHIPDRV\VGA\SM721\WIN9X**, highlight **smi.inf**, click **OPEN**. Click **OK**.
8. Click **NEXT>** button, then the Wizard summary window appears.
9. Click **Finish** button, then restart the computer to active the new driver.

4.2.3 Driver Installation on Windows NT

The Windows NT may install the standard VGA driver while. We recommend you to manually installed the most updated driver, which shipped with ADLINK CD to guarantee the compatibility. After installing Windows NT, please update the new drivers by the following procedures.

1. From the **Control Panel**, double-click the **Display** icon.
2. Click the **Settings** tab, click **Display Type...**, click **Change...** button.
3. Insert ADLINK CD and click **Have Disk**.
4. **Browse** the SM721 driver in the following path: **X:\CHIPDRV\VGA\SM721WT40**, highlight **smisetup.inf**, click **OPEN**. Click **OK**.
5. A windows shows the Display is Silicon Motion Lynx Family, click **OK**, then click **Yes** to continue.
6. An Installing Driver window shows successful installing, click **OK** to continue.
7. Click **Close** button.
8. Click **Close** button, then restart the computer to active the new driver.

Note: After installing the VGA/AGP drivers, you may find the driver does not work. This may due to you do not install the NT service pack in advance. We suggest installing the NT service pack 4 or higher version to enable APG capability.

4.3 LAN Drivers Installation

This chapter describes LAN driver installation for the onboard Ethernet controller *Intel 82559 (LAN1 & LAN2) and Intel PHY 82562 (LAN3, with ICH2 built-in MAC)*. The relative drivers are under the following ADLINK CD directory: *X:\CHIPDRV\LAN100PDISK*, where X: is the location of the CD-ROM drive.

Note: For the driver installation under non-Windows based OS, please refer to the correspondent OS installation guide.

4.3.1 Software and Drivers Support

The 82559 drivers support the following OS or platforms:

- Windows 98, Windows 95, Windows 2000, Windows NT
- Novell Netware, DOS Setup for Novell NetWare DOS
- UNIX, OS2, Linux

All the above drivers are included in the ADLINK CD. In the following section, we will describe the driver installation for Windows 98, Windows 2000, and Windows NT. For the driver installation of the other OS, please refer the readme file inside the CD.

4.3.2 Driver Installation on Windows 2000

The Windows 2000 may install the LAN driver. We recommend you to manually installed the most updated LAN driver, which shipped with ADLINK CD to guarantee the compatibility. After installing the Windows 2000, please update the new drivers by the following procedures.

1. Boot Windows 2000, Click **Start**. Select **Settings** then double-click the **Control Panel**.
2. Double-click **System** icon, click **Hardware** tab, click **Device Manager** button.
3. Double-click Network Adapters entry, Double-click the Intel 8255x-based PCI Ethernet Adapter (10/100) entry.
4. Click **Driver** tab, then click **Update Driver...** button.
5. An Upgrade Device Driver Wizard windows, click **Next>**.
6. Select **Display a list of ...** and click **Next>**. The next window may show a list of hardware models.
7. Insert the CD and click **Have Disk**.
8. Browse the Intel 82559 driver in the following path: **X:\CHIPDRV\LAM\100PDISK**, highlight **oemsetup.inf**, click **Open**, then click **OK**.
9. Highlight the model: **Intel 8255x- based PCI Ethernet Adapter (10/100)**, then click **NEXT>**. An Update Driver Warning window may pop up, click **Yes** to continue.
10. Click **NEXT>** button, then the Wizard summary window appears.
11. Click **Finish** button, then click **CLOSE** button.

4.3.3 Driver Installation on Windows 98

The Windows 98 will install the LAN driver automatically. We recommend you to manually updated the LAN, which on the ADLINK CD to guarantee the compatibility. After installing Windows 98, please update the new drivers by the following procedures.

1. Boot Windows 98, Click **Start**. Select **Settings** then double-click the **Control Panel**.
2. Double-click on the **System** icon, click on the **Device Manager** tab.
3. Either Double-click on the **Network Adapters** entry, select the **Intel 8255x-based PCI Ethernet Adapter (10/100)** entry. Click the **Properties** button.
4. Click on the **Driver** button, then click **Update Driver...** button.
5. **Update Device Driver Wizard** starts, click **NEXT**.
6. Select **Display a list of ...** and click **NEXT**. The next window allows the user to specify a specific path. Insert the CD and click **Have Disk**.
7. Browse the Intel 82559 driver in the following path: **X:\CHIPDRV\LAN\100PDISK**, highlight **net82557.inf**, click **OK**. The Update Wizard displays the message that it has found the driver. Click OK again to update the driver. Note: Windows 98 may ask you to insert the original Windows 98 CD to install the LAN protocols.
8. Click **NEXT** button, then the Wizard summary window appears.
9. Click **Finish** button, then restart the computer to active the new driver.

4.3.4 Driver Installation on Windows NT

Before install the LAN driver on Windows NT, please copy the LAN driver in the CD to a floppy diskette. You have to put a new disk into drive A, then type the following batch command under DOS environment to copy the relative NT drivers.

X:\CHIPDRV\LAN\100PDISK\Makedisk\Makedisk NT

where X is the CD-ROM drive.

Windows NT may ask to install a LAN driver from its own library of drivers. We recommend you to manually update the LAN, which on the ADLINK CD to guarantee the compatibility. After installing Windows 98, please update the new drivers by the following procedures.

1. From the **Control Panel**, double-click the **Netwok** icon, a Network Configuration window pop up, click **Yes**.
2. In Netwok Setup Wizard, click **Next>**, click **Select From List...** button.
3. Insert LAN driver floppy diskette into A drive and click **Have Disk**.
4. In the dialog box of Insert Disk window, type in **A:**, Click **OK**.
5. A Select OEM Option window pop up, click **OK**, then click **Next>**.
6. Select necessary Network Protocols, click **Next>**.
7. Select necessary Network Services, click **Next>**.
8. Click **Next>** until Window NT Setup dialog box pop up. Type in **D:\i386** in the dialog box, then insert the original Windows NT CD, click **Continue**.
9. Then click **OK** until the setup completed.
10. Restart the computer to reboot.

4.4 SCSI Drivers Installation

This chapter describes SCSI drivers installation for the onboard SCSI controller **LSI (Symbios) 53C895**. The relative drivers are under the following ADLINK CD directory: **X:\CHIPDRV\SCSA53C895**, where X: is the location of the CD-ROM drive.

4.4.1 Software and Drivers Support

The 53C895 drivers support the following OS or platforms:

Windows 98, Windows 95, Windows 2000, Windows NT 4.0

DOS, Novell, UNIX, SCO UNIX, OS2, Linux

All the above drivers are included in the ADLINK CD. In the following sections, we will describe the driver installation for Windows 98, Windows 2000, and Windows NT. For the driver installation of the other OS, please refer the README file under the respective directory.

Note: The most updated SCSI drivers can be downloaded from the LSI Logic web site at URL: <http://www.lsilogic.com>.

4.4.2 Driver Installation on Windows 2000

The Windows 2000 may install the SCSI driver. We recommend you to manually installed the most updated driver, which shipped with ADLINK CD to guarantee the compatibility. After installing the Windows 2000, please update the new drivers by the following procedures.

1. Boot Windows 2000, Click **Start**. Select **Settings** then double-click the **Control Panel**.
2. Double-click on the **System** icon, click **Hardware** tab, click **Device Manager** button.
3. Double-click SCSI and RAID controllers entry, Double-click the Symbios XXX PCI SCSI Adapter entry.
4. Click **Driver** tab, then click **Update Driver...** button.
5. An Upgrade Device Driver Wizard window starts, click **NEXT>**
6. Select **Display a list of...**, then click **NEXT>**. The next window may show a list of hardware models.
7. Insert the ADLINK CD and click **Have Disk**.
8. **Browse** the LSI 53C895 driver in the following path:

X:\CHIPDRV\SCSI\53C895\Win2k\winnt\miniport

Highlight **oemsetup.inf**, click **OPEN**, then click **NEXT>**.
9. Highlight the model: Symbios 8952U PCI SCSI Adapter; 53C895 Device, then click **NEXT>**.
10. Click **NEXT** button. The Windows 2000 may report Digital Signature Not Found, then click **Yes** to continue.
11. Click **Finish** button, then click **CLOSE** button.

4.4.3 Driver Installation on Windows 98

The Windows 98 will automatically install the SCSI drivers. However, we recommend you to manually installed the most updated driver, which shipped with ADLINK CD to guarantee the compatibility. After installing the Windows 98, please update the new drivers by the following procedures.

1. From the **Control Panel**, double-click **System** icon, click **Device Manager** tab.
2. Double-click SCSI Adapters entry, select the Symbios Logic xxxxx SCSI PCI Host Adapter entry. Click the Properties button.
3. Click **Driver** button, then click **Update Driver...** button.
4. An Upgrade Device Driver Wizard window pop up, click **NEXT>**.
5. Select **Display a list of ...** and click **NEXT>**. The next window allows the user to specify a specific path. Insert the ADLINK CD and click **Have Disk**.
6. **Browse** the 53C895 driver in the following path:

X:\CHIPDRV\SCSI\53C895\Win95&98

Highlight **symc8xx.inf**, click **Open**, click **OK**. The previous window appears with the selected driver displayed as the driver to install.

7. Click **NEXT>** button, then the Wizard summary window appears.
8. Click **Finish** button, then restart the computer to active the new driver.

4.4.4 Driver Installation on Windows NT

Before install the SCSI driver on Windows NT, please copy the contents in the following directory **X:\CHIPDRV\SCSI\53C895Wt40** into a new formatted floppy diskette. Please note that all the content in the sub-directory must be copied too.

When install the Windows NT into a SCSI HDD, we recommend you to use IDE CD-ROM as CD reader. Before installing the NT, we have to install the SCSI driver from the floppy diskette you made. Please use the following procedure to install the SCSI driver with Windows NT.

1. Start the Windows NT 4.0 installation by booting from the Windows NT CD or floppy diskettes.
2. Press **Enter** when the Welcome to Setup screen appears.
3. The Windows NT 4.0 Workstation Setup window appears next.
4. Press **S** to skip automatic detection and do manual selection. A screen displays the message **[Setup has recognized the following mass storage devices in your computer]**.
5. Choose **S** to configure additional SCSI adapters when a screen displays the SCSI adapters found. Move the highlight bar to **Other** and press **Enter**.
6. The system prompts for the manufacturer-supplied hardware support disk. Insert the appropriate Symbios Driver diskette, and press **Enter**.
7. Select **Symbios PCI (53C8XX) Driver** to be shown highlighted. Press **Enter** to proceed.
8. The Windows NT Workstation Setup window reappears. If using an IDE CD-ROM for installation, press **S** to load additional drives. Another window appears.
 - (1) Scroll up and select: **IDE CD-ROM (ATAPI 1.2)....**, Press **Enter**.
-or-
 - (2) Configuring additional SCSI adapters, press **Enter**.

9. Upon exiting, a screen displays the message Setup will load support for the following mass storage devices(s). Press **Enter** to continue. This message implies that Windows NT recognizes the miniport driver and the SCSI hardware.
10. At this point, simply follow the Microsoft Windows NT installation procedure.

The Windows NT may already install with a SCSI driver. We recommend you to manually upgrade the driver, which shipped with ADLINK CD to guarantee the compatibility. After installing Windows NT, please update the new drivers by the following procedures.

1. From the **Control Panel**, double-click the **SCSI Adapters** icon.
2. Click **Drivers** tab, click **Add...** button.
3. Insert the floppy diskette into drive A: and click **Have Disk**.
4. In Window NT Setup window, type in **A:** drive in the dialog box, then click **Continue** button.
5. An Install Driver window shows that the SCSI adapter is Symbios Logic PCI 53C8XX, click **OK** to continue.
6. An setup successful windows pop up, click **OK** to continue.
7. Click **Close** button.
8. Click **Close** button, then restart the computer to active the new driver.

Watchdog and Utilities

5.1 Watchdog Timer Configuration

The Watch Dog Timer (WDT) can monitor the system's status. Once you give a value to WDT, the timer will begin to count down. To re-program a new value to WDT, or move keyboard can restart the WDT. If the system is idle or hang, it will reboot when the timer timeout.

The function of the watchdog timer is to reset the system automatically. It contains a one-second (or one-minute) resolution down counter (in CRF4 of logical device 8 of super I/O chip) and two Watchdog control registers (CRF2 and CRF3 of logical device 8).

We provides the WDT function call for easy use under DOS, Windows 95/98/2000, and Windows NT, please refer the information under ***X:\CHIPDRV\WDT.***

5.1.1 WDT Programming

In order to simplify the programming code, we provide a sub function for the programmers to implement their software. For DOS, Windows 95 or 98 and Window NT, the sub function format is as follow:

```
out_port (int IOport_number, int Counter_value)
        IOport_number:0x3F0 -->W83977EF's configuration port.
        0x2E -->W83627HF's configuration port.
        Counter_value: 0 ~ 15300 (255 minutes)
```

(write a zero to disable the timer)

Under DOS, Windows 95 or 98

Make a project program with `wdt .cpp` under Turbo C/C++.

Under Windows NT

The library installation procedure:

- (1) run the setup program under NT environment.
- (2) reboot the system.

You can also write your own DLL by referring the DOS source we provide.

5.1.2 How to Test the WDT?

Under DOS, Windows 95 or 98

Open a DOS command prompt and execute the following utility on the CD.

```
X: \CHIPDRV\WDT\test <n>
```

```
/* n = second value. This program can auto detect which Super
   I/O chip you use. */
```

Under Windows NT

Before you executing the program under NT, you must run the setup program under Windows NT in advance. Open a DOS command prompt window and execute the following command.

```
test977 <n> : n = second value. For W83977EF
```

```
test627 <n> : n = second value. For W83627HF
```

5.2 Hardware Doctor Utility

This chapter introduces Hardware Doctor Utility that comes with the CPU board in conjunction with the onboard hardware monitoring function. The section describes the functions of the utility.

Hardware Doctor is a self-diagnostic system for PC and must be used with Winbond's W83781D/W83782D or W83627HF IC series products. It will protect PC Hardware by monitoring several critical items including Power Supply Voltage, CPU Fan speed, and CPU & System temperature. These items are important to the operation of system; errors may result in permanent hurt of PC. Once any item is out of its normal range, an obvious warning message will pop up and remind user to make a proper treatment.

The Hardware Doctor utility supports the Windows 98 and Windows NT. The software is stored on the ADLINK CD under the following directory:
X:\Utility\HWDoctor\W8378X\WIN98

and

X:\Utility\HWDoctor\W8378X\NT4.

Please install the Hardware Doctor by executing the HI2C-98.exe or HI2C-NT.exe respectively under Windows 98 or Windows NT.

For detail user's manual, please refer the HWDoctor.PDF under the
X:\Utility\HWDoctor\W8378X

5.3 Intel Preboot Execution Environment (PXE)

cPCI-6780 series support Intel Preboot Execution Environment (PXE) which provides the capability of boot-up from Ethernet even executing OS installation from Ethernet. There should be a DHCP server in the network with one or more servers running PXE service and MTFTP service. It could be a Windows NT or Windows 2000 server running DHCP, PXE and MTFTP service or a dedicated DHCP server with one or more additional server running PXE and MTFTP service. The section describes the major items for building up a network environment with PXE support.

1. Setup a DHCP server with PXE tag configuration.
2. Install the PXE and MTFTP services.
3. Make boot image file on PXE server (that is the boot server).
4. Enable the PXE boot function on the client computer.

For more detailed information, please refer to [pdkrel30.pdf](#) under the directory *X:\Utility***PXE_PDK**.

5.4 PICMG 2.1 Hot Swap Support

The cPCI-6780 Hot-Swap capability allows non-system slot boards to be added or removed while the system is powered up. Individual clocks for each slot and access to the ENUM# signal on the backplane are compatible to PICMG 2.1 Hot Swap Specification. While hot swap of non-system boards is supported, the cPCI-6780 itself cannot be inserted to or removed from a powered system.

A signal (ENUM#) is provided to notify the cPCI-6780 that either a board has been freshly inserted or is about to be extracted. This signal drives a BIOS-programmed interrupt (IRQ9) to inform the cPCI-6780 that the configuration of the system has changed. The cPCI-6780 then performs any necessary maintenance such as installing a device driver upon board insertion, or quiescing a device driver and the board, prior to the board's extraction. The CompactPCI Hot-Plug System Driver manages the ENUM# sensing.

Hot Swap Software builds on the PCI Hot-Plug architecture. The Hot-Plug Service, Hot-Plug System Driver, and the Device Drivers are common elements with the Hot-Plug architecture. The Device Drivers for Hot-Swap boards must be Hot-Plug capable. The Hot-Plug Service provides for the Dynamic Configuration of the system as the resources are added or removed. These services are defined by the PCI Hot-Plug Specification.

To support Hot Swap capability, the peripheral board shall be fully compliant with PICMG 2.0 R3.0 and PICMG 2.1 R2.0. The board insertion and extraction processes are summarized as follows.

Insertion process:

1. The peripheral board is not installed
2. The physical connection process begins.
3. The operator picks a peripheral board in order to install it in the system.
4. The peripheral board enters the card guide.
5. The peripheral board front panel is discharged to chassis ground through a bleed resistor.

6. The peripheral board logic ground is discharged to chassis ground through a bleed resistor.
7. The bleed resistor breaks contact with chassis ground. Logic ground is again isolated.
8. The front panel makes low resistance contact with chassis ground through the card guide.
9. The peripheral board contacts long pins on backplane, and begins to contact ground, +5V, +3V, and V(I/O) pins.
10. The peripheral board is in an unstable state while pins are first mated. This duration can potentially be infinite if the board is just marginally connecting the longest pins.
11. Enough pins are connected that a stable early power can be achieved. Hardware puts the Hot Swap (blue) LED on the peripheral board to the ON state.
12. The peripheral board contacts the medium length pins on the backplane. The peripheral board is now receiving the PCI clock.
13. The peripheral board contacts the short BD_SEL# pin. This pin is grounded on the backplane and pulled high by a pull-up resistor on the peripheral board. Its assertion indicates that the peripheral board has been fully inserted into the backplane.

Extraction Process:

1. The peripheral board is installed.
2. The operator starts to withdraw the peripheral board.
3. The BD_SEL# pin disconnects. The hardware connection layer turns on the blue LED if it hasn't been turned on by software.
4. Medium length CompactPCI pins disengage.

5. Long length CompactPCI pins disengage. Early power goes away. The peripheral board is in an unstable state while pins are first disconnecting. This duration can potentially be infinite if the board is just marginally connecting the longest pins.
6. Board logic ground is connected to chassis ground through a bleed resistor.
7. The board front panel is connected to chassis ground through a bleed resistor.
8. Board leaves the ESD card guide.
8. The board is not installed.

If it is not necessary to support Hot Swap Capability, user could disable the function in BIOS setting and release IRQ9 for other resource. Please refer to cPCI-6780 BIOS manual for operational instruction.

Product Warranty/Service

ADLINK warrants that equipment furnished will be free from defects in material and workmanship for a period of one year from the date of shipment. During the warranty period, we shall, at our option, either repair or replace any product that proves to be defective under normal operation.

This warranty shall not apply to equipment that has been previously repaired or altered outside our plant in any way as to, in the judgment of the manufacturer, affect its reliability. Nor will it apply if the equipment has been used in a manner exceeding its specifications or if the serial number has been removed.

ADLINK does not assume any liability for consequential damages as a result from our product uses, and in any event our liability shall not exceed the original selling price of the equipment. The remedies provided herein are the customer's sole and exclusive remedies. In no event shall ADLINK be liable for direct, indirect, special or consequential damages whether based on contract of any other legal theory.

The equipment must be returned postage-prepaid. Package it securely and insure it. You will be charged for parts and labor if the warranty period is expired or the product is proves to be misuse, abuse or unauthorized repair or modification.