



Main Features

- Onboard Intel® Celeron® processor J3455 Quad Core, 1.50GHz
- 3 x HDMI
- 6 x USB 3.0, 2 x USB 2.0
- 1 x RS232/422/485, 3 x RS232
- 3 x Intel® I210 GbE LAN ports; support WoL, teaming and PXE
- 2 x mini-PCIe socket support optional Msata/Wi-Fi/BT/4G LTE module
- Support operating temperature from -5 to 50 Celsius degree
- Support +9V to 30VDC input; support ATX power mode

Product Overview

Powered by the latest generation of Intel® Celeron® processor J3455 (formerly codenamed "Apollo Lake"), NISE 52 is fanless PC designed for industrial applications which demand low power consumption and abundant I/O interfaces but with limited installation space.

NISE 52 supports a wide range of operating temperature from -5~50 Celsius degree and wide range DC power input from 9V to 30V. NISE 52 is also the first system in the slim NISE 50 series to support 3 independent displays. The NISE 52 have strong connectivity - Ethernet-based LAN port and traditional serial port, mainly for Modbus TCP or Modbus RTU communication. For wireless connectivity, there are 2 x mini-PCIe socket which can support optional wireless modules for IoT applications, for example, Wi-Fi, Bluetooth, 4G LTE modules as well as storage module. NISE 52 is definitely the best choice for M2M intelligent system as an intelligent IoT gateway.

Specifications

CPU Support

- Onboard Intel® Celeron® processor J3455 Quad Core, 1.50GHz

Main Memory

- 1 x DDR3L SO-DIMM socket, support DDR3L 1866 8GB RAM max., un-buffered and non-ECC

Display Option

- 3 x HDMI

I/O Interface-Front

- ATX power on/off switch
- 3 x HDMI
- 3 x Intel® I210 GbE LAN ports; support WoL, teaming and PXE
- 2 x USB 2.0 (500mA per each)
- 1 x Antenna hole
- 1 x 2-pin remote power on/off switch

I/O Interface-Rear

- 6 x USB 3.0 ports (900mA per each)
- 1 x DB44 serial port for 4 x COM port
 - COM1: RS232/422/485 with auto flow control and – jumper-free setting
 - COM2 & COM3 & COM4: Full RS232 signal

- LED indicator for TX/RX
- 1 x Antenna hole
- 1 x 3-pin DC input, support +9V to 30V DC input

I/O Interface-Internal

- 4 x GPI and 4 x GPO (programmable to GPI or GPO)
- 1 x nano-SIM card holder

Expansion Slot

- 2 x mini-PCIe socket for optional Wi-Fi/BT/4G LTE/mSATA

Power Requirements

- Power input: +9 to +30V DC
- 1 x Optional 24V, 60W power adapter

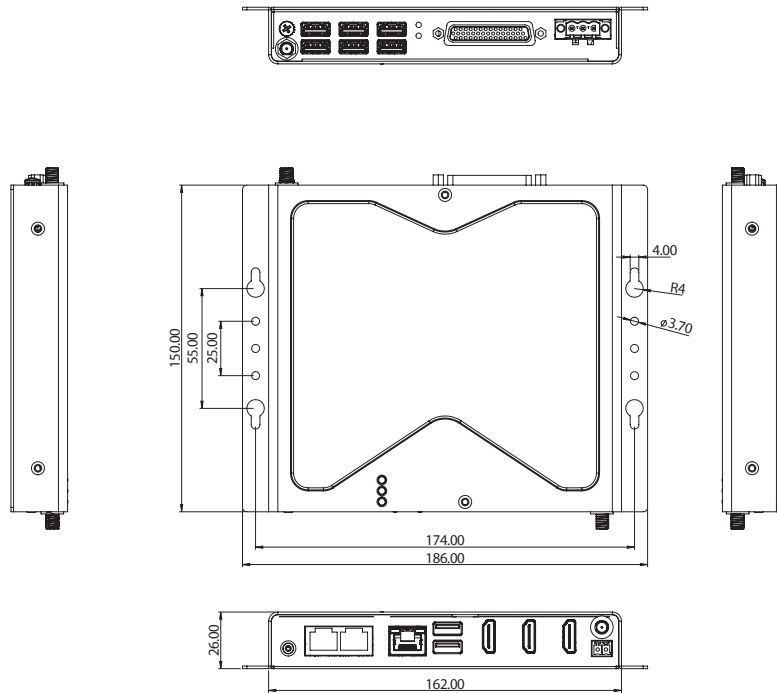
Support OS

- Windows 10 64-bit
- Linux Kernel

Dimensions

- 162mm (W) x 150mm (D) x 26mm (H) without wall mount bracket

Dimension Drawing



Construction

- Metal chassis with fanless design

Environment

- Operating temperature
 - Ambient with air flow: -5°C to 50°C (according to IEC60068-2-1, IEC60068-2-2, IEC60068-2-14)
- Storage temperature: -20°C to 80°C
- Relative humidity: 10% to 95% (non-condensing)
- Shock protection
 - M.2/mSATA: 50G, half sine, 11ms, IEC60068-2-27
- Vibration protection with mSATA & M.2 condition
 - Random: 2Grms @ 5~500 Hz, IEC60068-2-64
 - Sinusoidal: 2Grms @ 5~500 Hz, IEC60068-2-6

Certifications

- CE
- FCC Class A

Ordering Information

- **NISE 52-A01 (P/N: 10J00005200X0)**
Intel® Celeron® J3455 processor fanless system
- **NISE 52-A02 (P/N: 10J00005201X0)**
NISE 52 w/ 4GB DDR3L SODIMM
- **24V, 60W AC/DC power adapter w/o power cord (P/N: 7400060054X00)**