



Features

- Support Digital Outputs (Form A AC SSR)
- Fast Response Time
- Unlimited Life Time for Relays
- 4 kV ESD Protection
- RoHS Compliant
- Wide Operating Temperature Range: -25 ~ +75°C



Introduction

I-87065W features 8-channel Form A AC SSR outputs. Unlike electromechanical relays, SSRs have faster response time and nearly unlimited life time. I-87065W has 8 LED indicators for AC SSR status. All DO channels have 4 kV ESD protection.

Applications

Building Automation, Factory Automation, Machine Automation, Remote Maintenance, Remote Diagnosis, Testing Equipment.

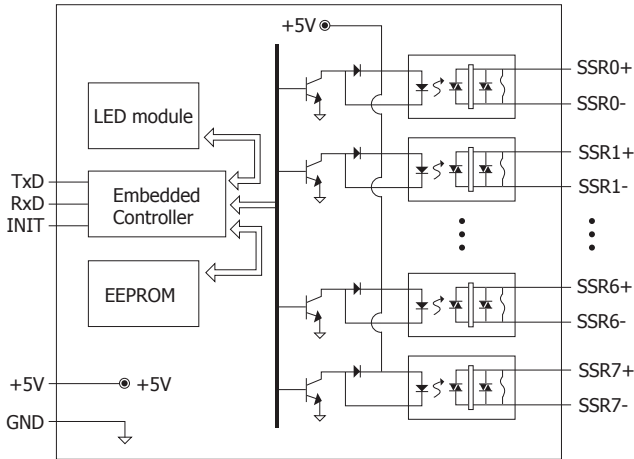
System Specifications

Communication	
Interface	RS-485
Format	N, 8, 1
Baud Rate	1200 ~ 115200 bps
Protocol	DCON
Dual Watchdog	Yes, Module (1.6 Seconds), Communication (Programmable)
Safe Value When Host Fail or Communication Fail	Yes
Power-on Preset Value	Yes
LED Indicator/Display	
System LED Indicator	1 LED as Power/Communication Indicator
I/O LED Indicator	8 LEDs as AC-SSR Output Indicators
Isolation	
Intra-Module Isolation, Field-to-Logic	3000 Vdc
EMS Protection	
ESD (IEC 61000-4-2)	4 kV Contact for Each Terminal
	8 kV Air for Random Point
Power	
Power Consumption	0.6 W Max.
Mechanical	
Dimensions (W x L x H)	30 mm x 102 mm x 115 mm
Environment	
Operating Temperature	-25 ~ +75°C
Storage Temperature	-40 ~ +85°C
Humidity	10 ~ 95% RH, Non-condensing

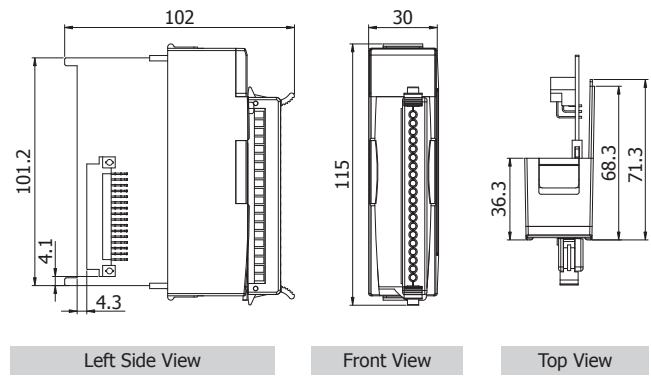
I/O Specifications

Digital Output	
Channels	8
Type	AC SSR
Sink /Source (NPN /PNP)	Form A (Normal Open)
Rated Load Voltage	24 ~ 265 Vrms
Rated Load Current	1.0 Arms
Max. Operate Time	1 ms
Max. Release Time	1/2 Cycle + 1 ms
Max. On-state Voltage Drop	1.2 Vrms
Max. Off-state Leakage Current	0.75 mA (at 100 Vrms 60 Hz), 1.5 mA (at 200 Vrms 60 Hz)
Insulation Resistance	Min. 1,000 MΩ, at 500 Vdc
Dielectric Strength	2500 Vrms
Life	Long Life, Maintenance Free
Power-on Value	Yes
Safe Value	Yes

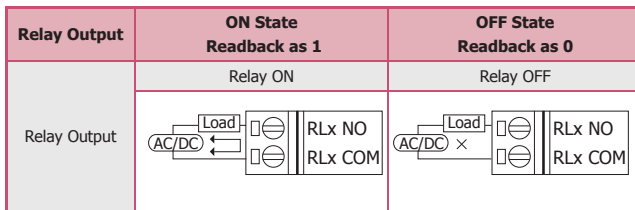
Internal I/O Structure



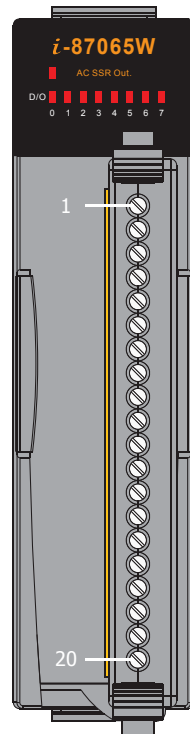
Dimensions (Units: mm)



Wire Connections



Pin Assignments



Terminal No.	Pin Assignment
01	SSR0+
02	SSR0-
03	SSR1+
04	SSR1-
05	-
06	SSR2+
07	SSR2-
08	SSR3+
09	SSR3-
10	-
11	SSR4+
12	SSR4-
13	SSR5+
14	SSR5-
15	-
16	SSR6+
17	SSR6-
18	SSR7+
19	SSR7-
20	-

Ordering Information

I-87065W-G CR	8-channel AC SSR Output Module (Gray Cover) (RoHS)
---------------	--

Accessories

	SG-770 CR	7 channel differential or 14 channel single-ended surge protector (RoHS)
--	-----------	--