



Features

- Support Digital Outputs (Form A DC SSR)
- Fast Response Time
- Unlimited Life Time for Relays
- 4 kV ESD Protection
- RoHS Compliant
- Wide Operating Temperature Range: -25 ~ +75°C



Introduction

I-87066W features 8-channel Form A DC SSR outputs. Unlike electromechanical relays, SSRs have faster response time and nearly unlimited life time. I-87066W has 8 LED indicators for DC SSR status. All DO channels have 4 kV ESD protection.

Applications

Building Automation, Factory Automation, Machine Automation, Remote Maintenance, Remote Diagnosis, Testing Equipment.

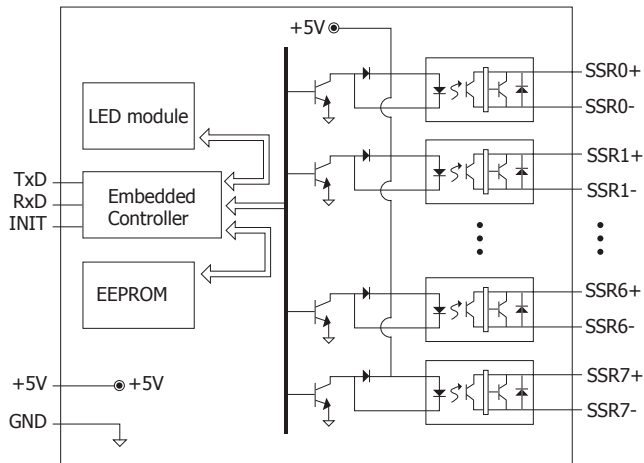
System Specifications

Communication	
Interface	RS-485
Format	N, 8, 1
Baud Rate	1200 ~ 115200 bps
Protocol	DCON
Dual Watchdog	Yes, Module (1.6 Seconds), Communication (Programmable)
Safe Value (When Host Fail or Communication Fail)	Yes
Power-on Preset Value	Yes
LED Indicator/Display	
System LED Indicator	1 LED as Power/Communication Indicator
I/O LED Indicator	8 LEDs as DC-SSR Output Indicators
Isolation	
Intra-Module Isolation, Field-to-Logic	3000 V _{dc}
EMS Protection	
ESD (IEC 61000-4-2)	4 kV Contact for Each Terminal
	8 kV Air for Random Point
Power	
Power Consumption	0.6 W Max.
Mechanical	
Dimensions (W x L x H)	30 mm x 102 mm x 115 mm
Environment	
Operating Temperature	-25 ~ +75°C
Storage Temperature	-40 ~ +85°C
Humidity	10 ~ 95% RH, Non-condensing

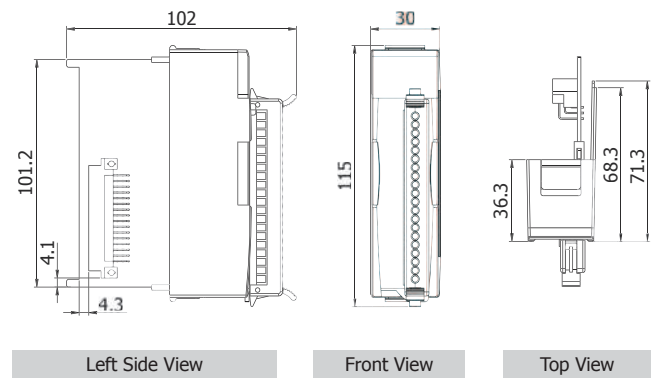
I/O Specifications

Digital Output	
Channels	8
Type	DC SSR
Sink /Source (NPN /PNP)	Form A (Normal Open)
Rated Load Voltage	3 ~ 30 V _{dc}
Rated Load Current	1.0 Arms
Max. Operate Time	1 ms
Max. Release Time	1 ms
Max. On-state Voltage Drop	1.2 V _{rms}
Max. Off-state Leakage Current	0.1 mA at 30 V _{dc}
Insulation Resistance	Min. 1,000 MΩ, at 500 V _{dc}
Dielectric Strength	2500 V _{rms}
Life	Long Life, Maintenance Free
Power-on Value	Yes
Safe Value	Yes

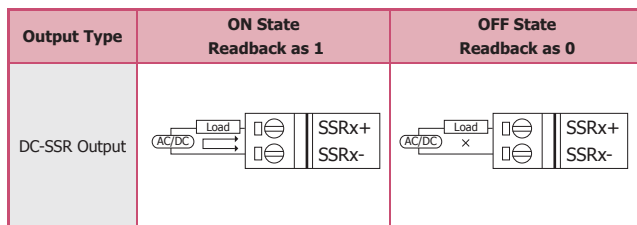
Internal I/O Structure



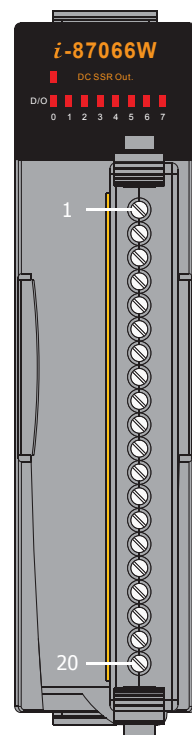
Dimensions (Units: mm)



Wire Connections



Pin Assignments



Terminal No.	Pin Assignment
01	SSR0+
02	SSR0-
03	SSR1+
04	SSR1-
05	-
06	SSR2+
07	SSR2-
08	SSR3+
09	SSR3-
10	-
11	SSR4+
12	SSR4-
13	SSR5+
14	SSR5-
15	-
16	SSR6+
17	SSR6-
18	SSR7+
19	SSR7-
20	-

Ordering Information

I-87066W-G CR	8-channel DC SSR Output Module (Gray Cover) (RoHS)
---------------	--

Accessories

	SG-770 CR	7 channel differential or 14 channel single-ended surge protector (RoHS)
--	-----------	--