

PWS-470

5" Rugged Handheld



- Cortex-A7, Quad-Core processor, 1.2 GHz; support Android 4.2.2
- 5" HD (1280 x 720) capacitive multi touch screen
- Complete communication: Wi-Fi / Bluetooth/ GPS/BeiDou/ WWAN (3.75G)
- Data collection: 1D/ 2D barcode scanner / 8M pixel auto-focus Camera/ NFC RFID reader
- Lightweight, 295g
- IP65-certified, -20 ~ +60° C



Introduction

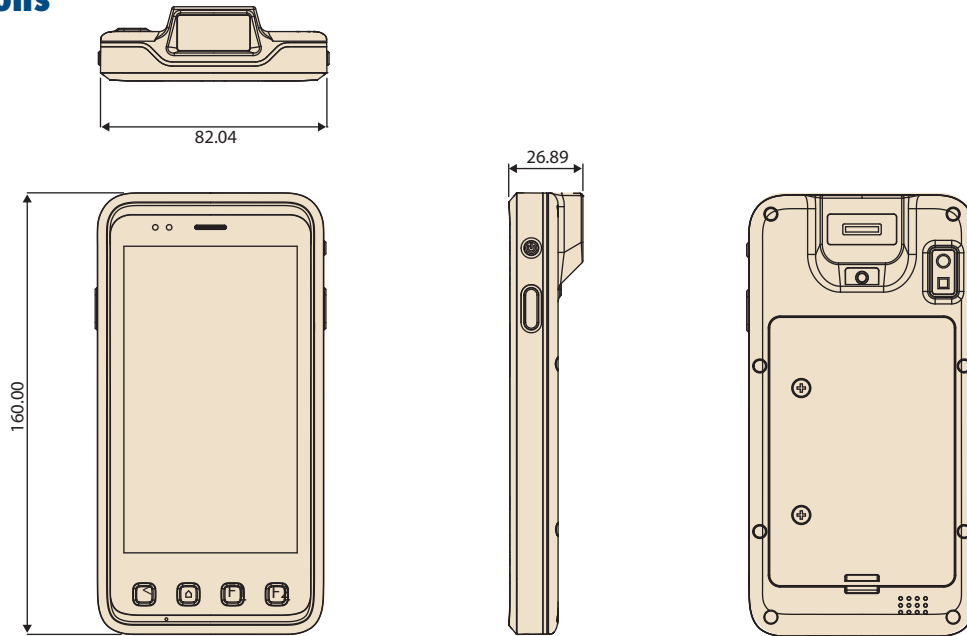
PWS-470 is a rugged handheld computer featuring a 5" HD (1280 x 720) resolution panel and a Cortex-A7, quad-core 1.2 GHz processor. It comes with 802.11 b/g/n WIFI, Bluetooth, GPS, and WWAN features and also provide complete data collection features like 1D/2D barcode scanner, 8M pixel auto-focus camera, and NFC RFID reader. It carries an IP65 rating for protection against dirt, dust, and water and can survive in wide temperature environment from -20 to 60° C. The PWS-470 is a perfect device for application in such as retail, warehousing, manufacture, utility, land surveying, and SFA (sales forces automation).

Specifications

Processor	CPU	Cortex-A7, quad-core processor, 1.2 GHz
OS		Support Android 4.2.2
Memory		1 GB
Storage		8 GB
Audio System		Speaker, Microphone, 3.5mm headset jack
Display	Size / Type	5" color touch screen, IPS panel
	Max. Resolution	HD (1280 X 720)
	Brightness (cd/m ²)	450 cd/m ² LED back light
Touch Panel		Capacitive multi touch screen
Application Buttons		Power button x 1 Scanner trigger buttons x 2 Function keys x 4
I/O Port		1 x MicroSD (up to 32GB) 1 x MicroUSB 2.0 client (via Charging cable)
Communication	WLAN	Internal 802.11b/g/n WLAN module
	Bluetooth	3.0HS+4.0LE
	GNSS	High performance GPS/BeiDou chipset
	WWAN	WCDMA, 3.75G, support HSPA
Data Collection		1D/2D barcode scanner and 8M pixel auto-focus camera NFC, 13.56MHz RFID Reader (optional)
Dimensions & Weight		16 x 8.2 x 1.8 cm, 295 g (with battery)
Power	Battery	Li-Polymer battery, 4.2V@3200 mAh
Environment	Operating Temperature	-20 ~ +60° C
	Storage Temperature	-30 ~ +70° C
	Operating Humidity	5% ~ 95%, non-condensing
IP Certification		IP65
Package Bundle		PWS-470 Li-Polymer battery Battery cover Power Adapter (5V, 1A) MicroUSB data power cable Screw holes rubber mat Battery cover screws
Certifications		CCC

Dimensions

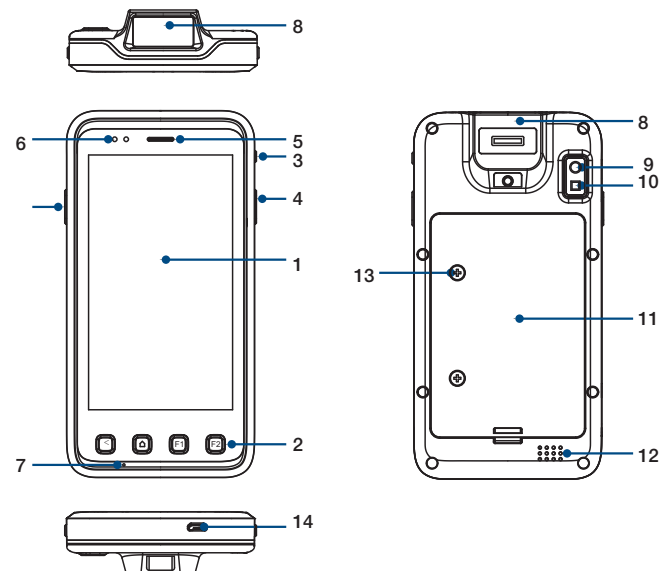
Unit: mm



Ordering Information

Part Number	Description
PWS-470-C10E	PDA/HANDHELD, 5" ANDROID PAD QUAD-CORE 1.2GHZ/1G RAM
PWS-470-C20E	PDA/HANDHELD, 5" ANDROID PAD QUAD-CORE 1.2GHZ/1G RAM W/O 2D

I/O Connectors



1. Touch screen
2. Function keys
3. Power button
4. Scanner trigger buttons
5. Receiver
6. LED
7. Microphone

8. Barcode scanner
9. Camera
10. LED Flash
11. Battery cover
12. Speaker
13. Battery cover screws
14. MicroUSB port