

Product description

HSM220 series(AC 220V) servo motors have various series of frame size: 60mm,80mm,90mm, 110mm,130mm,150mm and 180mm; four series of rated speed: 1500rpm,2000rpm,2500rpm and 3000rpm. Motors are equipped with standard 2500P/R incremental encoder. With selection of high temperature resistance, high energy density permanent magnetic material and optimal design of the electromagnetic parameters HSM220 servo motor can maintain a good working condition and fast response in whole product life cycle.

HNC Electric provides customized solutions based on any specified requirements from customers, e.g.:Rated torque, rated speed, maximum speed, dimension, plug connection & encoders etc.

At a glance

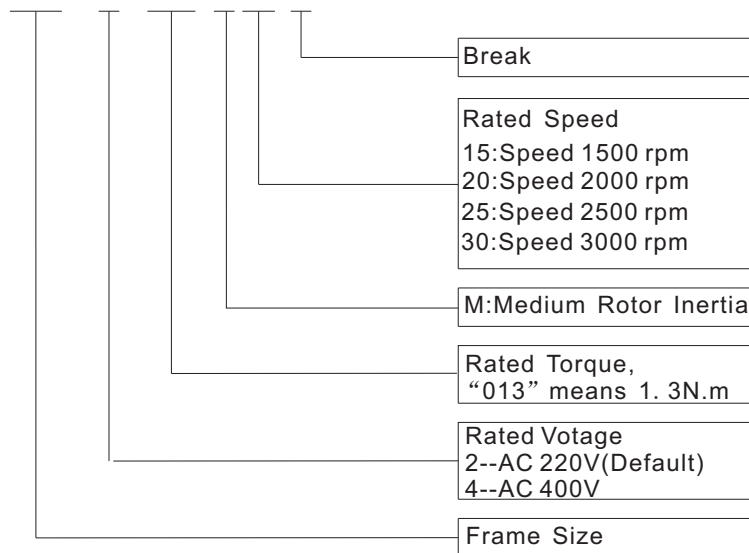
- Compact architecture and high power density
- Middle rotor inertia and rapid response
- Super high coercivity rare earth permanent magnet
- Overheat protection capability(need temperature sensor integrated)
- Strong anti-demagnetization capability
- Various frame installation size
- Full-closed design in IP65

Customer benefits

- Ultra energy saving
- High response and accuracy
- Low noise & low temperature rise
- High reliability makes less maintenance work
- Low rotor inertia, which improves system rapidity(more option for rotor inertia can be customized)

HSM220**Specifcaiton**

Items	Description
Rated Voltage	220V
Encoder Line Number(PPR)	2500
Insulation Class	ClassB
Enclosure rating	IP 65
Ambient operating temperature	-20°C~+50°C
Ambient operating humidity	Below 90% RH No dewing
Thermal protection	optional
Cooling method	air cooling

Model Definition**S60 - 2 - 013 M 30 B**

Model	Rated torque N·m	Max torque N·m	Rated Speed rpm	Max Speed rpm	Rated power kW	Rated voltage Vac	Rated current A	Rotor inertia kg.cm ²	Pole pair	Weight kg	Length mm
Flame size 60											
S60-2-006M30	0.637	1.911	3000	—	0.2	220	1.5	0.17*10 ⁻⁴	4	1.5	1.6
S60-2-013M30	1.27	3.8	3000	—	0.4	220	2.8	0.302*10 ⁻⁴	4	1.9	131
S60-2-019M30	1.91	5.73	3000	—	0.6	220	3.5	0.438*10 ⁻⁴	4	2.2	154
Flame size 80											
S80-2-013M30	1.3	3.9	3000	—	0.4	220	2.6	0.74*10 ⁻⁴	4	2.4	135
S80-2-024M30	2.4	7.2	3000	—	0.75	220	4.2	1.2*10 ⁻⁴	4	3.2	160
S80-2-033M30	3.3	9.9	3000	—	1	220	4.5	1.58*10 ⁻⁴	4	3.9	181
Flame size 90											
S90-2-024M30	2.4	7.2	3000	—	0.75	220	3	2.45*10 ⁻⁴	4	3.4	152

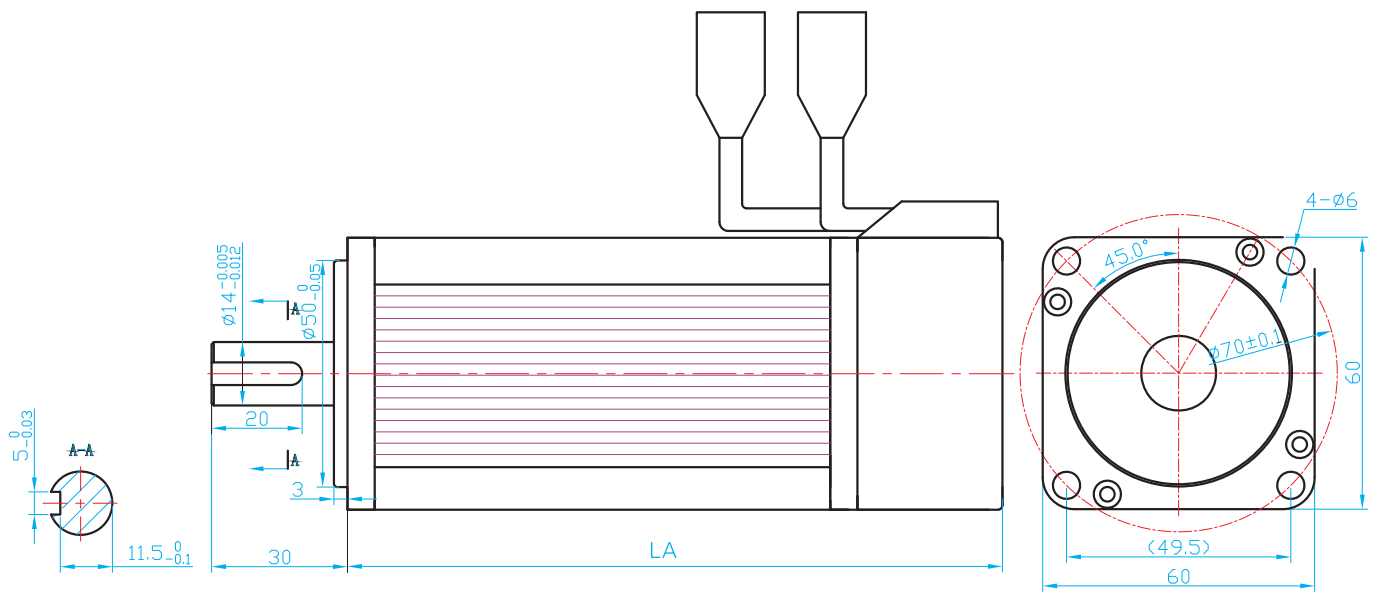
HSM220

Model	Rated torque N·m	Max torque N·m	Rated Speed rpm	Max Speed rpm	Rated power kW	Rated voltage Vac	Rated current A	Rotor inertia kg.cm ²	Pole pair	Weight kg	Length mm
S90-2-035M20	3.5	10.5	2000		0.73	220	4.2	$3.4 \cdot 10^{-4}$	4	4.2	175
S90-2-040M25	4	12	2500		1	220	4.5	$3.7 \cdot 10^{-4}$	4	4.6	185
Flame size 110											
S110-2-020M30	2	6	3000		0.6	220	4	$0.425 \cdot 10^{-3}$	4	4.5	158
S110-2-040M30	4	12	3000		1.2	220	5	$0.828 \cdot 10^{-3}$	4	6.2	189
S110-2-050M30	5	15	3000		1.5	220	6	$0.915 \cdot 10^{-3}$	4	7	204
S110-2-060M20	6	18	2000		1.2	220	6	$1.111 \cdot 10^{-3}$	4	7.8	217
Flame size 130											
S130-2-040M25	4	13	2500		1	220	4	$1.101 \cdot 10^{-3}$	4	6.5	165
S130-2-050M20	5	15	2000		1	220	5	$1.333 \cdot 10^{-3}$	4	7.3	173
S130-2-050M25	5	15	2500		1.3	220	5	$1.333 \cdot 10^{-3}$	4	7.3	173
S130-2-060M25	6	18	2500		1.5	220	6	$1.544 \cdot 10^{-3}$	4	8	183
S130-2-077M20	7.7	23.1	2500		1.6	220	6	$2.017 \cdot 10^{-3}$	4	9.2	197
S130-2-077M25	7.7	23.1	2000		2	220	7.5	$2.017 \cdot 10^{-3}$	4	9.2	197
S130-2-077M30	7.7	23.1	3000		2.4	220	9	$2.017 \cdot 10^{-3}$	4	9.2	197
S130-2-100M15	10	30	1500		1.5	220	6	$2.595 \cdot 10^{-3}$	4	10.8	218
S130-2-100M25	10	30	2500		2.6	220	10	$2.595 \cdot 10^{-3}$	4	10.8	218
S130-2-150M15	15	45	1500		2.3	220	9.5	$3.24 \cdot 10^{-3}$	4	14.4	263
S130-2-150M25	15	45	2500		3.8	220	17	$3.24 \cdot 10^{-3}$	4	14.4	263
Flame size 150											
S150-2-150M25	15	45	2500		3.8	220	16.5	$6.15 \cdot 10^{-3}$	4	19.4	230
S150-2-180M20	18	54	2000		3.6	220	16.5	$6.33 \cdot 10^{-3}$	4	21.2	250
S150-2-230M20	23	69	2000		4.7	220	20.5	$8.94 \cdot 10^{-3}$	4	24.2	280
S150-2-270M20	27	81	2000		5.5	220	20.5	$11.19 \cdot 10^{-3}$	4	27.2	306
Flame size 180											
S180-2-172M15	17.2	43	1500		2.7	220	10.5	$3.4 \cdot 10^{-3}$	4	19.5	226
S180-2-190M15	19	47	1500		3	220	12	$3.8 \cdot 10^{-3}$	4	20.5	232
S180-2-215M20	21.5	53	2000		4.5	220	16	$4.7 \cdot 10^{-3}$	4	22.2	243
S180-2-270M10	27	67	1000		2.9	220	12	$6.1 \cdot 10^{-3}$	4	25.5	262
S180-2-270M15	27	67	1500		4.3	220	16	$6.1 \cdot 10^{-3}$	4	25.5	262
S180-2-350M10	35	70	1000		3.7	220	16	$8.6 \cdot 10^{-3}$	4	30.5	292
S180-2-350M15	35	70	1500		5.5	220	24	$8.6 \cdot 10^{-3}$	4	30.5	292
S180-2-480M15	48	96	1500		7.5	220	32	$9.5 \cdot 10^{-3}$	4	40	346

HSM220

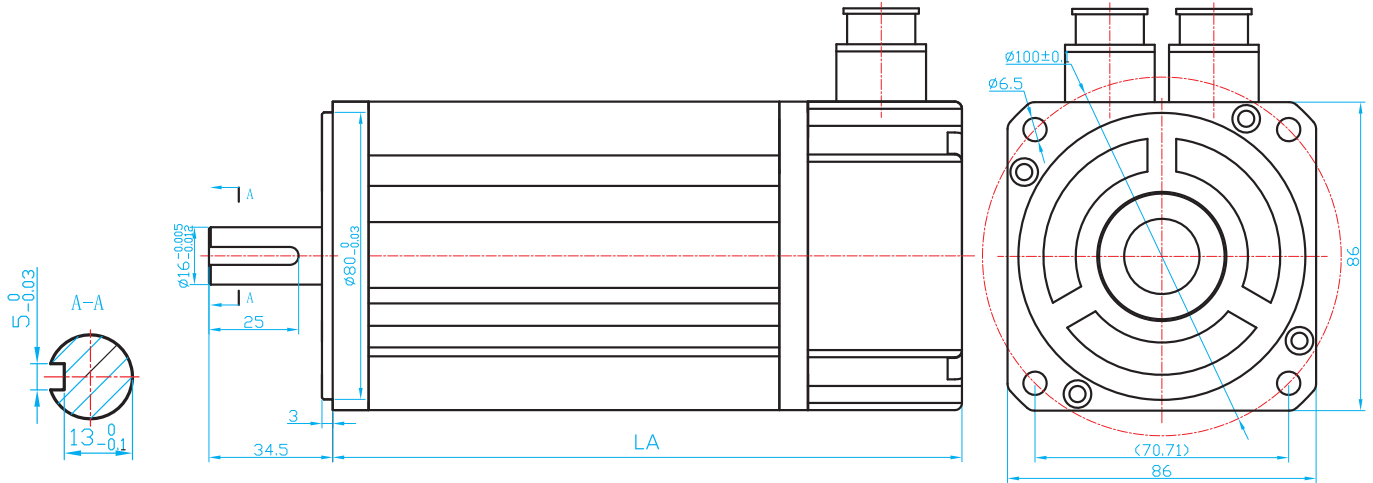
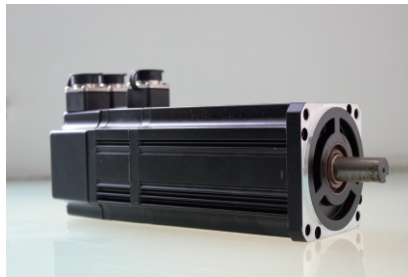
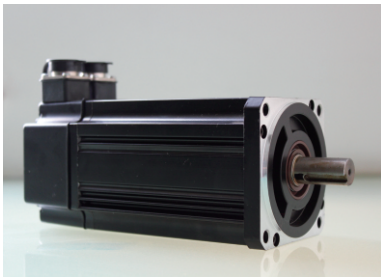
Dimensional Drawing

Flame Size 60

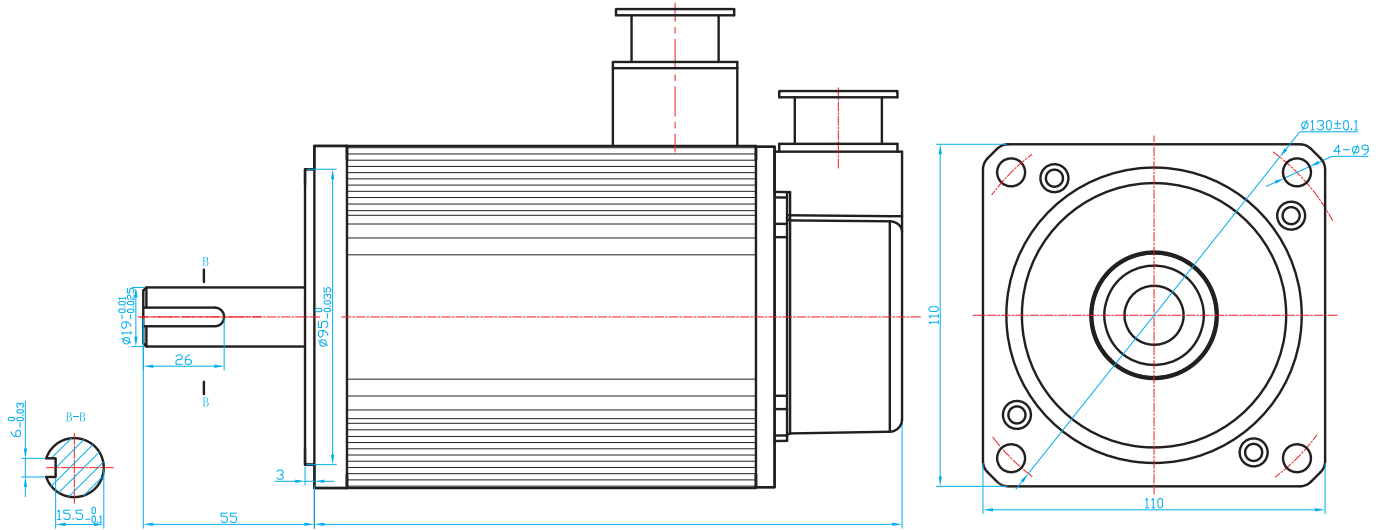
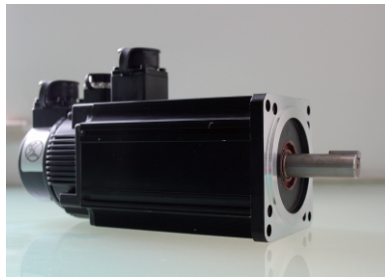
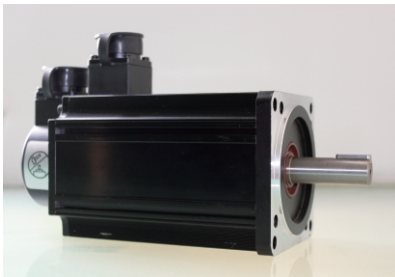


HSM220

Flame Size 90

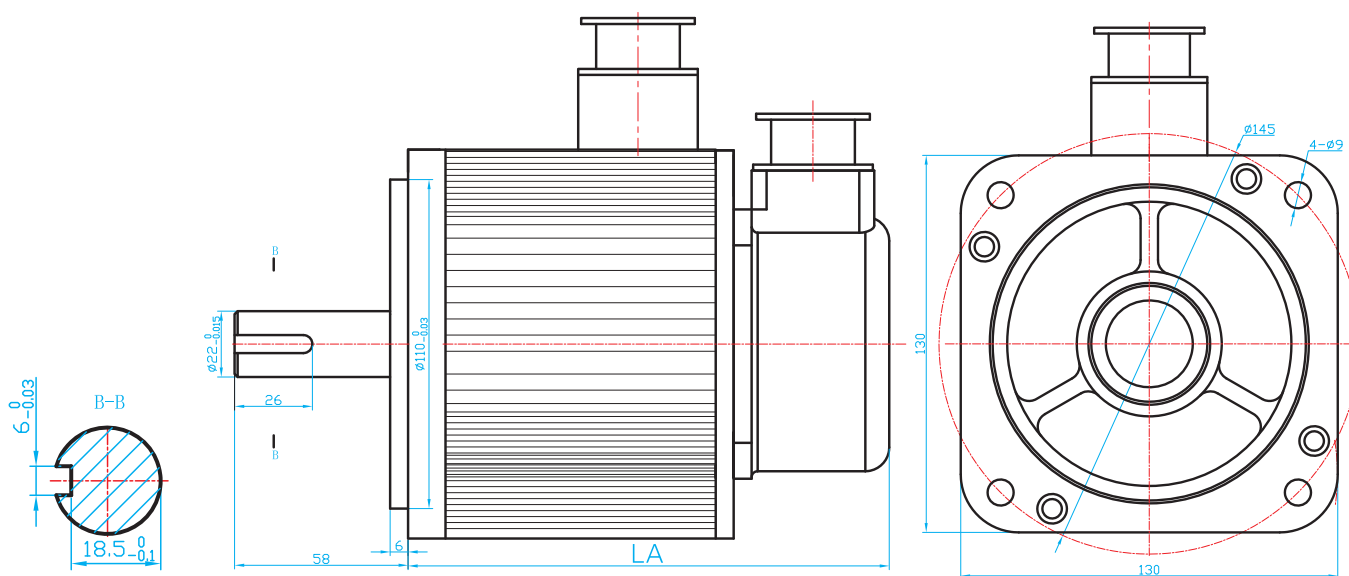


Flame Size 110

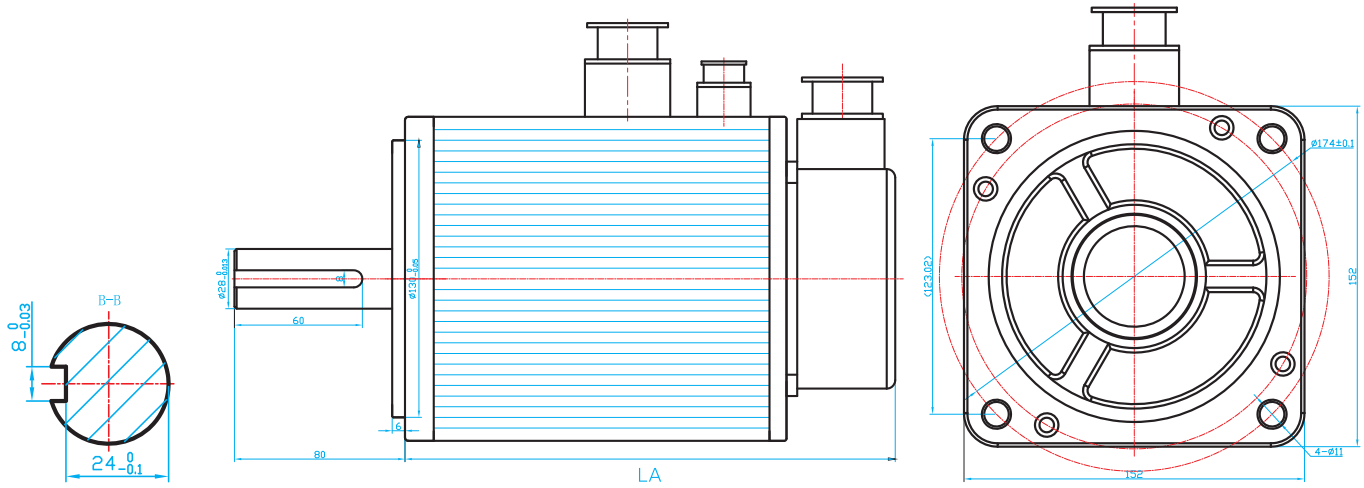
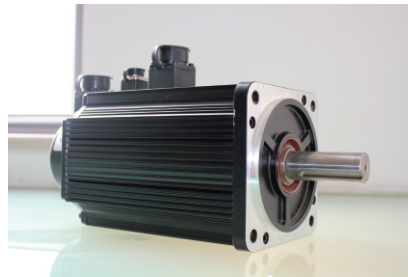
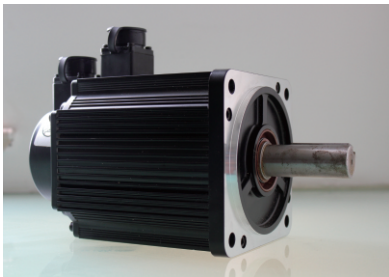


HSM220

Flame Size 130



Flame Size 150



HSM220

Flame Size 180

