



**WP-9000-CE7**

**Highlight Information**

- Windows CE 7.0
- Cortex-A8 (1.0 GHz)
- Hard Real-Time Capability
- 64-bit Hardware Serial Number
- Rich I/O Expansion Ability (RS-232/RS-485, FRnet,CAN)
- Redundant Power Input
- Operating Temperature: -25 ~ +75 °C

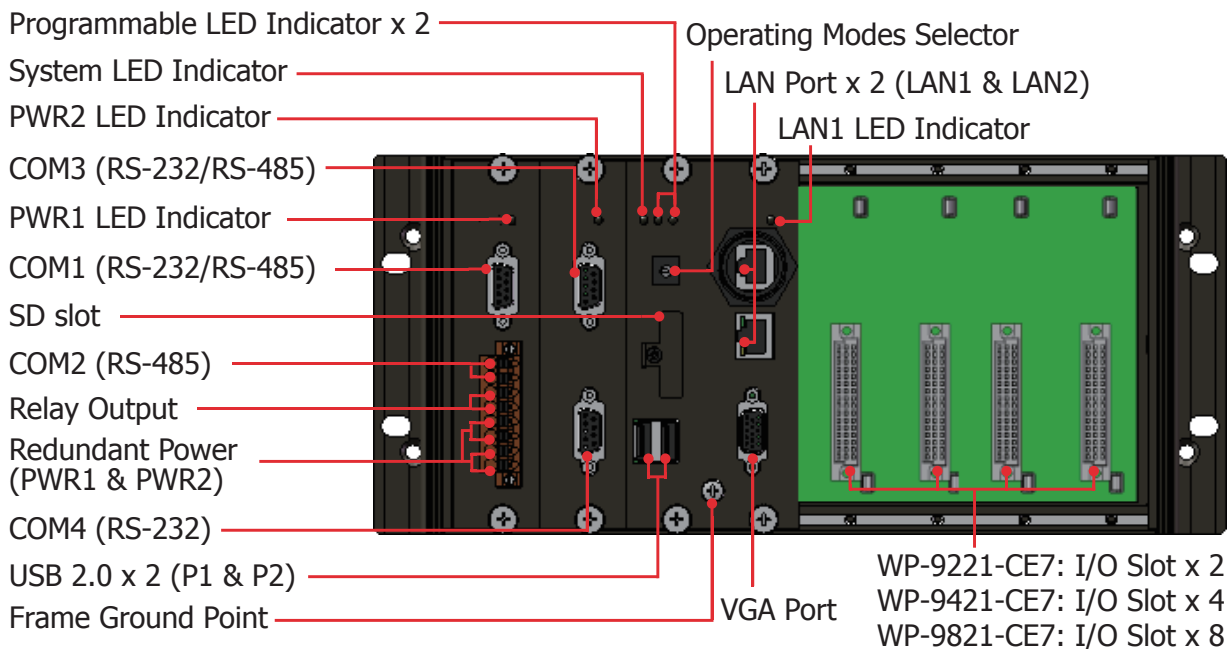


**Introduction**

The WP-9000-CE7 is the new generation Windows CE 7.0 based PAC (Programmable Automation Controller) of ICP DAS. Each WP-9000 is equipped with a Cortex-A8 (1.0 GHz) CPU running a Windows CE 7.0 operating system, a variant of input/output ports (VGA, USB, Ethernet, RS-232/485), and 2/4/8 expansion I/O slots that can be used to integrate high performance I-9K (parallel-type) and I-97K (serial-type) series I/O modules.

Its operating system, Windows CE 7.0, has many advantages, including hard real-time capability, small core size, fast boot speed, interrupt handling at a deeper level, achievable deterministic control and low cost. Using Windows CE 7.0 in the WP-9000-CE7 gives it the ability to run PC-based Control software such as Visual Basic.NET, Visual C#, Visual C++, SCADA software, Soft PLC ...etc.

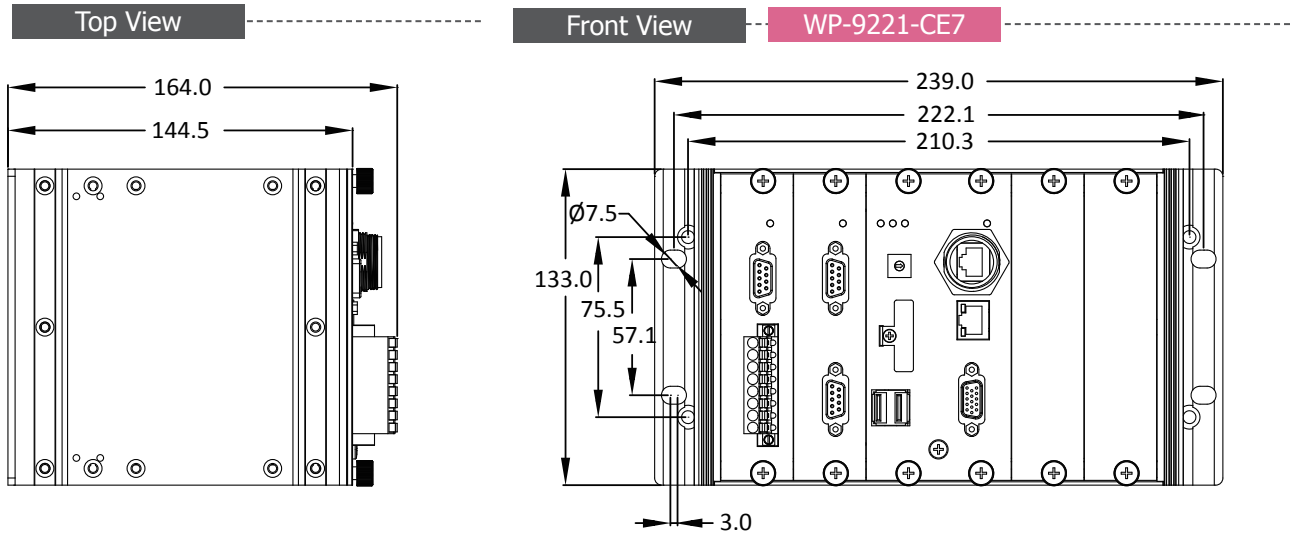
**Appearance**



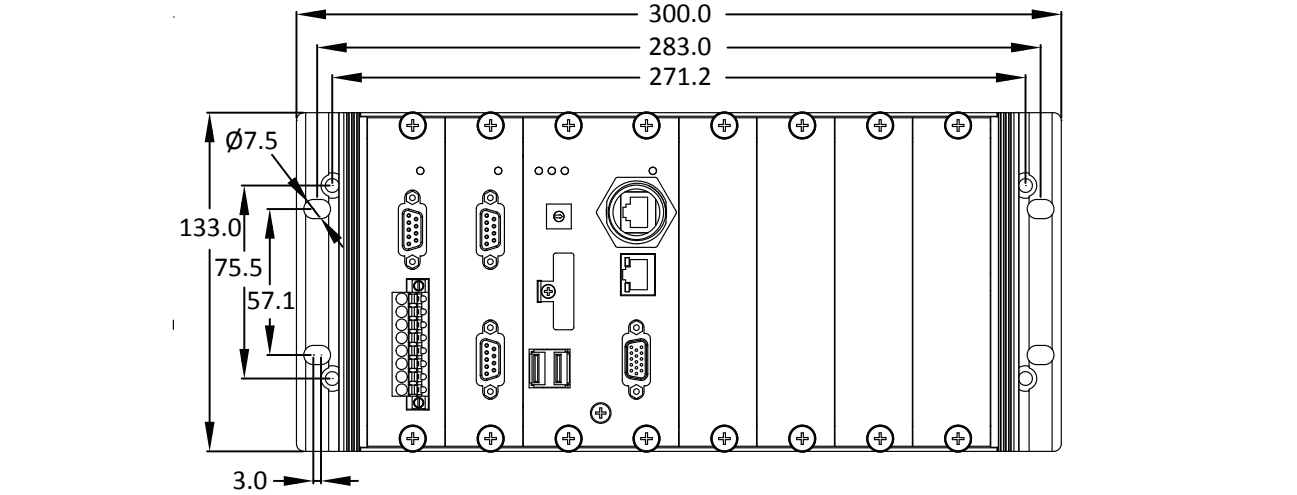
**Specifications**

Models	WP-9221-CE7	WP-9421-CE7	WP-9821-CE7
<b>System Software</b>			
OS	Windows CE 7.0		
.Net Compact Framework	3.5		
Embedded Service	FTP server, Web server (supports VB script, JAVA script), Embedded SQL server		
SDK Provided	DII for VC, DII for Visual Studio.Net 2008		
Multilanguage Support	English, German, French, Spanish, Russian, Italian, Korean, Simplified Chinese, Traditional Chinese		
<b>CPU Module</b>			
CPU	Cortex-A8 (1.0 GHz)		
SDRAM	512 MB DDR3		
MRAM	128 KB		
Flash	256 MB		
EEPROM	16 kB		
SD	SD slot with one SD card (support up to 32 GB)		
RTC (Real Time Clock)	Provide second, minute, hour, date, day of week, month, year		
64-bit Hardware Serial Number	Yes, for Software Copy Protection		
Dual Watchdog Timers	Yes		
Programmable LED Indicator	2 (L1, L2)		
Rotary Switch	Yes (0 ~ 9)		
<b>VGA &amp; Communication Ports</b>			
VGA Resolution	800 x 600, 1024 x 768		
Dual Ethernet Ports	RJ-45, 10/100/1000M Base-TX		
USB 2.0	2		
COM0	Internal communication with the high profile I-97K series modules in slots		
COM1	RS-232/485 (RxD, TxD and GND for RS-232; Data+, Data- for RS-485); 3000 V <sub>dc</sub> isolated		
COM2	RS-485 (Data+, Data-); 3000 V <sub>dc</sub> isolated		
COM3	RS-232/485 (RxD, TxD, CTS, RTS and GND for RS-232; Data+, Data- for RS-485); 3000 V <sub>dc</sub> isolated		
COM4	RS-232 (RxD, TxD, CTS, RTS, DSR, DTR, CD, RI and GND); 3000 V <sub>dc</sub> isolated		
I/O Expansion Slots	2	4	8
<b>Mechanical</b>			
Dimensions (W x L x H)	239 mm x 133 mm x 164 mm	300 mm x 133 mm x 164 mm	422 mm x 133 mm x 164 mm
Installation	Wall Mounting		
<b>Environmental</b>			
Operating Temperature	-25 ~ +75 °C		
Storage Temperature	-30 ~ +80 °C		
Ambient Relative Humidity	10 ~ 90% RH (non-condensing)		
<b>Power</b>			
Input Range	+10 ~ +30 V <sub>dc</sub>		
Isolation	1 kV		
Redundant Power Inputs	Yes, with one power relay (1 A @ 24 V <sub>dc</sub> ) for alarm		
Capacity	1.5 A, 5 V supply to CPU and backplane; 6.5 A, 5 V supply to I/O expansion slots, total 40 W		
Consumption	10.8 W (0.45 A @ 24 V <sub>dc</sub> )		

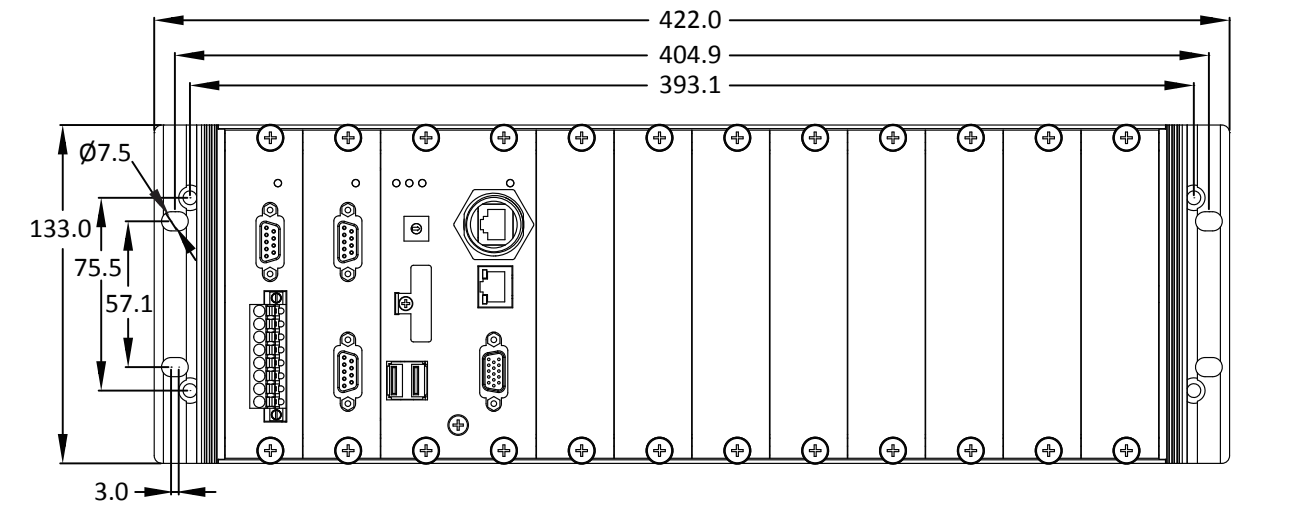
Dimensions



Front View WP-9221-CE7



Front View WP-9421-CE7



Front View WP-9821-CE7

Ordering Information

WP-9221-CE7	Standard WinPAC-9000-CE7 with 2 I/O Slots
WP-9421-CE7	Standard WinPAC-9000-CE7 with 4 I/O Slots
WP-9821-CE7	Standard WinPAC-9000-CE7 with 8 I/O Slots