



LX-8000/9000 Series User Manual

V1.1.2 Oct. 2021



LX-9171/LX-9371/LX-9771
LX-9181/LX-9381/LX-9781



LX-8031/8131/LX-8331/LX-8731

Warranty

All products manufactured by ICP DAS are under warranty regarding defective materials for a period of one year, beginning from the date of delivery to the original purchaser.

Warning

ICP DAS assumes no liability for any damage resulting from the use of this product. ICP DAS reserves the right to change this manual at any time without notice. The information furnished by ICP DAS is believed to be accurate and reliable. However, no responsibility is assumed by ICP DAS for its use, not for any infringements of patents or other rights of third parties resulting from its use.

Copyright

Copyright © 2021 by ICP DAS Co., Ltd. All rights are reserved.

Trademark

The names used for identification only may be registered trademarks of their respective companies.

Contact US

If you have any problem, please feel free to contact us.

You can count on us for quick response.

Email: service@icpdas.com

Contents

Contents.....	3
1. Introduction	5
1.1. Features	6
1.2. Specifications	7
1.3. Overview	13
1.4. LX-8000 Series Dimensions.....	20
1.5. LX-9000 Series Dimensions.....	22
2. LX-8000/9000 Getting Started	24
2.1. Mounting the LX-8000	25
2.2. Mounting the LX-9000	28
2.3. Installing the RJ-45 waterproof connector assembly	32
2.4. Deploying a Basic LX-8000/9000 System.....	35
2.5. Console Port Connection	38
2.6. LAN1/LAN2 Network Configuration	39
2.6.1. Set Static IP	40
2.7. LAN1/LAN2 Network Connection	41
2.8. Inserting the I/O Modules	43
2.9. Change password at first login	47
2.10. Recovering factory OS from CF Card to Flash.....	48
2.11. Update CF card recover file version	50
3. Instructions for LX-8000/9000	52
3.1. Basic Linux Command	53
3.1.1. Linux Command “ls”	54
3.1.2. Linux Command “cd”	55
3.1.3. Linux Command “mkdir”	56
3.1.4. Linux Command “rm”	57
3.1.5. Linux Command “cp”	58
3.1.6. Linux Command “mv”	59
3.1.7. Linux Command “pwd”	60
3.1.8. Linux Command “chmod”	61
3.1.9. Linux Command “uname”	62

3.1.10. Linux Command “ps”	63
3.1.11. Linux Command “date”	64
3.1.12. Linux Command “netstat”	65
3.1.13. Linux Command “ifconfig”	66
3.1.14. Linux Command “wget”	67
3.1.15. Linux Command “ping”	68
3.1.16. Linux Command “clear”	69
3.1.17. Linux Command “passwd”	70
3.1.18. Linux Command “update-rc.d”	71
3.1.19. Linux Command “reboot”	72
3.2. i-Talk Utility	73
3.3. LX-8000/9000 SDK	79
4. Your First LX-8000/9000 Program	81
4.1. Your First LX-8000/9000 Program with C Language	82
4.1.1. Find Demo “helloworld.c” in SDK	83
4.1.2. Compile/Execute Demo “helloworld”	84
4.1.3. Execute Demo at Boot Time	85
5. Application for LX-8000/9000	86
5.1. Advanced Package Tool	87
5.2. SFTP (secure file transfer program)	88
5.3. LAMP	89
5.4. XFCE (secure file transfer program)	90
5.5. Network redundancy	92
6. Additional Support	95
6.1. N-Port Modules Support	96
6.2. 3G/4G Module Support	98
7. LX-8000/9000 Internet Service	102
Appendix	103
A. I-8K Modules and I-87K Modules	103
B. I-9K Modules and I-97K Modules	104
C. Revision History	105

1. Introduction

This chapter provides an overview of the LX-8000/9000 and its components, and introduces the fundamental concepts for user familiar with the LX-8000/9000.



The LX-8000/9000 are Linux OS based PACs that combine computing, I/O, and operator interface into a single unit, and provide the perfect solution for integrating HMI, data acquisition and control in an individual PAC.

It is equipped with an x86 CPU, 0/1/3/7 I/O expansion slots and a variety of connectives including dual Gigabit Ethernet, VGA, USB port, RS-232 and RS-485 interface. Local I/O slots are available to use I-8K/9K and I-87K/97K series I/O modules and remote I/O expansions are available to use our Ethernet I/O modules and RS-485 I/O modules.

1.1. Features

The LX-8000/9000 offers the most comprehensive configuration and remote system upgrade solutions to meet specific application requirements. The following list shows the hardware and software features designed to simplify installation, configuration and application.

- Powerful CPU Module
 - x86 CPU (1 GHz, dual-core) for LX-8031/8131/8331/8731
 - E3845 (1.91 GHz, 64-bit quad core) for LX-9181/9381/9781
 - E3827 (1.75 GHz, 64-bit dual core) for LX-9171/ 9371/9771

- Linux OS
 - Linux Kernel 3.2 for LX-8x31 series
 - Linux Kernel 4.14 for LX-9x71/9x81 series

- Memory Size:
 - SDRAM (2 GB DDR3) for LX-8x31/9x71 series
 - SDRAM (4 GB DDR3) for LX-9x81 series
 - Flash (32 GB SSD)
 - CF Card (support up to 32 GB)

- 64-bit Hardware Serial Number

- Rich I/O Expansion Ability
 - RS-232/RS-485
 - USB

- Redundant Power Input
- Operating Temperature :
 - -25 °C to +60 °C for LX-9x81 series
 - -25 °C to +75 °C for LX-8x31/9x71 series

1.2. Specifications

The table below summarizes the specifications of LX-8x31 series.

Models	LX-8031	LX-8131	LX-8331	LX-8731
CPU Module				
OS	Linux OS with kernel 3.2			
Embedded Service	SFTP server, Web server, SSH			
SDK Provided	Standard LinPAC SDK for Linux by GNU C language			
CPU	x86 CPU, 1 GHz, dual-core			
SDRAM	2 GB DDR3			
MRAM, Non-volatile Memory	512 KB (retain memory without battery support)			
Flash	32 GB			
EEPROM	16 KB; Data Retention: 40 years; 1,000,000 erase/write cycles			
CF Card	CF slot with one CF card (support up to 32 GB)			
RTC (Real Time Clock)	Provide second, minute, hour, date, day of week, month, year			
64-bit Hardware Serial Number	Yes, for software copy protection			
Dual Watchdog Timers	Yes (0.8 second)			
Rotary Switch	Yes (0 to 9)			
DIP Switch	No	Yes (8 bits)		
Programmable LED Indicator	3 (Run, L1 and L2)			
VGA & Communication Ports				
VGA Resolution	1600 x 1200, 1024 x 768, 800 x 600, 640 x 480			
Dual Ethernet Port	RJ-45 x 2, 10/100/1000 Base-T (Auto-negotiating, Auto MDI/MDI-X, LED indicators)			
USB 2.0	4			
ttySA0	RS-232 (RxD, TxD and GND); non-isolated	Internal communication with high profile I-87K series modules in slots		

Console	RS-232 (RxD, TxD and GND); non-isolated			
ttyS0	RS-485 (Data+, Data-) with internal self-tuner ASIC; 3000 V _{DC} isolated			
ttyS1	RS-232/RS-485 (RxD, TxD, CTS, RTS and GND for RS-232, Data+ and Data- for RS-485); non-isolated			
ttyS34	RS-232 (RxD, TxD, CTS, RTS, DSR, DTR, CD, RI and GND); non-isolated			
I/O Expansion Slots				
Number of I/O slots	0	1	3	7
Supported I/O modules	-	I-8K and I-87K series I/O Modules		
Mechanical				
Dimensions (W x L x H), unit: mm	137x132x125	169 x 132 x 125	231 x 132 x 125	355 x 132 x 125
Installation	DIN-Rail or Wall Mounting			
Environmental				
Operating Temperature	-25 °C to +75 °C			
Storage Temperature	-30 °C to + 80 °C			
Ambient Relative Humidity	10 % to 90 % RH (non-condensing)			
Power				
Input Range	+10 V _{DC} to +30 V _{DC}			
Redundant Power Inputs	Yes, with one power relay (1 A @ 24 V _{DC}) for alarm			
Isolation	1 kV			
Capacity	2.2 A, 5 V supply to CPU and backplane, 20W in total	3.7 A, 5 V supply to CPU and backplane, 1.3 A, 5 V supply to I/O expansion slots, 20 W in total	3.8 A, 5 V supply to CPU and backplane, 3.2 A, 5 V supply to I/O expansion slots, 35 W in total	4.0 A, 5 V supply to CPU and backplane, 3.0 A, 5 V supply to I/O expansion slots, 35 W in total
Consumption	12W (0.5 A @ 24 VDC)	16.6 W (0.69 A @ 24 VDC)	16.8 W (0.7 A @ 24 VDC)	18 W (0.75 A @ 24 VDC)

The table below summarizes the specifications of LX-9x71.

Models	LX-9171	LX-9371	LX-9771
System Software			
OS	Linux OS with kernel 4.14		
Embedded Service	SFTP server, Web server, SSH		
SDK Provided	Standard LinPAC SDK for Linux by GNU C language		
CPU Module			
CPU	E3827 (1.75 GHz, 64-bit dual core)		
SDRAM	2 GB DDR3		
MRAM	512 KB		
Flash(SSD)	mSATA slot with one 32 GB SSD		
EEPROM	16 KB		
Memory Expansion	CF socket with one 16GB CF card (support up to 32 GB)		
RTC (Real Time Clock)	Provide second, minute, hour, date, day of week, month, year		
64-bit Hardware Serial Number	Yes, for software copy protection		
Dual Watchdog Timers	Yes (0.8 second)		
Programmable LED Indicator	3 (Run, L1, L2)		
Rotary Switch	Yes (0 ~ 9)		
VGA/HDMI Communication Ports			
VGA Resolution	1280 x 1024 to 1920 x 1080 (16 : 9) /640 x 480 to 1024 x 768 (4 : 3)		
HDMI Resolution	1280 x 1024 to 1920 x 1080 (16 : 9) /640 x 480 to 1024 x 768 (4 : 3)		
Ethernet Port	RJ-45 x 2, 10/100/1000M Base-TX (Auto-negotiating, Auto MDI/MDI-X, LED indicators)		
USB 2.0	4		
ttySA0	Internal communication with the I-97K series modules in slots		
Console	RS-232/485 (RxD, TxD and GND for RS-232; Data+, Data- for RS-485); 3000 V _{DC} isolated		
ttyS0	RS-485 (Data+, Data-); 3000 V _{DC} isolated		
ttyS1	RS-232/485 (RxD, TxD, CTS, RTS and GND for RS-232; Data+, Data- for RS-485); 3000 V _{DC} isolated		
ttyS34	RS-232 (RxD, TxD, CTS, RTS, DSR, DTR, CD, RI and GND); 3000 V _{DC}		

	isolated		
I/O Expansion Slot	1	3	7
Supported I/O modules	I-9K and I-97K series I/O Modules		
Mechanical			
Dimensions (W x H x D, unit: mm)	239 x 164 x 133	300 x 164 x 133	422 x 164 x 133
Installation	Wall mounting /DIN-rail mounting		
Environmental			
Operating Temperature	-25 °C to +75 °C		
Storage Temperature	-30 °C to +80 °C		
Ambient Relative Humidity	10 % to 90 % RH (non-condensing)		
Power			
Input Range	+10 V _{DC} to +30 V _{DC}		
Isolation	1 kV		
Redundant Power Inputs	Yes, with one power relay (1 A @ 24 V _{DC}) for alarm		
Capacity	3.7 A, 5 V supply to CPU and backplane, 3.3 A, 5 V supply to I/O expansion slots, 35 W in total	3.8 A, 5 V supply to CPU and backplane, 3.2 A, 5 V supply to I/O expansion slots, 35 W in total	4.0 A, 5 V supply to CPU and backplane, 3.0 A, 5 V supply to I/O expansion slots, 35 W in total
Consumption	16.6 W (0.69 A @ 24 V _{DC})	16.8 W (0.7 A @ 24 V _{DC})	18 W (0.75 A @ 24 V _{DC})

The table below summarizes the specifications of LX-9x81 series.

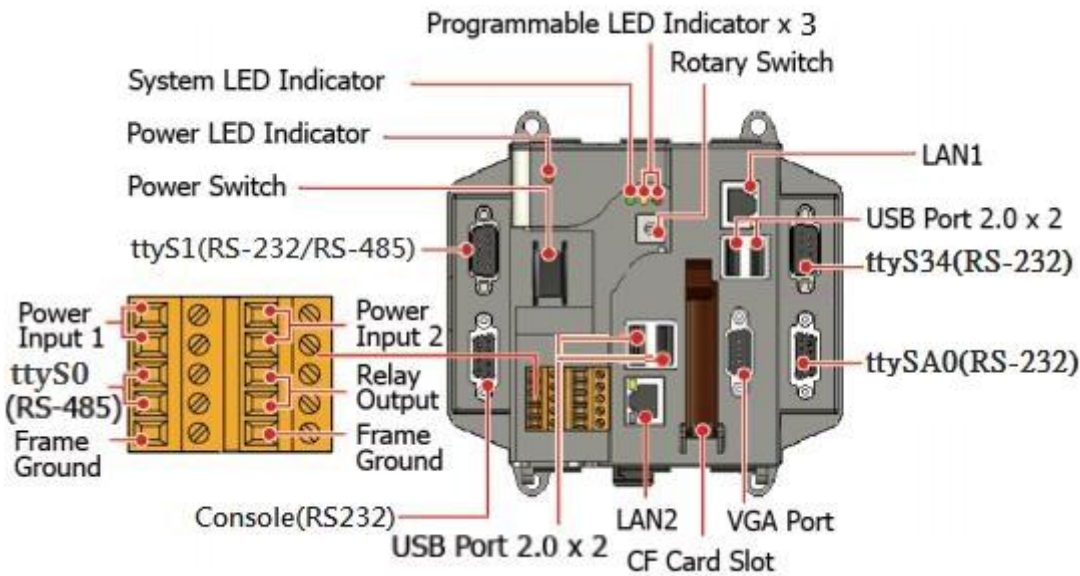
Models	LX-9181	LX-9381	LX-9781
System Software			
OS	Linux OS with kernel 4.14		
Embedded Service	SFTP server, Web server, SSH		
SDK Provided	Standard LinPAC SDK for Linux by GNU C language		
CPU Module			
CPU	E3845 (1.91 GHz, 64-bit quad core)		
SDRAM	4 GB DDR3		
MRAM	512 KB		
Flash(SSD)	mSATA slot with one 32 GB SSD		
EEPROM	16 KB		
Memory Expansion	CF socket with one 16GB CF card (support up to 32 GB)		
RTC (Real Time Clock)	Provide second, minute, hour, date, day of week, month, year		
64-bit Hardware Serial Number	Yes, for software copy protection		
Dual Watchdog Timers	Yes (0.8 second)		
Programmable LED Indicator	3 (Run, L1, L2)		
Rotary Switch	Yes (0 ~ 9)		
VGA/HDMI Communication Ports			
VGA Resolution	1280 x 1024 to 1920 x 1080 (16 : 9) /640 x 480 to 1024 x 768 (4 : 3)		
HDMI Resolution	1280 x 1024 to 1920 x 1080 (16 : 9) /640 x 480 to 1024 x 768 (4 : 3)		
Ethernet Port	RJ-45 x 2, 10/100/1000M Base-TX (Auto-negotiating, Auto MDI/MDI-X, LED indicators)		
USB 2.0	4		
ttySA0	Internal communication with the I-97K series modules in slots		
Console	RS-232/485 (RxD, TxD and GND for RS-232; Data+, Data- for RS-485); 3000 V _{DC} isolated		
ttyS0	RS-485 (Data+, Data-); 3000 V _{DC} isolated		
ttyS1	RS-232/485 (RxD, TxD, CTS, RTS and GND for RS-232; Data+, Data- for RS-485); 3000 V _{DC} isolated		
ttyS34	RS-232 (RxD, TxD, CTS, RTS, DSR, DTR, CD, RI and GND); 3000 V _{DC}		

	isolated		
I/O Expansion Slot	1	3	7
Supported I/O modules	I-9K and I-97K series I/O Modules		
Mechanical			
Dimensions (W x H x D, unit: mm)	239 x 164 x 133	300 x 164 x 133	422 x 164 x 133
Installation	Wall mounting / DIN-rail mounting		
Environmental			
Operating Temperature	-25 °C to +60 °C		
Storage Temperature	-30 °C to +80 °C		
Ambient Relative Humidity	10 % to 90 % RH (non-condensing)		
Power			
Input Range	+10 V _{DC} to +30 V _{DC}		
Isolation	1 kV		
Redundant Power Inputs	Yes, with one power relay (1 A @ 24 V _{DC}) for alarm		
Capacity	4.1 A, 5 V supply to CPU and backplane, 2.5 A, 5 V supply to I/O expansion slots, 33 W in total	4.2 A, 5 V supply to CPU and backplane, 2.4 A, 5 V supply to I/O expansion slots, 33 W in total	4.4 A, 5 V supply to CPU and backplane, 2.2 A, 5 V supply to I/O expansion slots, 33 W in total
Consumption	18.5 W (0.77 A @ 24 V _{DC})	18.7 W (0.78 A @ 24 V _{DC})	20.4 W (0.85 A @ 24 V _{DC})

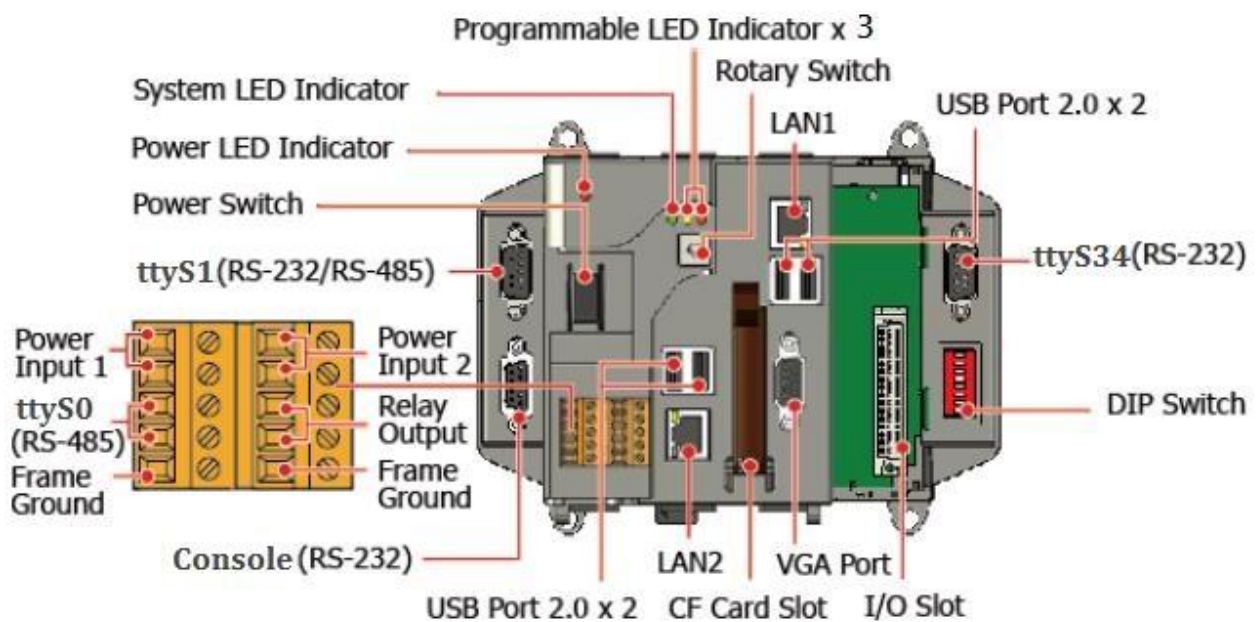
1.3. Overview

The LX-8000/9000 Series modules are equipped with several interfaces and peripherals that can be integrated with external systems. Here is an overview of the components and its descriptions.

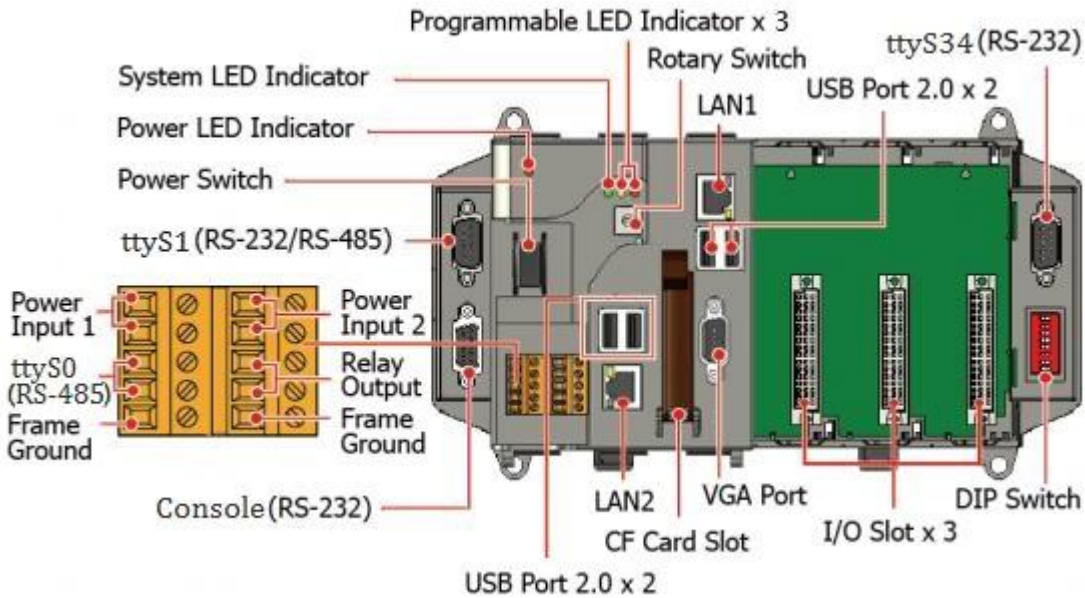
LX-8031



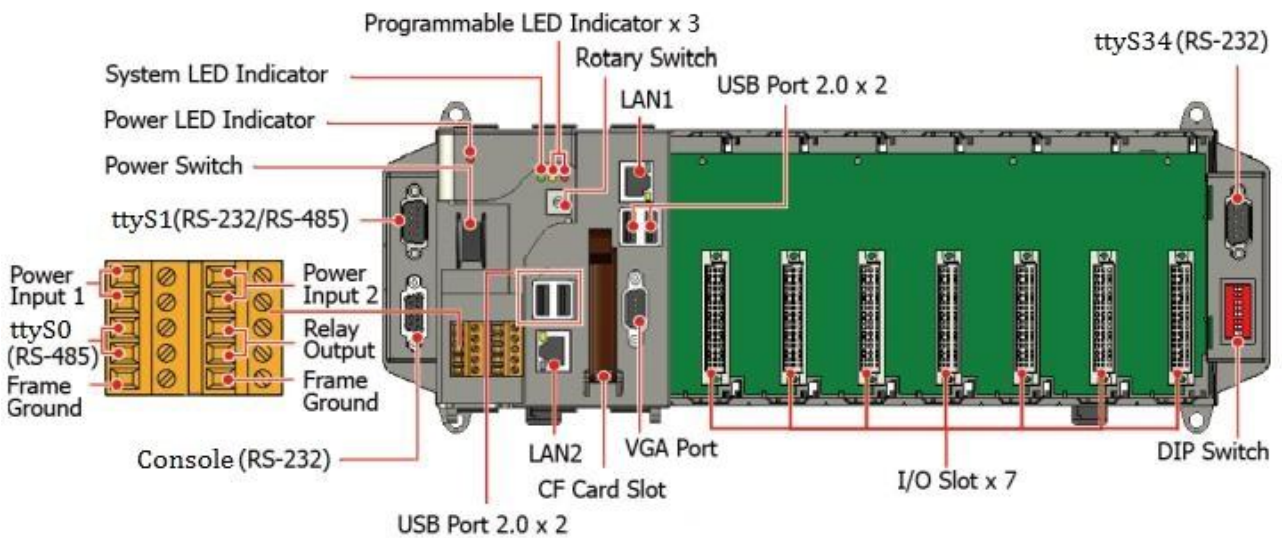
LX-8131



LX-8331



LX-8731



● **ttySA0 (RS-232) (for LX-8031 only)**

The ttySA0 port is a 9-pins RS-232 connector. The details of the ttySA0 port specifications are shown to the side.

Note: 16C550 compatible

Port Type: Male

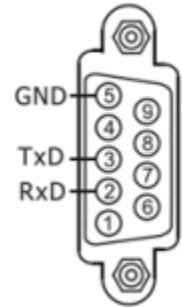
Baud Rate: 115200, 57600, 38400, 19200, 9600, 4800, 2400, 1200 bps

Data Bits: 5, 6, 7, 8

Parity: None, Even, Odd, Mark (Always 1), Space (Always 0)

Stop Bits: 1, 2

FIFO: 128 bytes



● **Console (RS-232)**

The Console port is a 9-pins RS-232 connector. The details of the Console port specifications are shown to the side.

Note: 16C550 compatible

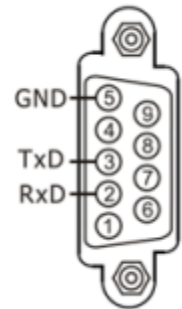
Port Type: Female

Baud Rate: 115200, 57600, 38400, 19200, 9600, 4800, 2400, 1200 bps

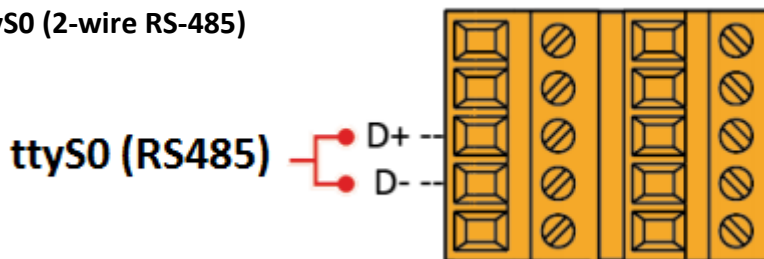
Data Bits: 7, 8

Parity: None, Even, Odd Stop Bits: 1

FIFO: 1 byte



● **ttyS0 (2-wire RS-485)**



Note: 16C550 compatible

Port Type: Terminals

Baud Rate: 115200, 57600, 38400, 19200, 9600, 4800, 2400, 1200 bps

Data Bits: 5, 6, 7, 8

Parity: None, Even, Odd, Mark (Always 1), Space (Always 0)

Stop Bits: 1, 2

FIFO: 128 bytes

● **ttyS1 (RS-232/RS-485)**

The ttyS1 port is a 9-pins RS-232/RS-485 connector. The details of the ttyS1 port specifications are shown to the side.

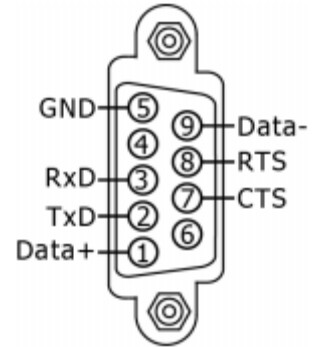
Note: 16C550 compatible

Port Type: Male

Baud Rate: 115200, 57600, 38400, 19200, 9600, 4800, 2400, 1200 bps

Data Bits: 5, 6, 7, 8

Parity: None, Even, Odd, Mark (Always 1), Space (Always 0)



ttyS1 can be configured as either RS-232 or RS-485, that only can select one at a time and its configuration depends on the pin connections as follows:

- **RS-232** (RXD, TXD, CTS, RTS and GND)

- **RS-485** (Data+ and Data-)

There is no software configuration or hardware jumper needed.

● **ttyS34 (RS-232)**

The ttyS34 port is a 9-pins RS-232 connector. The details of the ttyS34 port specifications are shown to the side.

Note: 16C550 compatible

Port Type: Male

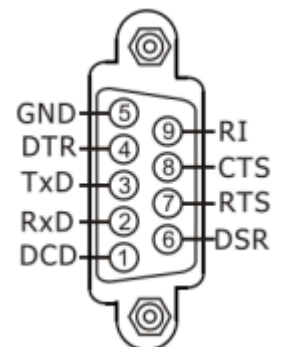
Baud Rate: 115200, 57600, 38400, 19200, 9600, 4800, 2400, 1200 bps

Data Bits: 5, 6, 7, 8

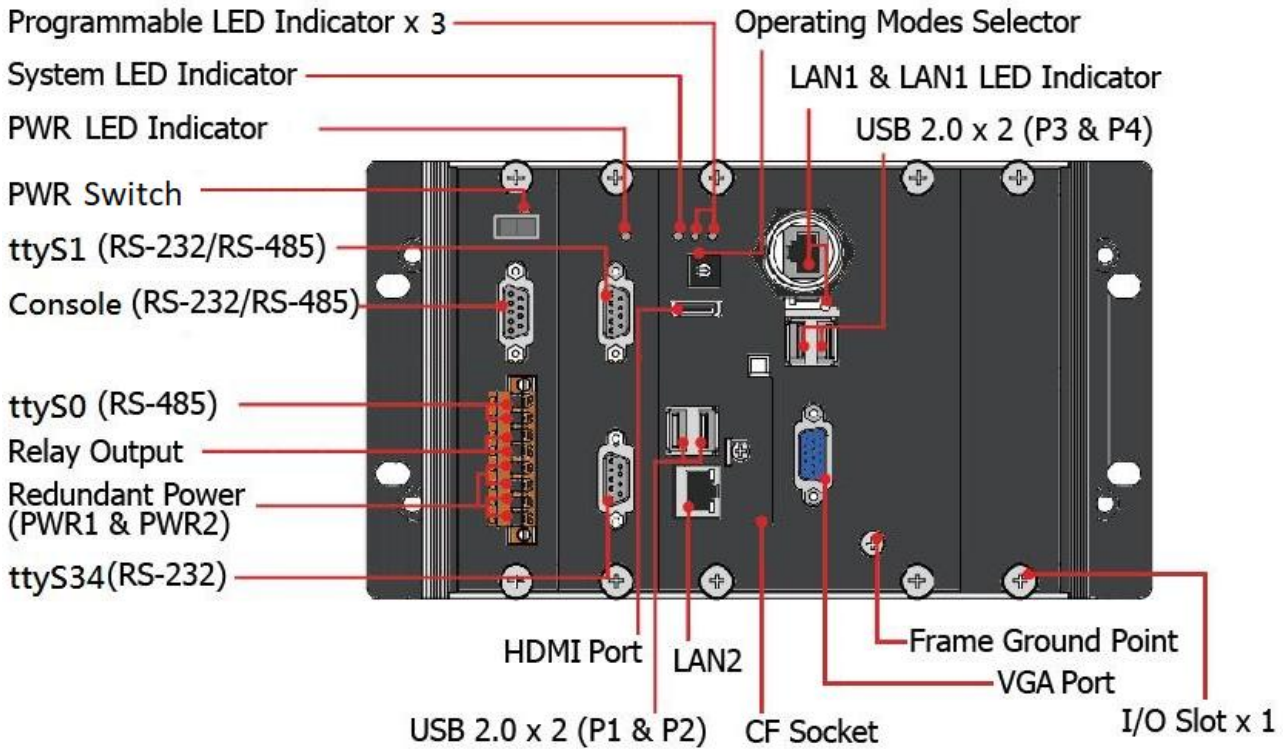
Parity: None, Even, Odd, Mark (Always 1), Space (Always 0)

Stop Bits: 1, 2

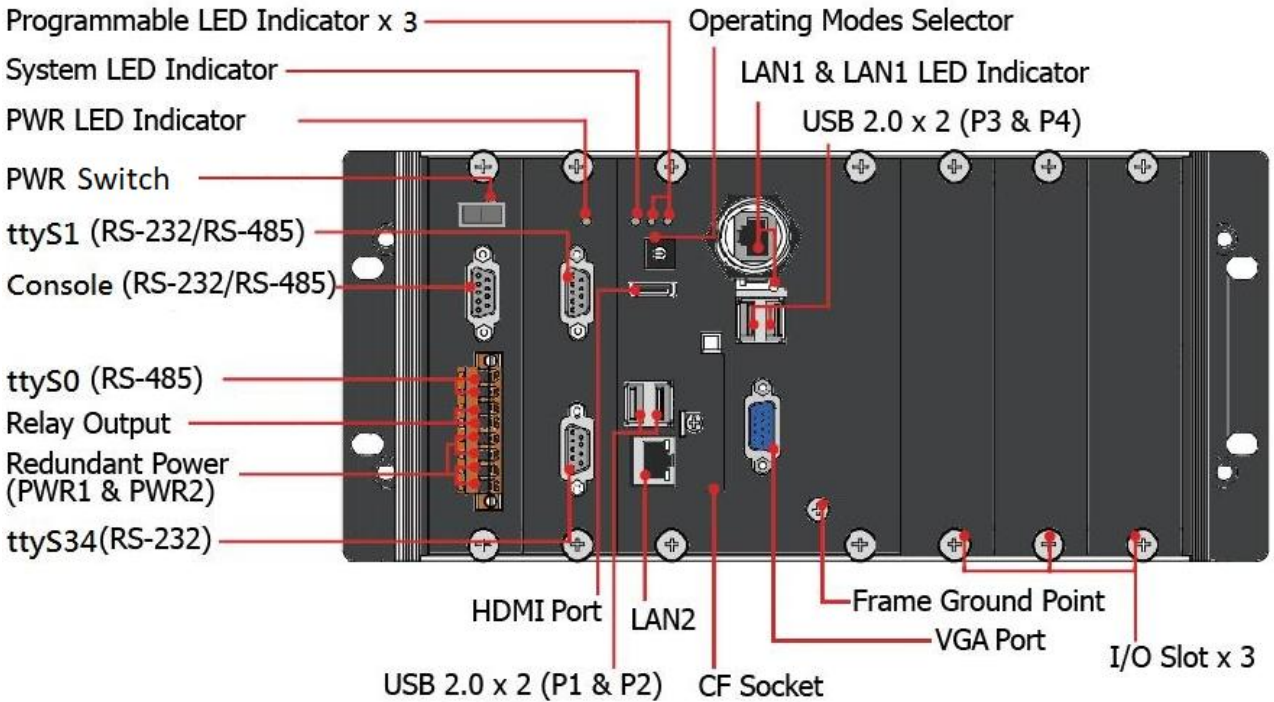
FIFO: 16 bytes

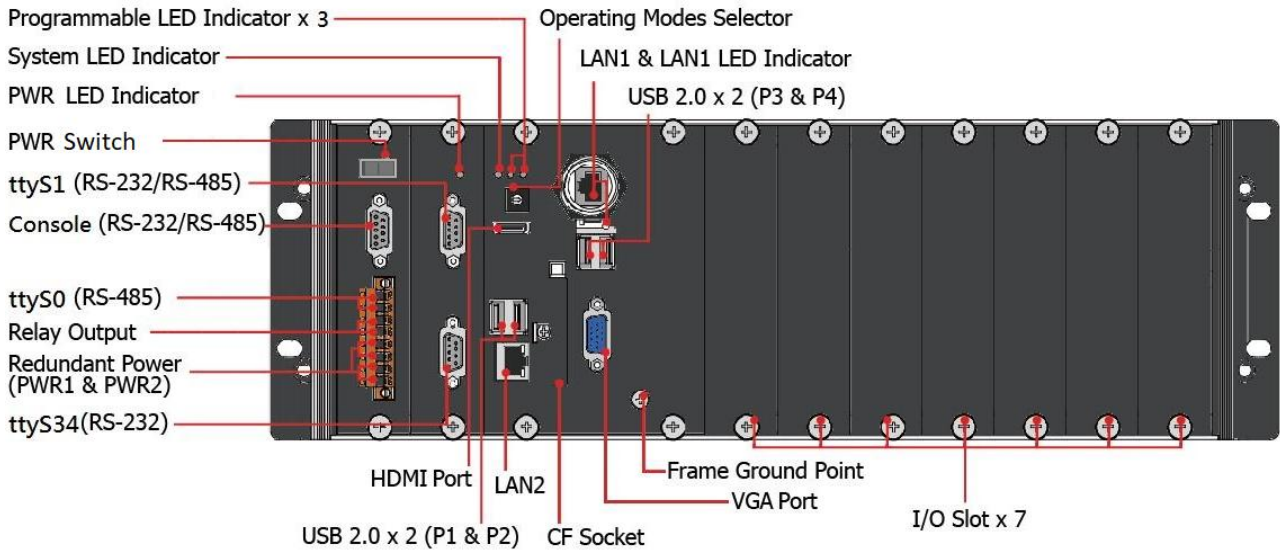


LX-9171/LX-9181



LX-9371/LX-9381





● **Console (RS-232/RS-485)**

The Console port is a 9-pins RS-232/RS-485 connector that can be configured as either RS-232 or RS-485, that only can select one at a time and its configuration depends on the pin connections as follows:

RS-232 (RXD, TXD and GND)

RS-485 (Data+ and Data-)

There is no software configuration or hardware jumper needed.

The details of the Console port specifications are shown to the side.

Note: 16C550 compatible

Port Type: Male

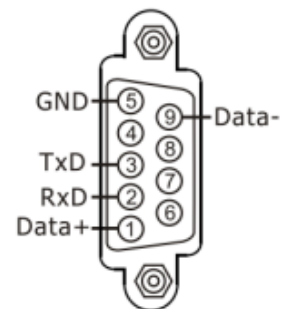
Baud Rate: 115200, 57600, 38400, 19200, 9600, 4800, 2400, 1200 bps

Data Bits: 5, 6, 7, 8

Parity: None, Even, Odd, Mark (Always 1), Space (Always 0)

Stop Bits: 1, 2

FIFO: 64 bytes



● **ttyS0 (2-wire RS-485)**

Note: 16C550 compatible

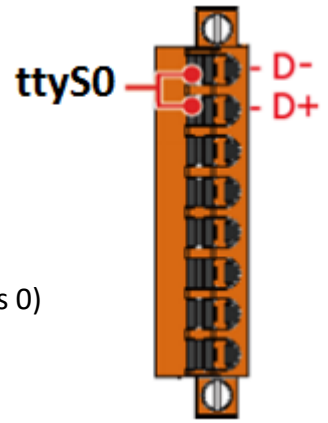
Port Type: Terminals

Baud Rate: 115200, 57600, 38400, 19200, 9600, 4800, 2400, 1200 bps

Data Bits: 5, 6, 7, 8 Parity: None, Even, Odd, Mark (Always 1), Space (Always 0)

Stop Bits: 1, 2

FIFO: 128 bytes



● **ttyS1 (RS-232/RS-485)**

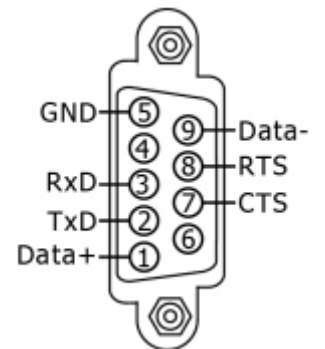
The ttyS1 port is a 9-pins RS-232/RS-485 connector that can be configured as either RS-232 or RS-485, that only can select one at a time and its configuration depends on the pin connections as follows:

RS-232 (RXD, TXD, RTS, CTS and GND)

RS-485 (Data+ and Data-)

There is no software configuration or hardware jumper needed.

The details of the ttyS1 port specifications are shown to the side.



Note: 16C550 compatible

Port Type: Male

Baud Rate: 115200, 57600, 38400, 19200, 9600, 4800, 2400, 1200 bps

Data Bits: 5, 6, 7, 8 Parity: None, Even, Odd, Mark (Always 1), Space (Always 0)

Stop Bits: 1, 2

FIFO: 128 bytes

● **ttyS34 (RS-232)**

The ttyS34 port is a 9-pins RS-232 connector. The details of the ttyS34 port specifications are shown to the side.

Note: 16C550 compatible

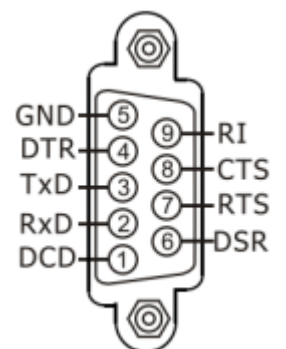
Port Type: Male

Baud Rate: 115200, 57600, 38400, 19200, 9600, 4800, 2400, 1200 bps

Data Bits: 5, 6, 7, 8 Parity: None, Even, Odd, Mark (Always 1), Space (Always 0)

Stop Bits: 1, 2

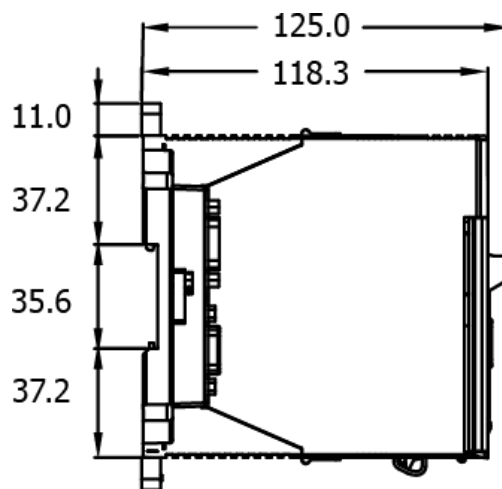
FIFO: 128 bytes



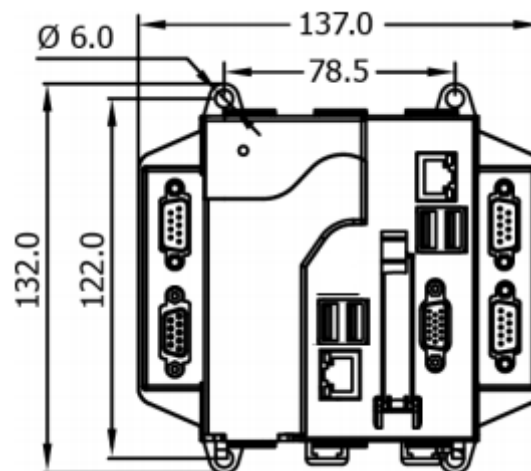
1.4. LX-8000 Series Dimensions

The diagrams below provide the dimensions of the LX-8000 to use in defining your enclosure specifications. Remember to leave room for potential expansion if you are using other components in your system.

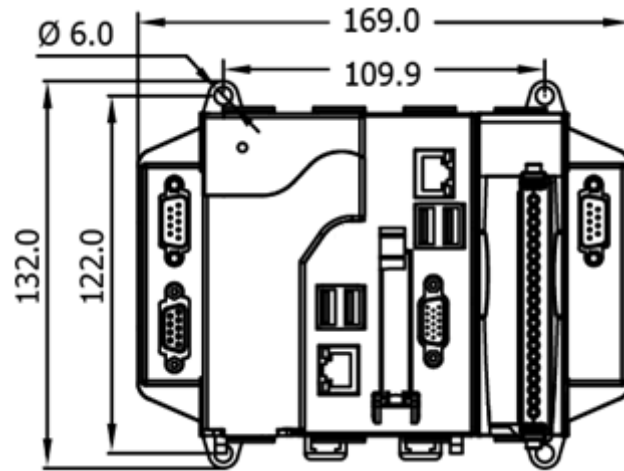
The height dimension is the same for all LX-8000. The width depending on your choose of I/O expansion slots. All dimensions are in millimeters.



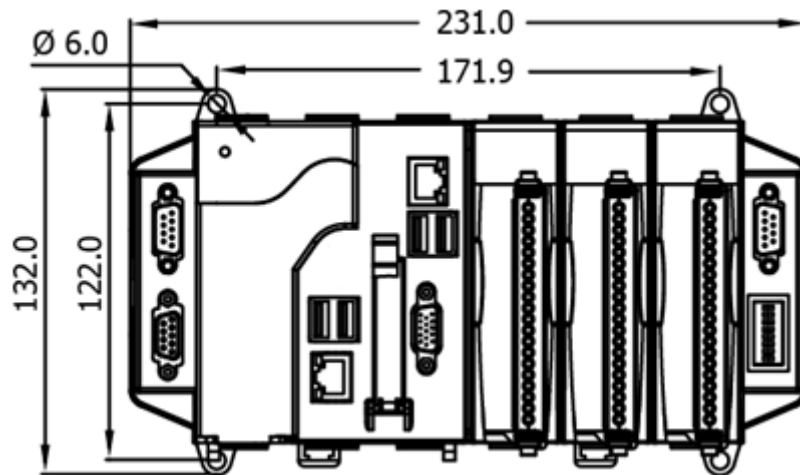
LX-8031



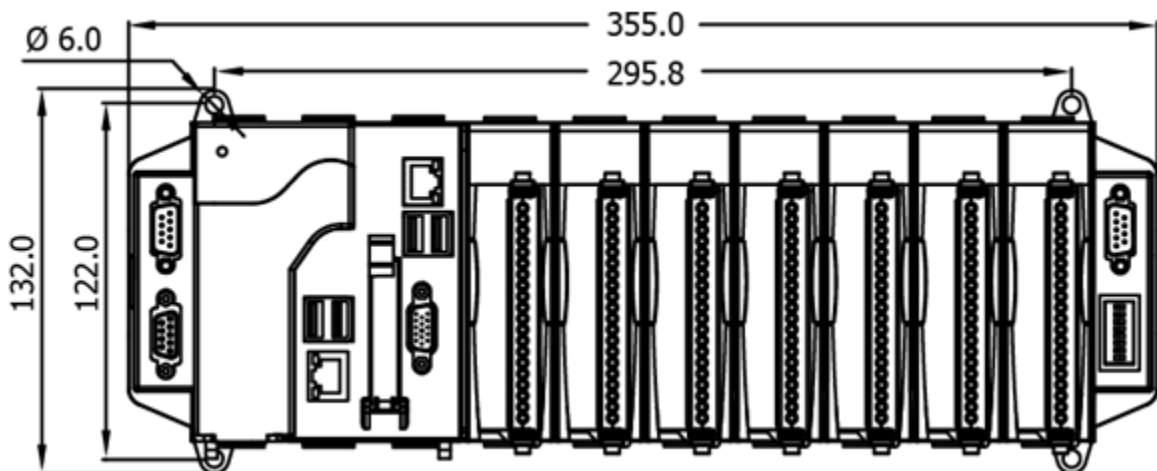
LX-8131



LX-8331



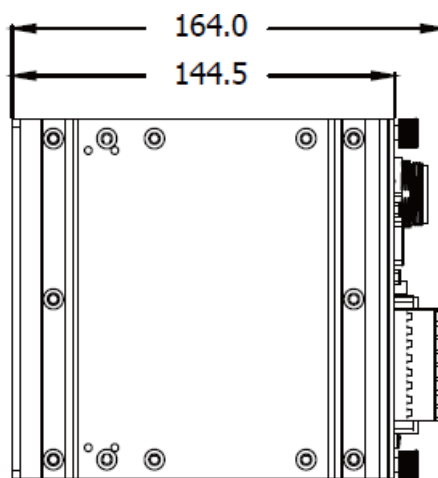
LX-8731



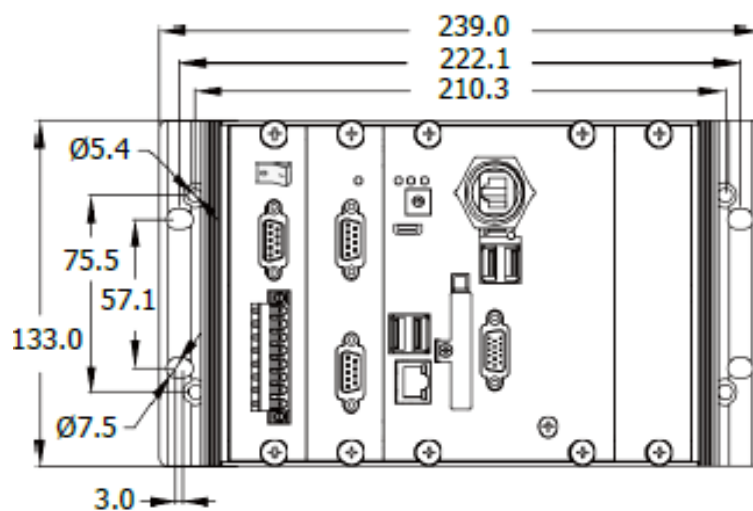
1.5. LX-9000 Series Dimensions

The diagrams below provide the dimensions of the LX-9000 to use in defining your enclosure specifications. Remember to leave room for potential expansion if you are using other components in your system.

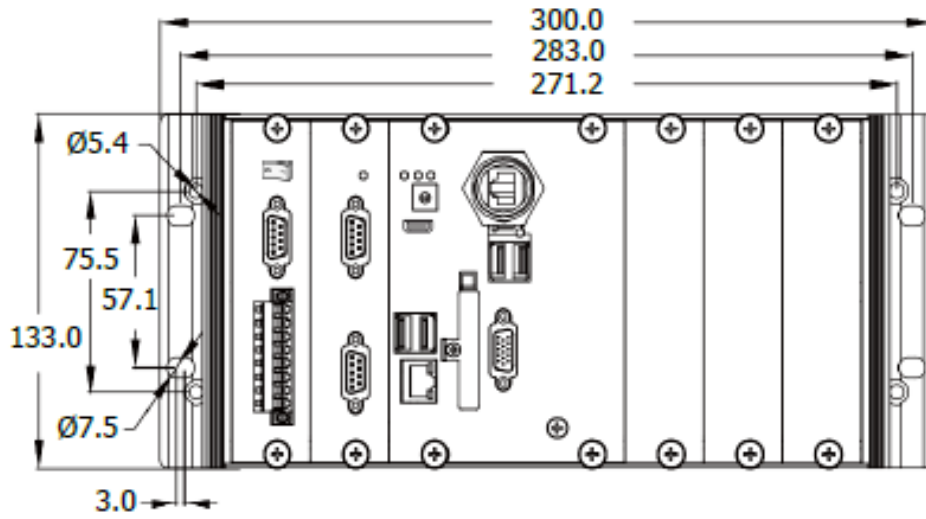
The height dimension is the same for all LX-9000. The width depending on your choose of I/O expansion slots. All dimensions are in millimeters.



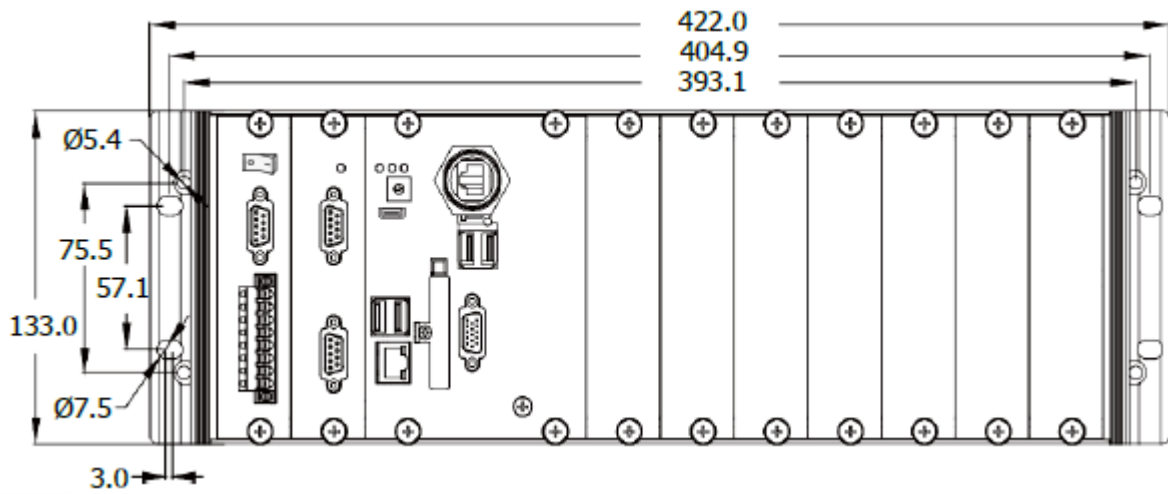
LX-9171/LX-9181



LX-9371/LX-9381



LX-9771/LX-9781



2. LX-8000/9000 Getting Started

This chapter provides a guided tour of the LX-8000/9000 installation and configuration that describes the steps needed to download, install, configure, and run the basic procedures for user working with the LX-8000/9000 for the first time.

Before starting any task, please check the package contents. If any of the following package contents are missing or damaged, contact your dealer, distributor.

■ LX-8x31 Series



LX-8x31



CF Card



**Screw Driver
(1C016) 2.4 mm**



**Quick Start
(This Document)**

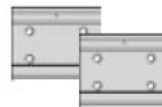
■ LX-9x71/LX-9x81 Series



LX-9000



CF Card



**44 mm DIN-Rail
Clip x 2**



**Quick Start
(This Document)**



**RJ-45
WaterProof Connector**



**Screw Driver
(1C016) 2.4 mm**



M3x6L Screw * 8

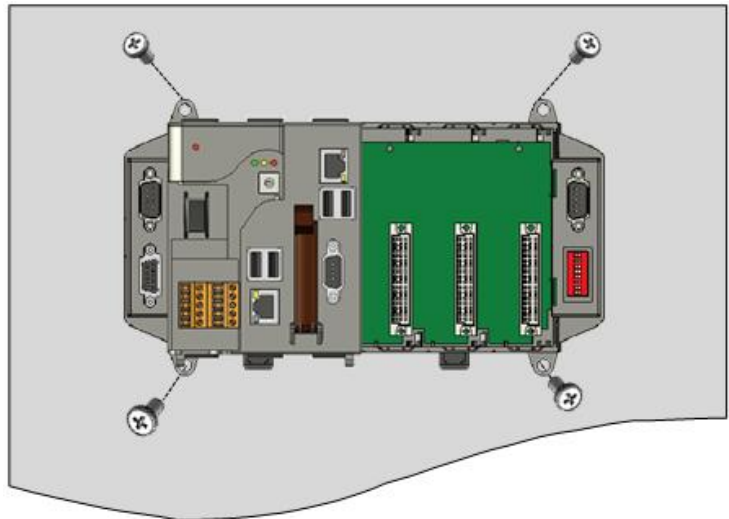
2.1. Mounting the LX-8000

The LX-8000 can be mounted either directly to a wall/panel, or onto a standard 35mm DIN rail.

Wall/Panel mounting

Step 1: Install the four mounting screws into the 4 keyhole mounting holes

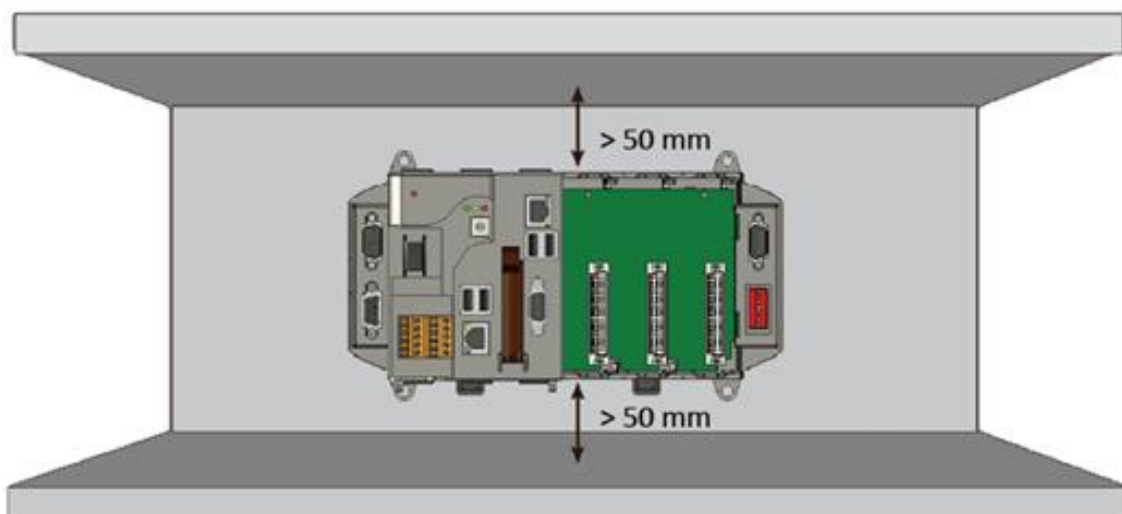
Step 2: Fasten the screws securely



Tips & Warnings



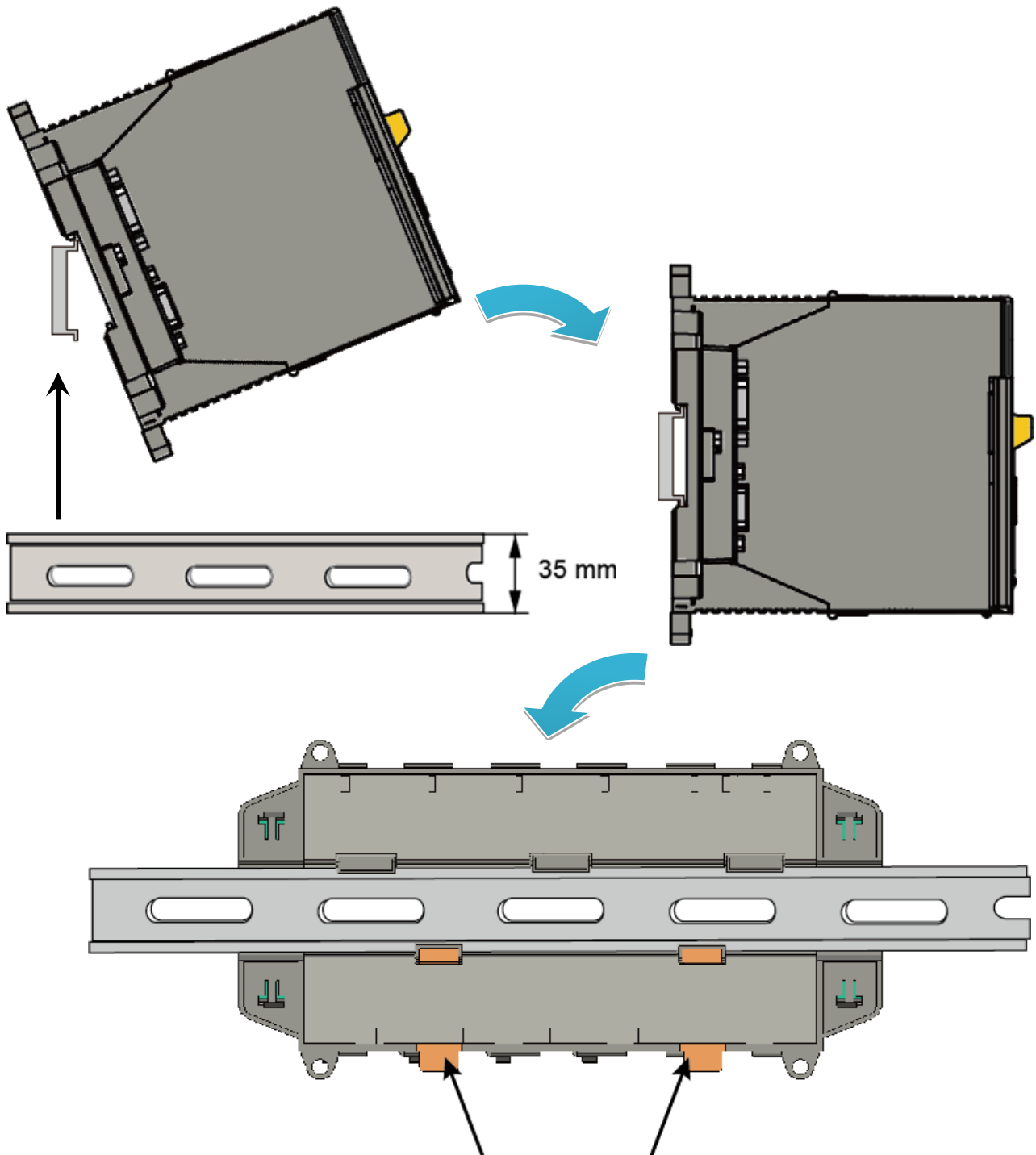
There must be a minimum clearance of 50mm between the LX-8000 and the top and bottom side of the enclosure panel.



DIN Rail mounting

Step 1: Hook upper tab over upper flange of DIN rail

Step 2: Tilt the module toward DIN rail until it snaps securely to DIN rail

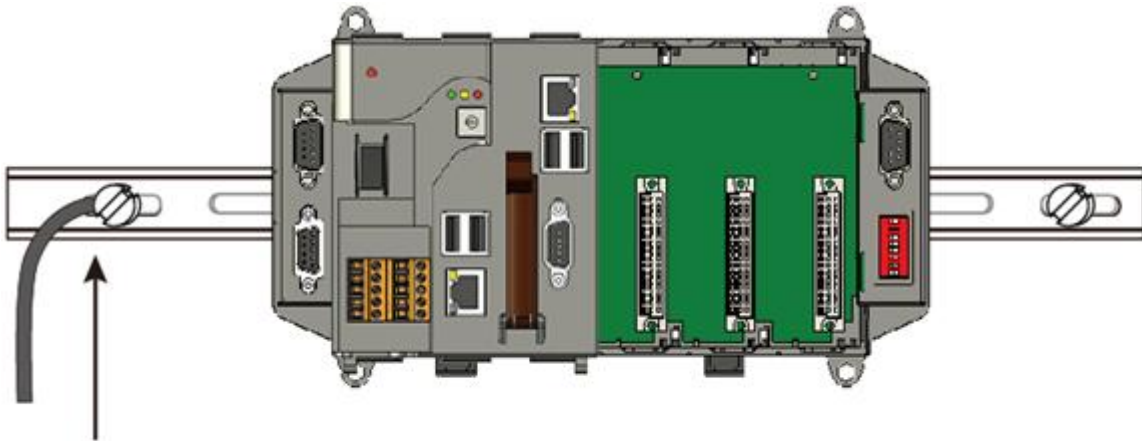


Gently push up retaining clips

Tips & Warnings



A good common ground reference (earth ground) is essential for proper operation of the LX-8000. One side of all control circuits, power circuits and the ground lead must be properly connected to earth ground by either installing a ground rod in close proximity to the enclosure or by connecting to the incoming power system ground. There must be a single-point ground (i.e. copper bus bar) for all devices in the enclosure that require an earth ground.



Connect the ground lead to the ground screw

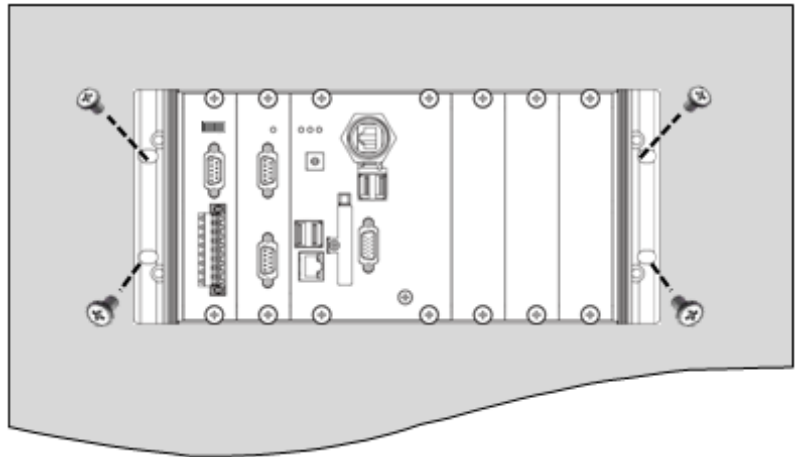
2.2. Mounting the LX-9000

The LX-9000 can be mounted either directly to a wall/panel, or onto a stainless 35mm DIN rail.

Wall/Panel mounting

Step 1: Install the four mounting screws into the 4 keyhole mounting holes

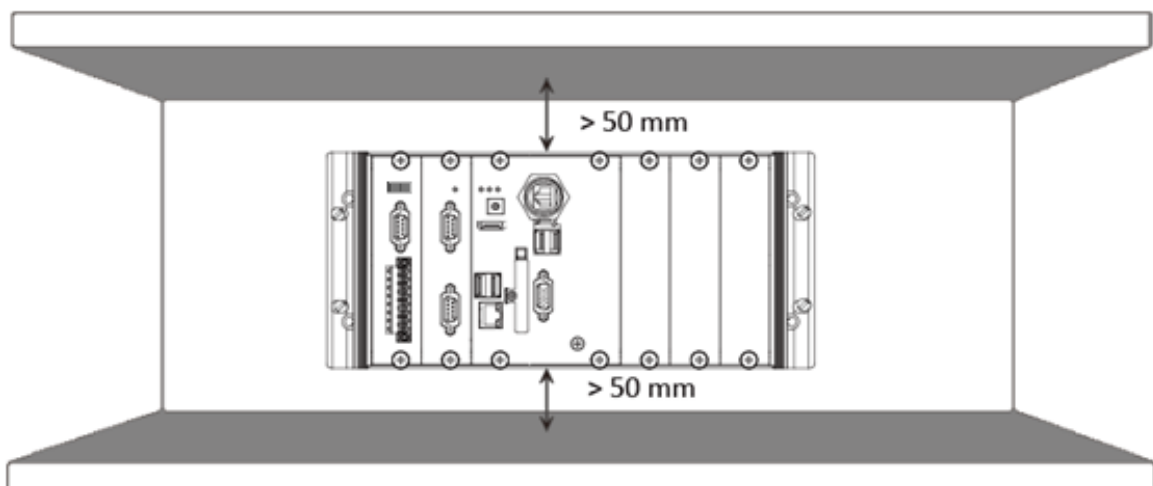
Step 2: Fasten the screws securely



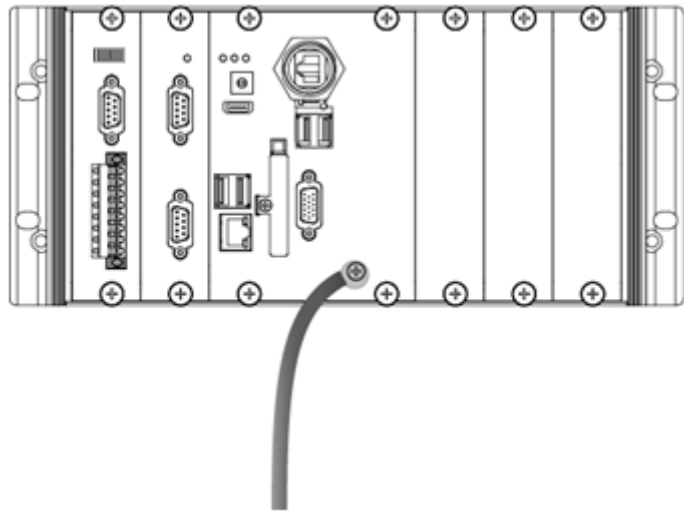
Tips & Warnings



There must be a minimum clearance of 50mm between the LX-9000 and the top and bottom side of the enclosure panel.



Step 3: Connect the ground lead to the frame ground point



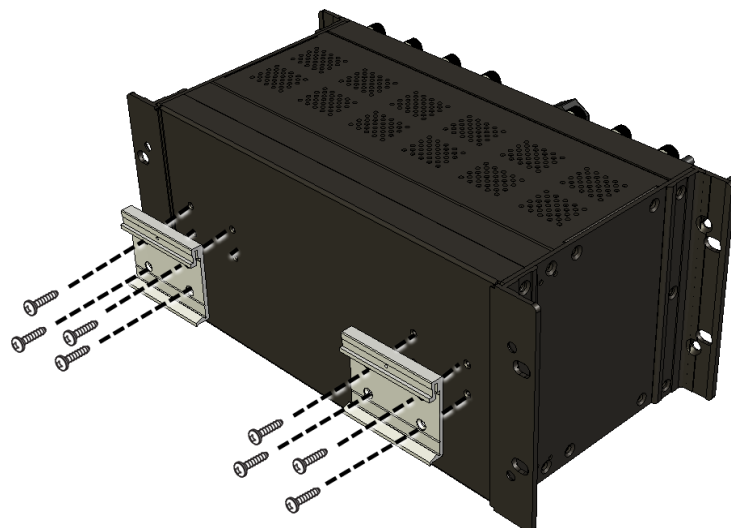
Tips & Warnings



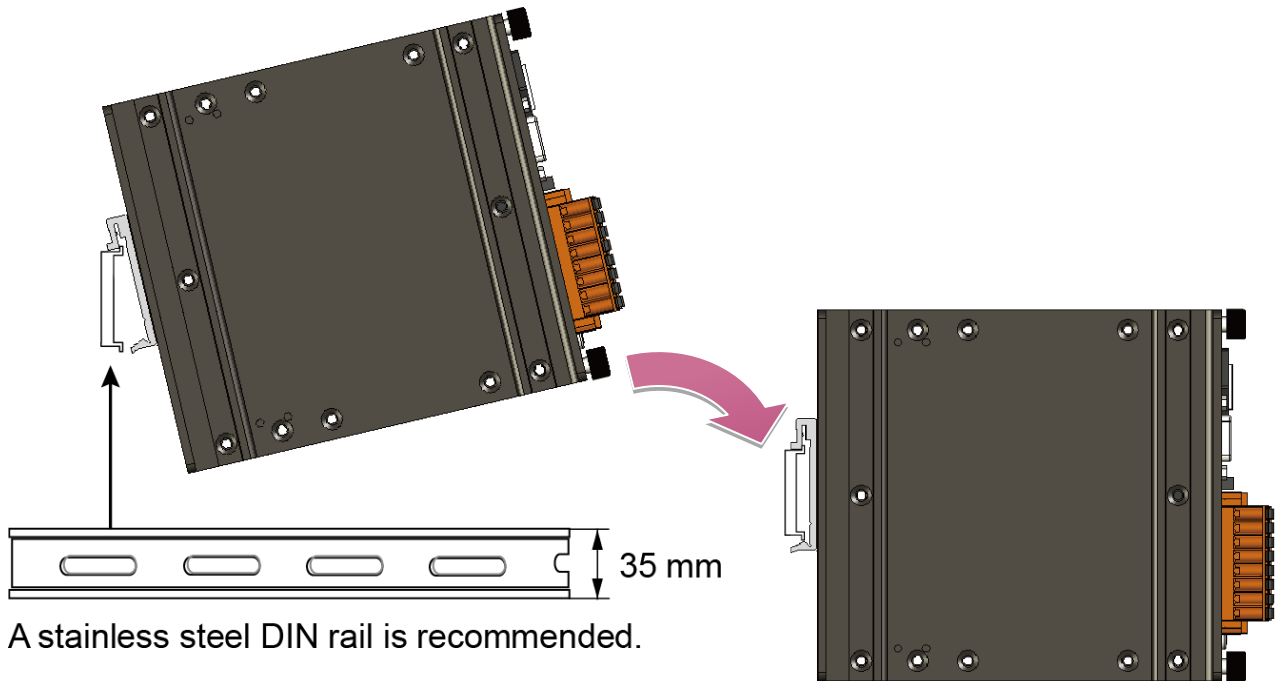
A good common ground reference (earth ground) is essential for proper operation of the LX-9000. One side of all control circuits, power circuits and the ground lead must be properly connected to earth ground by either installing a ground rod in close proximity to the enclosure or by connecting to the incoming power system ground. There must be a single-point ground (i.e. copper bus bar) for all devices in the enclosure that require an earth ground.

DIN Rail mounting

Step 1: Fasten the DIN rail clip to the LX-9000



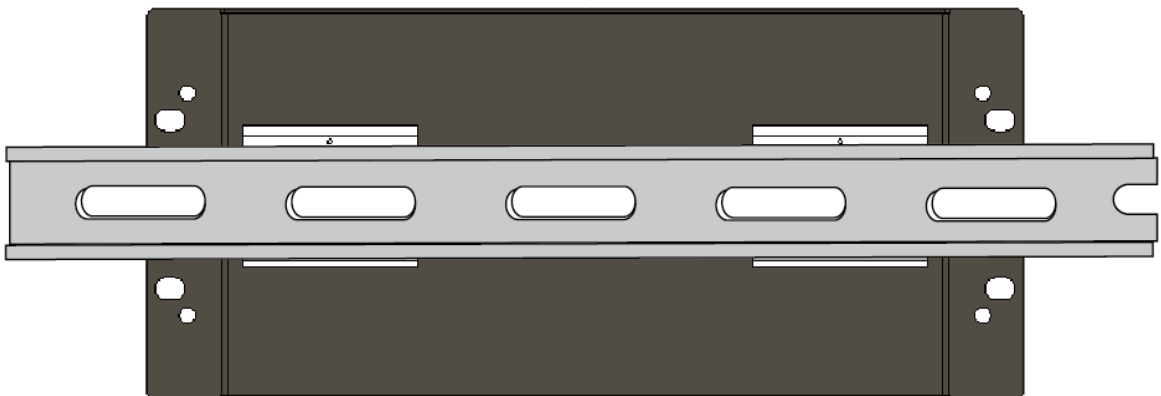
Step 2: Clip the device onto a stainless DIN rail



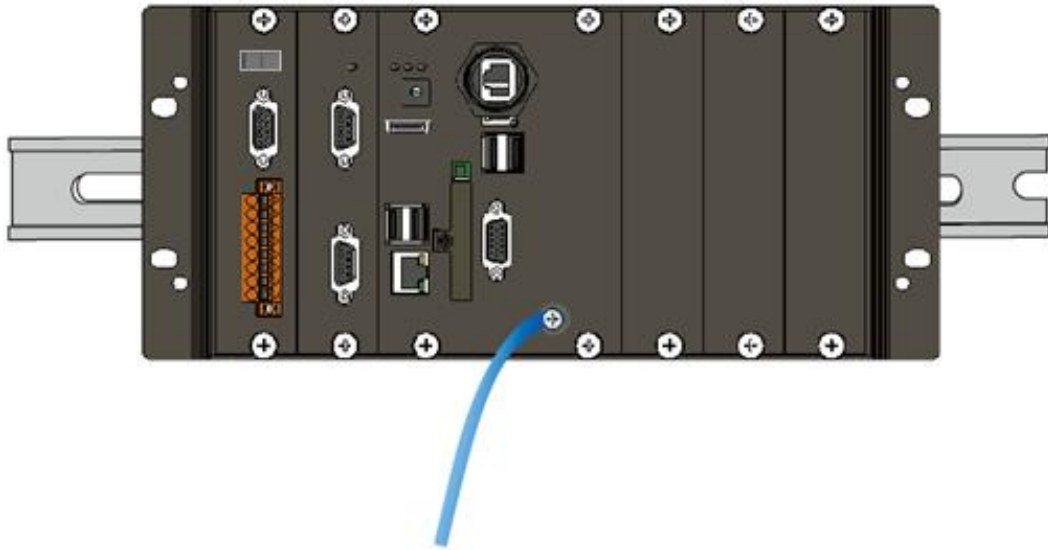
Tips & Warnings



For DIN rail mounting, it is strongly recommended that only a stainless steel DIN rail be used to support the weight of LX-9000 system, providing stability and preventing LX-9000 from leaning



Step 3: Connect the ground lead to the frame ground point



Tips & Warnings



A good common ground reference (earth ground) is essential for proper operation of the LX-9000. One side of all control circuits, power circuits and the ground lead must be properly connected to earth ground by either installing a ground rod in close proximity to the enclosure or by connecting to the incoming power system ground. There must be a single-point ground (i.e. copper bus bar) for all devices in the enclosure that require an earth ground.

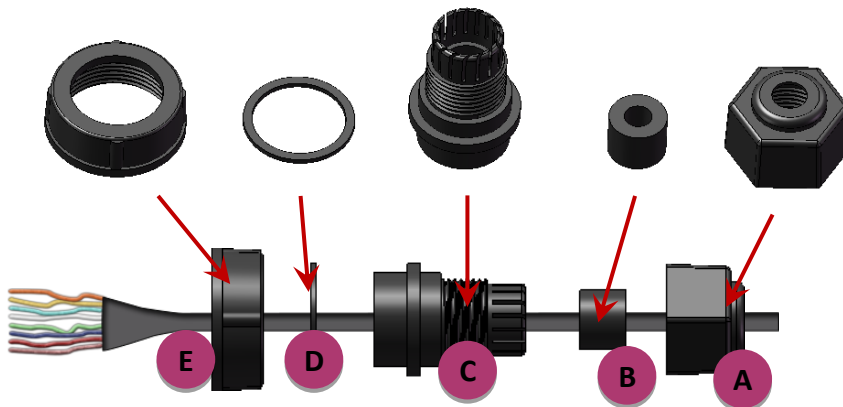
2.3. Installing the RJ-45 waterproof connector assembly

The LX-9000 series is equipped with an RJ-45 waterproof connector to withstand contaminant in dusty environment.

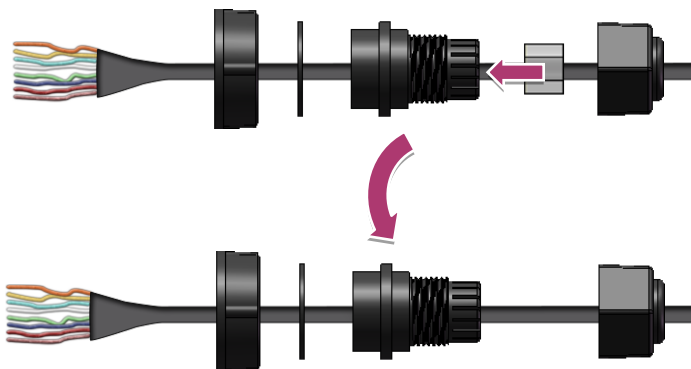
Step 1: Remove the RJ-45 connector from the RJ-45 cable



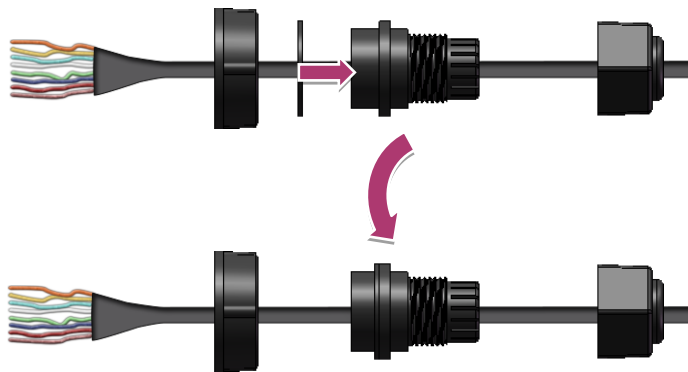
Step 2: Feed the end of the RJ-45 cable through the (A) sealing nut, (B) rubber sealing insert, (C) clamping ring, (D) panel gasket and (E) cable gland base



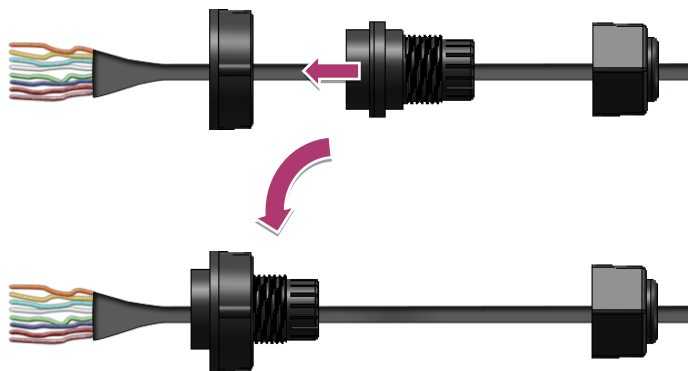
Step 3: Wrap the (C) clamping ring around the (B) rubber sealing insert



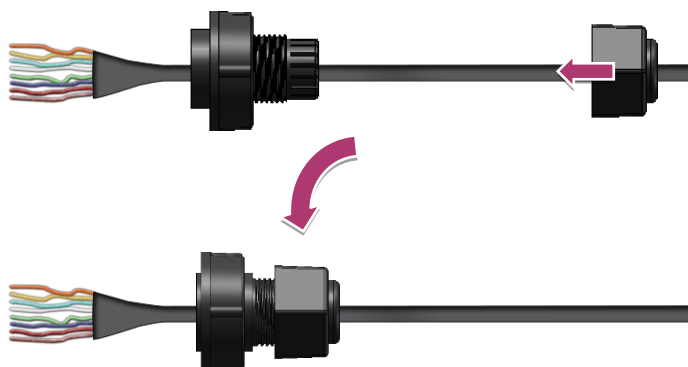
Step 4: Insert the (D) panel gasket into the (C) clamping ring



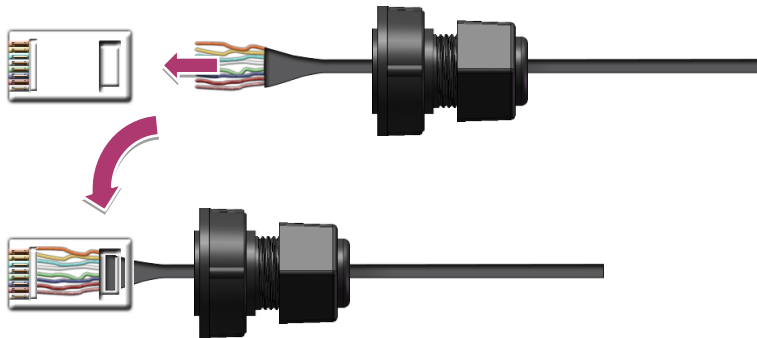
Step 5: Seat the (C) clamping ring and (D) panel gasket in the (E) cable gland base



Step 6: Push the (E) sealing nut forward and Hand-tighten it to seal the assembly



Step 7: Insert the RJ-45 cable into the RJ-45 connector



Step 8: Push the RJ-45 waterproof connector assembly forward



2.4. Deploying a Basic LX-8000/9000 System

The LX-8000/9000 provides a variety of communication interface to suit a range of application. Here is a simple application for using the LX-8000/9000.

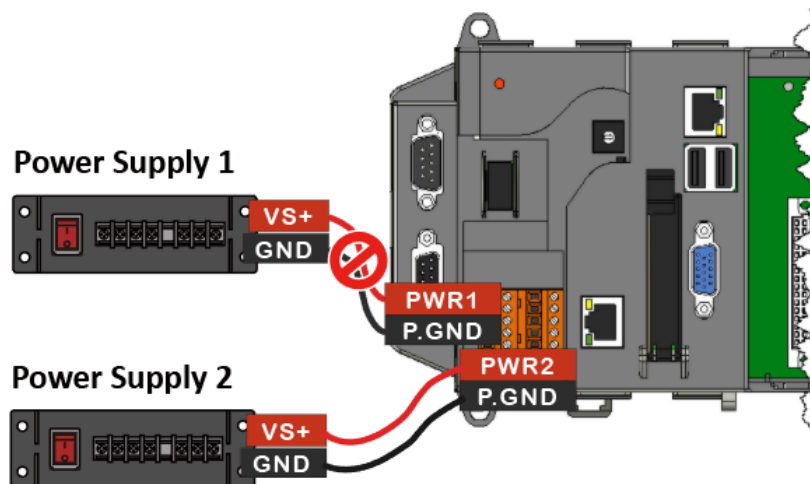
Step 1: Connect the positive terminal (+) of the power supply to the terminal PWR1/2 and the negative terminal (-) of the power supply to the P.GND

Tips & Warnings

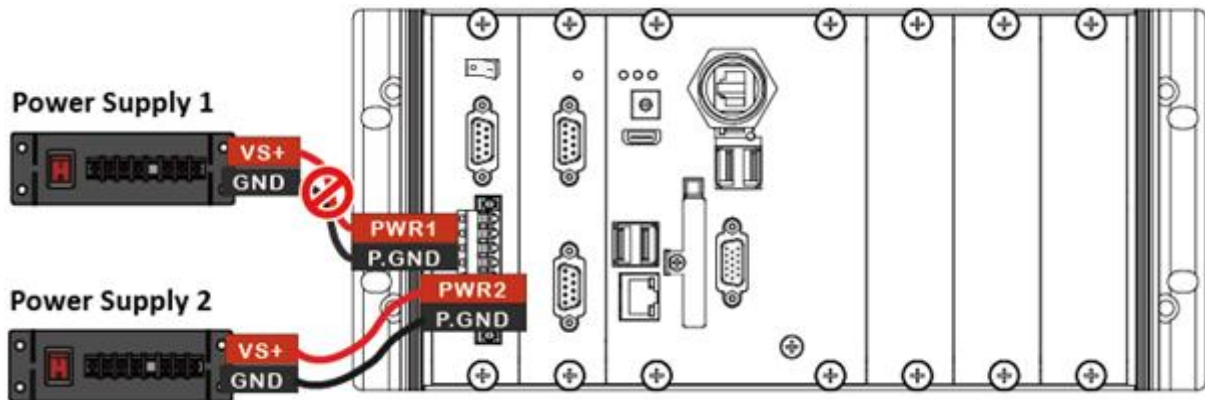


1. The input range of power supply is +10 to +30 V_{DC}.
2. The LX-8000/9000 have two power inputs that can be connected simultaneously to the two independent power sources. If one power source fails, the other source takes over automatically. Redundant power input help assure non-stop operation of the LX-8000/9000.

■ LX-8000



■ LX-9000

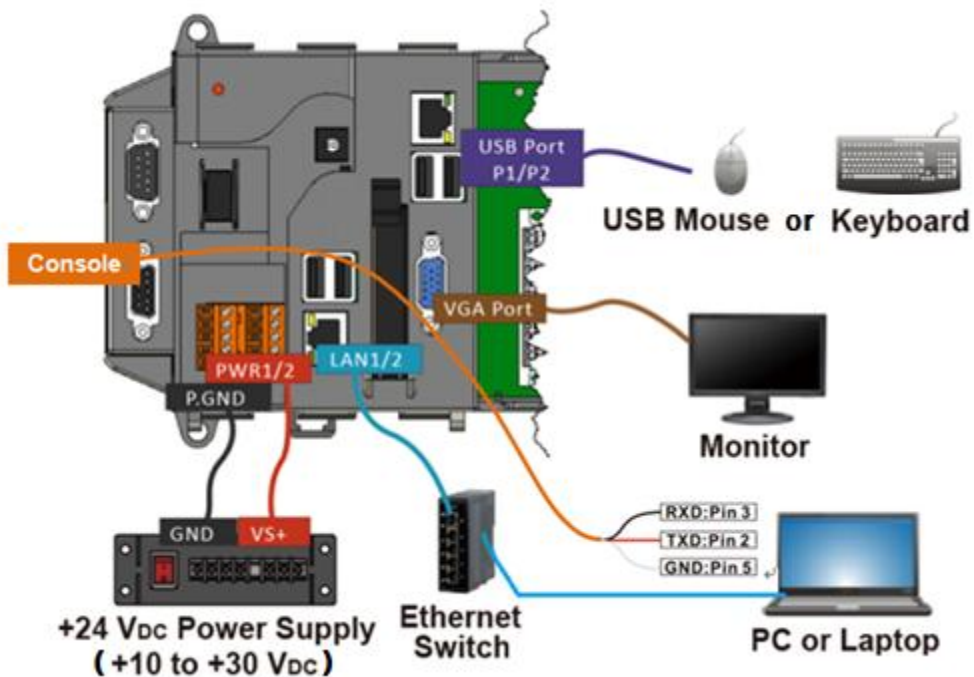


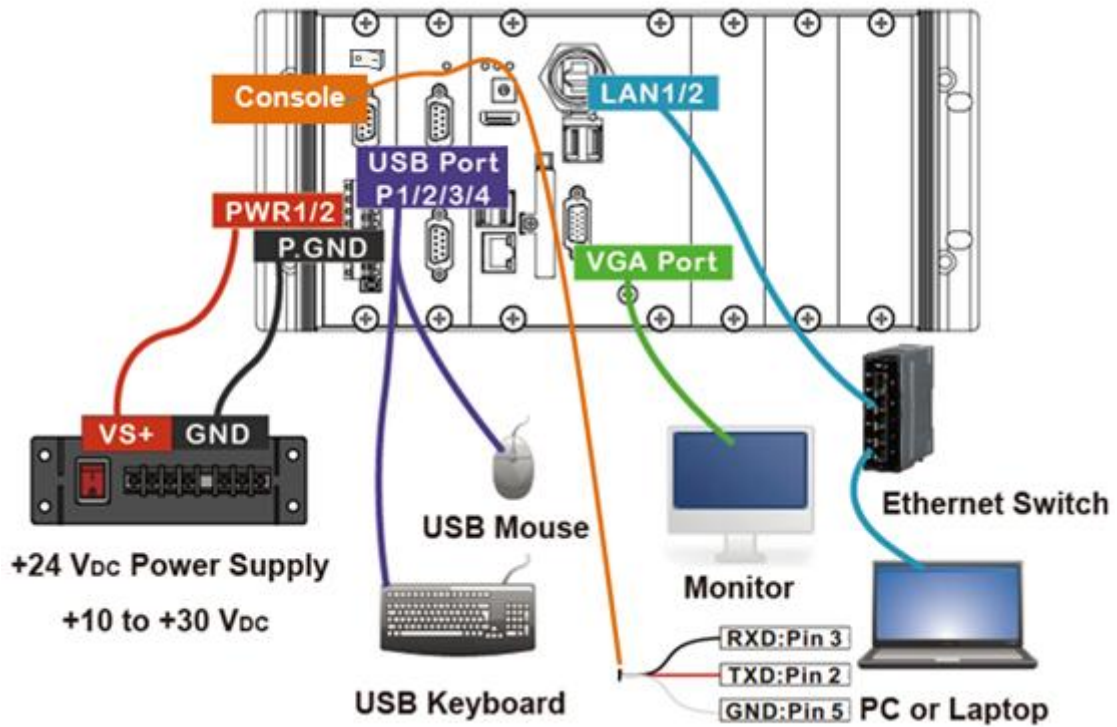
Step 2: Connect the USB mouse or the USB keyboard to the USB port

Step 3: Connect the monitor to the VGA port

Step 4: Connect to PC or the laptop to the LAN port via an Ethernet switch

■ LX-8000





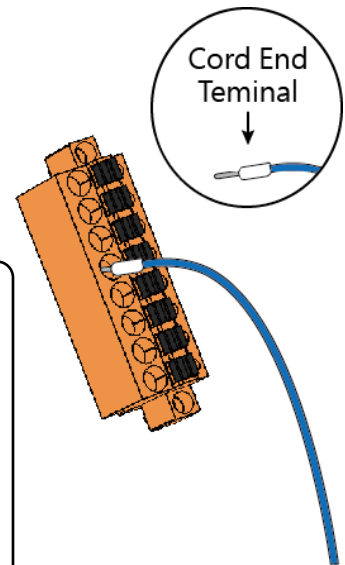
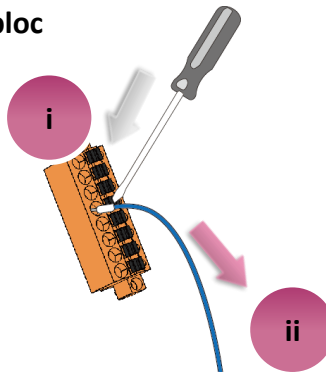
Tips & Warnings



The metal part of the cord end terminal on the wire can be direct wired to the terminal.

Remove the wiring from the terminal bloc

- i. Use the screwdriver to push the black clip in
- ii. Remove the wiring

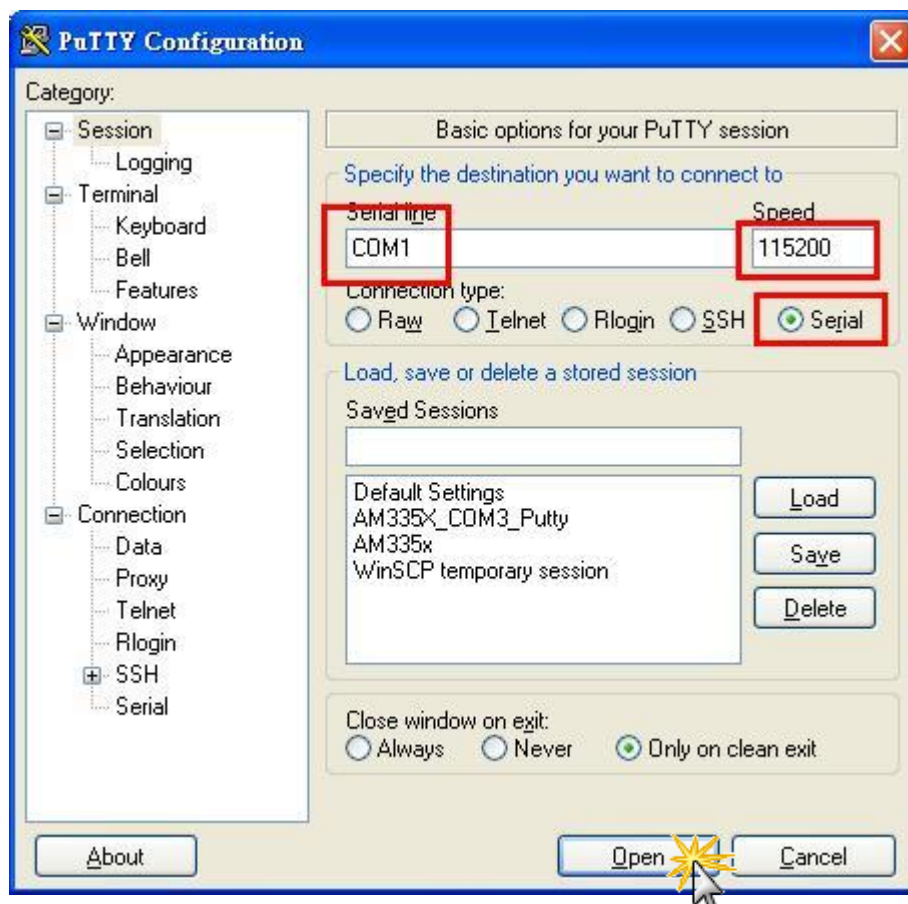


2.5. Console Port Connection

The LX-8000/9000 support remote connection from the “Console” port without internet. The user can follow below steps to connect to the LX-8000/9000.

Step 1: User can choose the software (Putty or others) through the “Console” to connect the LX-8000/9000.

Step 2: If user chose the “Console”, user can set the baud rate “115200” to connect the device.



Step 3: After user connect to the LX-8000/9000 from the “Console” port, user can input default ID “root” and password “icpdas” to login.

2.6. LAN1/LAN2 Network Configuration

If user login LX-8000/9000 with Console port successful. User can use “ifconfig” command to get the IP address of LAN1/LAN2.

2.6.1. Set Static IP

The LAN 1/2 of factory setting use DHCP. If user wants to set the static IP address, user can refer to below steps:

Step 1: Using the linux command “vi” to modify the file “/etc/network/interfaces”.

Step2: Using the ‘#’ to mark the default configuration.

Step3: Set static IP by your own environment.

```
auto lo
iface lo inet loopback

#auto eth0 eth1
#auto eth0
#iface eth0 inet dhcp
#iface eth1 inet dhcp

#static ip sample
auto eth0
iface eth0 inet static
address 10.1.0.89
netmask 255.255.0.0
dns-nameservers 10.0.0.3          #DNS server

auto eth1
iface eth1 inet static
address 10.1.0.90
netmask 255.255.0.0
dns-nameservers 10.0.0.9          #DNS server

gateway 10.1.0.254                #gateway
```

Using “#” to mark the eth0/eth1’s factory setting DHCP

Refer the example to set your static IP

Step4: After user save the file and use “reboot” command to reset device, user can use the new network configuration on LX-8000/9000.

2.7. LAN1/LAN2 Network Connection

If user login LX-8000/9000 with Console port successful.

The user can use “ifconfig” command to get the IP address of LAN1/LAN2 and connect the LX-8000/9000 with the SSH client software (Putty or others).

Step 1: Using “ifconfig” to check the IP address of LAN1/2.

```
root@icpdas:~# ifconfig
eth0      Link encap:Ethernet  HWaddr 00:0d:e0:6e:08:16
          inet addr:10.1.0.75  Bcast:10.1.255.255  Mask:255.255.0.0
          inet6 addr: fe80::20d:e0ff:fe6e:816/64 Scope:Link
          UP BROADCAST RUNNING MULTICAST  MTU:1500  Metric:1
          RX packets:593929 errors:0 dropped:0 overruns:0 frame:0
          TX packets:8928 errors:0 dropped:0 overruns:0 carrier:0
          collisions:0 txqueuelen:1000
          RX bytes:39831066 (39.8 MB)  TX bytes:5713563 (5.7 MB)
          Interrupt:17 Memory:febe0000-fec00000

eth1      Link encap:Ethernet  HWaddr 00:0d:e0:b0:97:0b
          inet addr:10.1.0.62  Bcast:10.1.255.255  Mask:255.255.0.0
          inet6 addr: fe80::20d:e0ff:feb0:970b/64 Scope:Link
          UP BROADCAST RUNNING MULTICAST  MTU:1500  Metric:1
          RX packets:587861 errors:0 dropped:1 overruns:0 frame:0
          TX packets:36 errors:0 dropped:0 overruns:0 carrier:0
          collisions:0 txqueuelen:1000
          RX bytes:28616065 (28.6 MB)  TX bytes:7795 (7.7 KB)
```

If User used bridge interface with RSTP, Using “ifconfig” to check IP address of br0

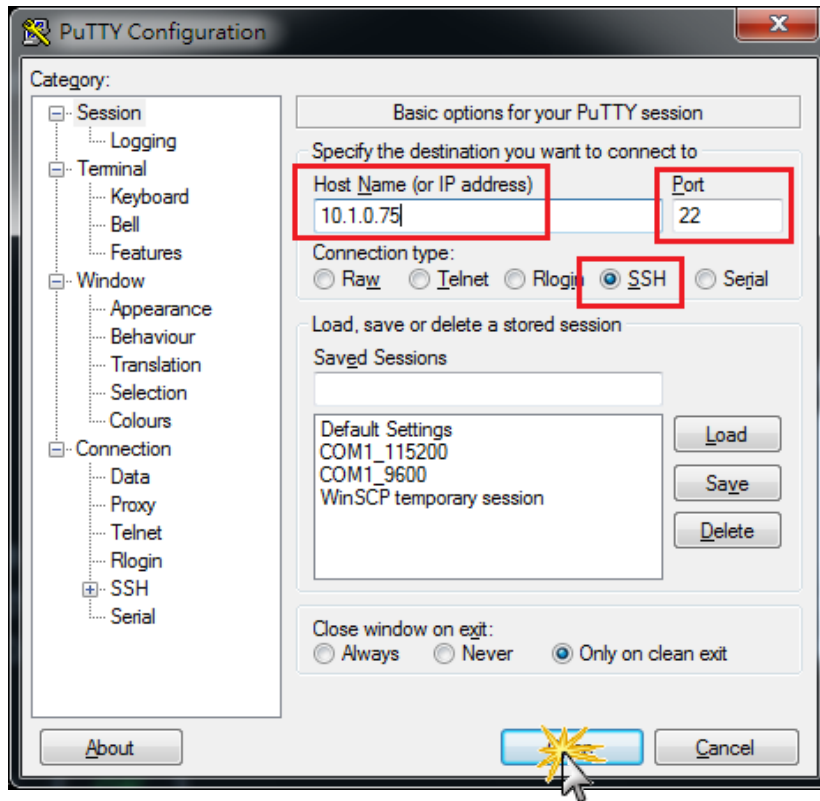
```
root@icpdas:~# ifconfig
br0       Link encap:Ethernet  HWaddr 00:0d:e0:6e:08:16
          inet addr:10.1.0.83  Bcast:10.1.255.255  Mask:255.255.0.0
          inet6 addr: fe80::20d:e0ff:fe6e:816/64 Scope:Link
          UP BROADCAST RUNNING MULTICAST  MTU:1500  Metric:1
          RX packets:3792 errors:0 dropped:0 overruns:0 frame:0
          TX packets:423 errors:0 dropped:0 overruns:0 carrier:0
          collisions:0 txqueuelen:0
          RX bytes:446871 (446.8 KB)  TX bytes:57700 (57.7 KB)

eth0      Link encap:Ethernet  HWaddr 00:0d:e0:6e:08:16
          UP BROADCAST RUNNING MULTICAST  MTU:1500  Metric:1
          RX packets:5504 errors:0 dropped:4 overruns:0 frame:0
          TX packets:407 errors:0 dropped:0 overruns:0 carrier:0
          collisions:0 txqueuelen:1000
          RX bytes:1101039 (1.1 MB)  TX bytes:58942 (58.9 KB)
          Interrupt:17 Memory:febe0000-fec00000

eth1      Link encap:Ethernet  HWaddr 00:0e:c6:81:78:01
          UP BROADCAST RUNNING MULTICAST  MTU:1500  Metric:1
          RX packets:5170 errors:0 dropped:4 overruns:0 frame:0
          TX packets:2 errors:0 dropped:0 overruns:0 carrier:0
          collisions:0 txqueuelen:1000
          RX bytes:940914 (940.9 KB)  TX bytes:254 (254.0 B)

lo        Link encap:Local Loopback
          inet addr:127.0.0.1  Mask:255.0.0.0
          inet6 addr: ::1/128 Scope:Host
          UP LOOPBACK RUNNING  MTU:16436  Metric:1
          RX packets:320 errors:0 dropped:0 overruns:0 frame:0
          TX packets:320 errors:0 dropped:0 overruns:0 carrier:0
          collisions:0 txqueuelen:0
          RX bytes:25472 (25.4 KB)  TX bytes:25472 (25.4 KB)
```

Step 2: User can use SSH client software (Putty or others) to connect the LX-8000/9000.



2.8. Inserting the I/O Modules

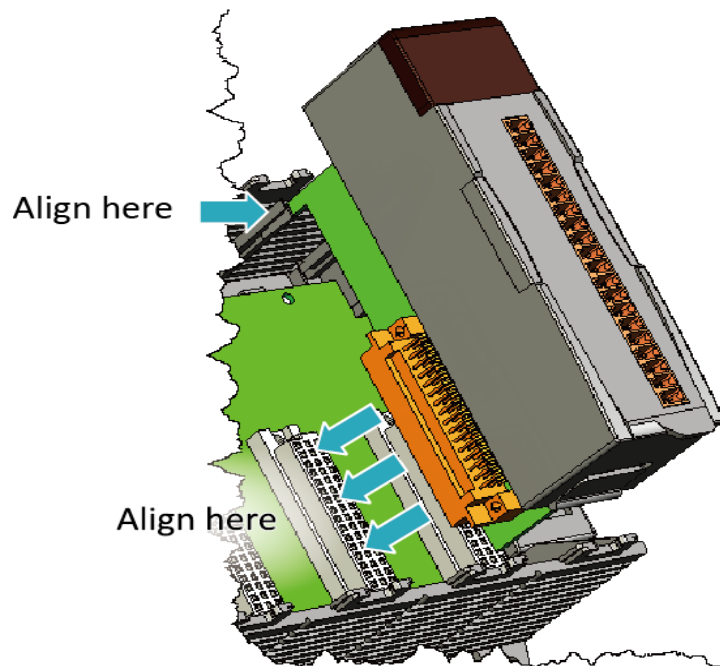
LX-9000 has 1/3/7 I/O expansion slots to support I-9K and I-97K series I/O modules. LX-8000 also has 1/3/7 I/O expansion slots to support I-8K and I-87K series I/O modules.

Before choosing the right I/O modules, you first need to know the I/O expansion capacities in order to choose the best expansion module for achieving maximal efficiency. For more information about the I/O expansion modules that are compatible with the LX-8000/9000, please refer to:

http://www.icpdas.com/products/PAC/winpac/io_support_list.htm

■ LX-8000 Series

Step 1: Align circuit card with slot and press firmly to seat module into connector

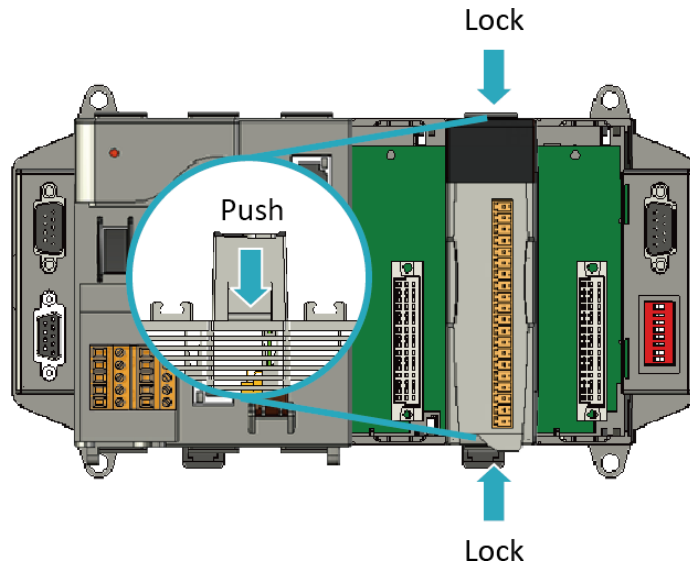


Tips & Warnings



It is recommended that the power to the LX-8000 is switched off when wiring the I/O module which are plugging in the LX-8000 slots.

Step 2: Pull top and bottom locking tabs toward module face. Click indicates lock is engaged

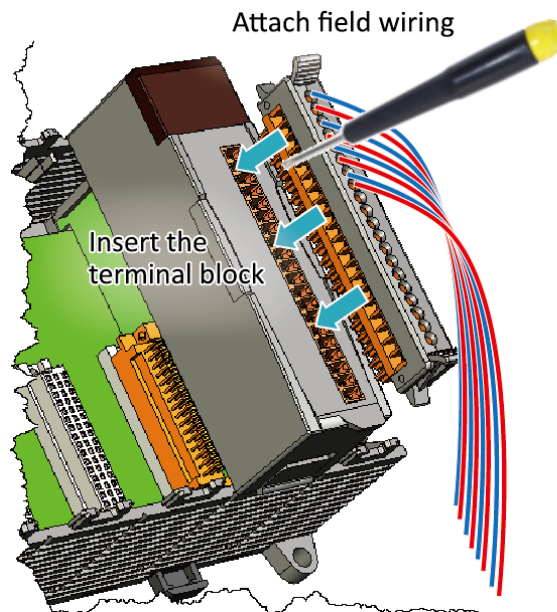


Step 3: Attach field wiring using the terminal block, and then insert the terminal block

All I/O Web Page include the I/O module specifications, pin assignments and wiring connections.

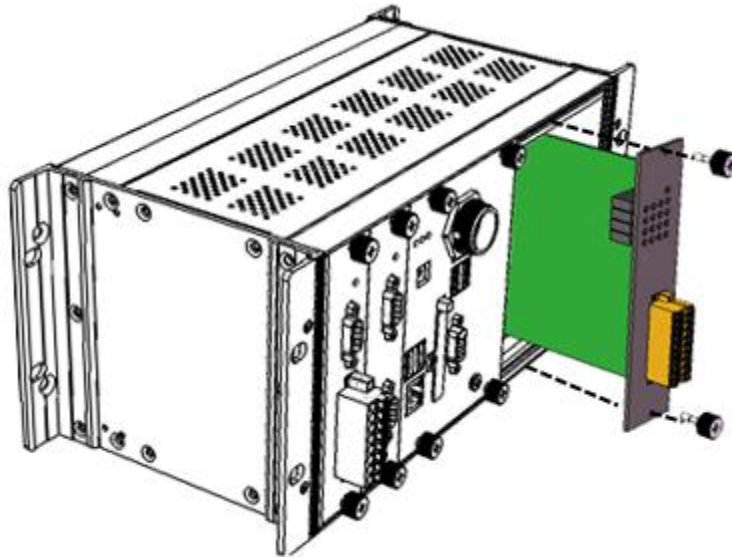
For example, Pin Assignments and Wiring connections for the I-87054W module are as follows:

http://www.icpdas.com/root/product/solutions/remote_io/rs-485/i-8k_i-87k/i-87054w.html



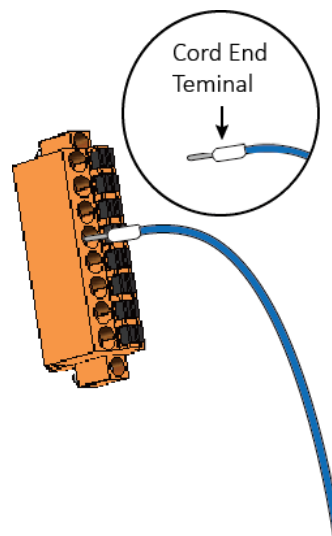
■ LX-9000 Series

Step 1: Insert the I/O module

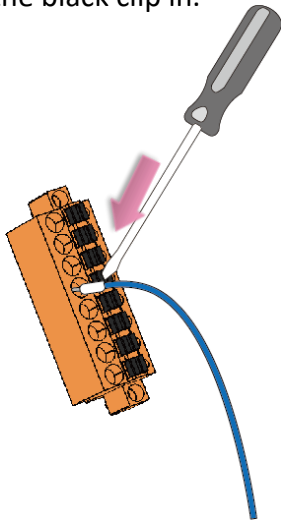


Step 2: Wiring connection

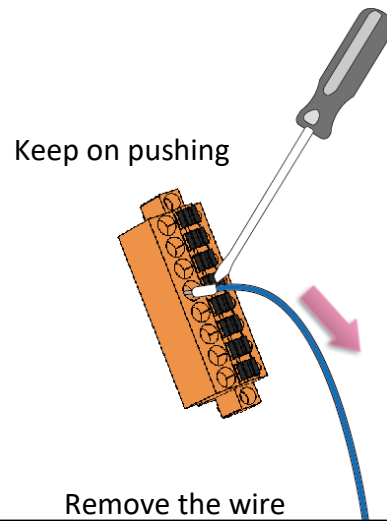
The metal part of the cord end terminal on the wire can be direct wired to the terminal of LX-9000.



1. Use screwdriver to push the black clip in.



2. Remove the wiring from the terminal block



Tips & Warnings



If you do not expand the I/O module full, please keep the top case of the unused slot to protect the backplane from dirt, dust and damage from foreign objects.

2.9. Change password at first login

LX-8000 has two account “root” & “icpdas”, user need change password when first login in. Both flash and CF card need to do the same operation.

In LX-8000 LinPAC, you can use button “F10” to select CF Card boot device when you power on

```
root@icpdas: ~  
Using username "root".  
root@192.168.2.231's password:  
You are required to change your password immediately (root enforced)  
Welcome to Ubuntu 12.04.4 LTS (GNU/Linux 3.2.84-rt122-RT i686) LX-8131  
  
* Documentation: https://help.ubuntu.com/  
Last login: Wed Mar 31 16:02:16 2021 from 192.168.2.195  
Changing password for root.  
(current) UNIX password: original password (icpdas)  
Enter new UNIX password: new password  
Retype new UNIX password: new password check  
root@icpdas:~#
```

2.10. Recovering factory OS from CF Card to Flash

If user wants to recover factory OS for LX-8000/9000, please using below steps to recover flash's Linux OS:

In LX-8000 LinPAC, you can use button "F10" to select CF Card boot device when you power on

Step 1: Boot up LX-8000/9000 with CF card OS. Please refer to below command to check the recovery directory in "/root" directory

■ LX-8x31

```
root@icpdas:/root# ls
Desktop OS-install
root@icpdas:/root#
```

■ LX-9x71/9x81

```
root@icpdas:~# ls
Desktop OS-install_9x7x_9x8x
root@icpdas:~#
```


Step 2: Executing the command “setup-control.sh” and choose option ‘1’ to recover the factory Linux OS to flash disk in LX-8000/9000.

■ LX-8x31

```
root@icpdas:~# setup-control.sh
Rescue OS version: 1.4.2
1.Recover to FLASH. (/dev/sdb)
2.Recover to CF card. (/dev/sda)
3.Recover to FLASH and CF card
1
Recover to FLASH
Fdisk /dev/sdb [ OK ]
Format /dev/sdb1 [ OK ]
Install root file system to /dev/sdb1 [ OK ]
Change root to /dev/sdb
Set LAN2 MAC use MRAM.
update-initramfs /dev/sdb [ OK ]
Setup Boot loader /dev/sdb [ OK ]
Modify /dev/sdb fstab [ OK ]
root@icpdas:~# reboot
```

■ LX-9x71/9x81

```
root@icpdas:~# setup-control.sh
1.Recover to FLASH (default /dev/sda1)
2.Recover to CF card (default /dev/sdc1)
3.Recover to FLASH and CF card
1
Recover to FLASH
Fdisk /dev/sda [ OK ]
Format /dev/sda1 [ OK ]
Install root file system to /dev/sda1 [ OK ]
Change root to /dev/sda1
update-initramfs /dev/sda [ OK ]
Setup Boot loader /dev/sda [ OK ]
Modify /dev/sda fstab [ OK ]
```

2.11. Update CF card recover file version

User can follow below steps to update recover file to recent version.

In LX-8000 LinPAC, you can use button “F10” to select CF Card boot device when you power on

■ LX-8x31

1. Boot up with CF card and download recover file by below link.

<https://www.icpdas.com/en/download/show.php?num=989&model=LX-8031>

Please download “LX-8000 OS image” option.

2. Delete old recover file (data folder “OS-install”) and unzip downloaded file.

```
root@icpdas:/root# ls
Desktop OS-install
root@icpdas:/root#
```

3. Executing the command “setup-control.sh” and choose option ‘1’ to recover the factory Linux OS to flash disk.

Notice:

If your OS version is under 1.4.1, and you want to update OS to recently version.

You could find that command “setup-control.sh” does not exist.

Use below two commands to solve this issue.

```
# rm -f /usr/local/sbin/setup-control.sh
```

```
# ln -s /root/OS-install/setup-control.sh /usr/local/sbin/setup-control.sh
```

■ LX-9x71/9x81

1. Boot up with CF card and download recover file by below link.

<https://www.icpdas.com/en/download/show.php?num=1194&model=LX-9171>

Please download “LX-9000 OS image” option.

2. Delete old recover file (data folder “OS-install_9x7x_9x8x”) and unzip downloaded file.

```
root@icpdas:~# ls
Desktop OS-install_9x7x_9x8x
root@icpdas:~#
```

3. Executing the command “setup-control.sh” and choose option ‘1’ to recover the factory Linux OS to flash disk.

Notice:

After OS version 1.2.0, PAC OS converted from 32-bit OS to 64-bit OS.

If your OS version is under 1.2.0

You have to update CF card OS to 64-bit OS to update Flash OS version greater or equal to 1.2.0

Follow below steps to update CF card OS

1. Download image file with below link and unzip to **Flash OS**

<https://drive.google.com/a/gm.cajh.chc.edu.tw/uc?id=1PXACeFtFsFQy4n-MnVu5edIjA21CQm12&export=download>

2. Use command “dd” overwrite file “sdbcfreover.img” to CF card (This option will erase CF card disk. Please backup your file.)

```
#dd if=sdbcfreover.img of=/dev/sdb
```

3. Use command “#e2fsck /dev/sdb1 -y”

4. After command “dd” CF card will become 8G size, use command “#gparted /dev/sdb” in GUI

-> Right click on pattern and use “Resize”

-> adjust size

-> Right click “apply” to apply it.

5. You can recover Flash OS with your 64-bit OS CF card now.

3. Instructions for LX-8000/9000

This chapter provides a brief introduction of the LX-8000/9000 service tools and its benefits.

There are several tools and utilities built-in and designed for use with LX-8000/9000.

Some of these are pre-installed on LX-8000/9000 and can work directly on LX-8000/9000, and some of these are supporting tools and can help you to manage the LX-8000/9000 remotely on a PC.

3.1. Basic Linux Command

The Linux basic command can be used to set Linux OS or get system information in the LX-8000/9000.

```
bzipcmp  
bzdiff      gzip      ntfs-3g.usermap  systemd-ask-password  
bzegrep     hciconfig ntfs-cat         systemd-escape  
bzxex      hostname  ntfs-cluster    systemd-hwdb  
bzfgrep     ip        ntfs-cmp        systemd-inhibit  
bzgrep     journalctl ntfs-fallocate  systemd-machine-id-setup  
bzip2      kbd_mode  ntfs-fix        systemd-notify  
bzip2recover kill      ntfs-info       systemd-tmpfiles  
bzless     kmod     ntfs-ls         systemd-tty-ask-password-agent  
bzmore     less     ntfs-move      tailf  
cat        lessecho ntfs-truncate  tar  
chacl     lessfile ntfs-wipe     tempfile  
chgrp     lesskey  open          touch  
chmod     lesspipe openvt        true
```

3.1.1. Linux Command “ls”

ls: list the file information -> (like dir in DOS)

Parameter :

(1) -l : list detailed information of file

```
root@icpdas:/# ls -l
total 100
drwxr-xr-x  2  root root 4096   Mar 21 03:56 bin
drwxr-xr-x  3  root root 4096   Apr  8 08:41 boot
drwxrwxr-x  2  root root 4096   Jan  5 09:02 cdrom
drwxr-xr-x 19  root root 6640   Apr 10 18:05 dev
drwxr-xr-x 136 root root 12288  Apr 10 14:13 etc
drwxr-xr-x  3  root root 4096   Apr 13 2016 home
...ignore below message ....
```

```
root@icpdas:/#
```

(2) -a : list all files including hidden files

```
root@icpdas:/# ls -a
.   boot  etc      lib      mnt      root     tmp
..  cdrom  home     lost+found  opt      run      srv      usr
bin  devinitrd.imgmedia  proc     sbin     sys      var
```

```
root@icpdas:/#
```

3.1.2. Linux Command “cd”

cd directory: Change directory -> (like cd in DOS)

Parameter :

(1) .. : move to the upper directory

```
root@icpdas:/tmp# cd ..  
root@icpdas:/#
```

(2) ~ : move back to the root directory

```
root@icpdas:/# cd ~  
root@icpdas:~#
```

(3) / : divided sign

```
root@icpdas:~# cd /tmp  
root@icpdas:/tmp#
```

3.1.3. Linux Command “mkdir”

mkdir: create the subdirectory -> (like md in DOS)

mkdir -parameter subdirectory

```
root@icpdas:/tmp# mkdir mytest
root@icpdas:/tmp# ls mytest
mytest
root@icpdas:/tmp#
```


3.1.4. Linux Command “rm”

rm: delete file or directory -> (like del or deltree in DOS)

rm -parameter file (or directory)

Parameter :

(1) i: it will show the warning message when deleting

```
root@icpdas:/tmp# rm -i test.log  
rm: remove regular file 'test.log'? y  
root@icpdas:/tmp#
```

(2) r: delete directory despite that it isn't empty

```
root@icpdas:/tmp# rm -r mytest/  
root@icpdas:/tmp#
```

(3) f: it will not show a warning message when deleting (Example: rm -f test.exe)

```
root@icpdas:/tmp# rm -f test.log  
root@icpdas:/tmp#
```

3.1.5. Linux Command “cp”

cp: copy file -> (like copy in DOS)

cp -parameter source destination

```
root@icpdas:/tmp# cp /root/test.log /tmp/test.log
root@icpdas:/tmp# ls test.log
test.log
root@icpdas:/tmp#
```

3.1.6. Linux Command “mv”

mv: move or rename file or directory -> (like move or ren in DOS)

mv -parameter source file (or directory) destination file (or directory)

```
root@icpdas:/tmp# mv /root/test.log /tmp/mytest.log
root@icpdas:/tmp# ls mytest.log
mytest.log
root@icpdas:/tmp#
```

3.1.7. Linux Command “pwd”

pwd: show the current path

```
root@icpdas:/tmp# pwd
/tmp
root@icpdas:/tmp#
```

3.1.8. Linux Command “chmod”

chmod: change authority of file

chmod ??? file -> ??? means owner: group: all users

For example :

7 5 4 -> 111(read, write, execute) 101(read, write, execute) 100(read, write, execute)

The first number 7: **owner** can read and write and execute files

The second number 5: **group** can only read and execute files

The third number 4: **all users** can only read files

```
root@icpdas:/tmp# chmod 754 test.log
root@icpdas:/tmp# ls -al test.log
-rwxr-xr-- 1 root root 7 Apr 11 10:34 test.log
root@icpdas:/tmp#
```

3.1.9. Linux Command “uname”

uname: show the version of Linux kernel

```
root@icpdas:/tmp# uname -a  
Linux icpdas 4.14.12-rt10 #2 SMP PREEMPT RT Mon Jan 29 11:21:09 CST 2018 i686 i686  
i686 GNU/Linux  
root@icpdas:/tmp#
```

3.1.10. Linux Command “ps”

ps: show the procedures that execute now

```
root@icpdas:/tmp# ps -a
```

PID	TTY	STAT	TIME	COMMAND
1346	ttySX4	Ss+	0:00	/sbin/agetty 115200 ttySX4 vt220
1347	tty1	Ss+	0:00	/sbin/agetty --noclear 115200 tty1 linux
1607	pts/3	Ss	0:01	-bash
3655	pts/4	Ss	0:00	-bash
4134	pts/5	Ss	0:00	-bash
4442	pts/4	S+	0:00	vim slot.c
5052	pts/3	S+	0:00	vim test.c
5159	pts/5	R+	0:00	ps a

...ignore below message

```
root@icpdas:/#
```

3.1.11. Linux Command “date”

date: show date and time

```
root@icpdas:/tmp# date
```

```
Tue Apr 11 10:49:24 CST 2017
```

```
root@icpdas:/tmp#
```


3.1.12. Linux Command “netstat”

netstat: show the state of network

Parameter [-a]: list all states

```
root@icpdas:/tmp# netstat -a
Active Internet connections (servers and established)
Proto Recv-Q Send-Q Local Address           Foreign Address         State
tcp        0      0 localhost:gpsd         *.*                     LISTEN
tcp        0      0 localhost:mysql        *.*                     LISTEN
tcp        0      0 *:ssh                  *.*                     LISTEN
tcp        0      0 10.1.0.26:ssh          10.1.0.3:3874          ESTABLISHED
...ignore below message ...

root@icpdas:/#
```

3.1.13. Linux Command “ifconfig”

ifconfig: show the ip and network mask (like ipconfig in DOS)

```
root@icpdas:/tmp# ifconfig
eth0      Link encap:Ethernet  HWaddr 00:90:fb:5b:58:7f
          inet addr:10.1.0.7  Bcast:10.1.255.255  Mask:255.255.0.0
          inet6 addr: fe80::290:fbff:fe5b:587f/64 Scope:Link
          UP BROADCAST RUNNING MULTICAST  MTU:1500  Metric:1
          RX packets:1413820 errors:0 dropped:0 overruns:0 frame:0
          TX packets:18223 errors:0 dropped:0 overruns:0 carrier:0
          collisions:0 txqueuelen:1000
          RX bytes:139319074 (139.3 MB)  TX bytes:2141346 (2.1 MB)
          Memory:b0600000-b067ffff

eth1      Link encap:Ethernet  HWaddr 00:00:00:00:00:03
          inet addr:10.1.0.26  Bcast:10.1.255.255  Mask:255.255.0.0
          inet6 addr: fe80::200:ff:fe00:3/64 Scope:Link
          UP BROADCAST RUNNING MULTICAST  MTU:1500  Metric:1
          RX packets:1383704 errors:0 dropped:0 overruns:0 frame:0
          TX packets:122 errors:0 dropped:0 overruns:0 carrier:0
          collisions:0 txqueuelen:1000
          RX bytes:108598342 (108.5 MB)  TX bytes:15709 (15.7 KB)
          Interrupt:17 Memory:b0700000-b0720000

lo        Link encap:Local Loopback
          inet addr:127.0.0.1  Mask:255.0.0.0
          inet6 addr: ::1/128 Scope:Host
          UP LOOPBACK RUNNING  MTU:65536  Metric:1
          RX packets:7 errors:0 dropped:0 overruns:0 frame:0
          TX packets:7 errors:0 dropped:0 overruns:0 carrier:0
          collisions:0 txqueuelen:1
          RX bytes:387 (387.0 B)  TX bytes:387 (387.0 B)

root@icpdas:/tmp#
```

3.1.14. Linux Command “wget”

wget: get the file from the web link.

```
root@icpdas:# wget http://ftp.icpdas.com/pub/cd/lx-series/napdos/lx-series/sdk/linpac_x86_sdk.tgz
--2017-04-11 10:54:27-- http://ftp.icpdas.com/pub/cd/lx-series/napdos/lx-series/sdk/linpac_x86_sdk.tgz
Resolving ftp.icpdas.com (ftp.icpdas.com)... xx.xx.xx.xx
Connecting to ftp.icpdas.com (ftp.icpdas.com)|xx.xx.xx.xx|:xx... connected.
HTTP request sent, awaiting response... 200 OK
Length: 248598 (243K) [application/pdf]
Saving to: 'linpac_x86_sdk.tgz'

linpac_x86_sdk.tgz 100%[=====>] 242.77K  --.-KB/s    in 0.02s

2017-04-11 10:54:27 (10.8 MB/s) - 'linpac_x86_sdk.tgz' saved [248598/248598]

root@icpdas:#
```

3.1.15. Linux Command “ping”

ping: check to see if the host in the network is alive

ping IPAddress (Example: ping 192.168.0.1)

```
root@icpdas:/tmp# ping www.google.com
```

```
PING www.google.com (216.58.200.36) 56(84) bytes of data.
```

```
64 bytes from tsa01s08-in-f4.1e100.net (216.58.200.36): icmp_seq=6 ttl=53 time=8.89 ms
```

```
64 bytes from tsa01s08-in-f4.1e100.net (216.58.200.36): icmp_seq=7 ttl=53 time=8.69 ms
```

```
64 bytes from tsa01s08-in-f4.1e100.net (216.58.200.36): icmp_seq=8 ttl=53 time=8.54 ms
```

```
64 bytes from tsa01s08-in-f4.1e100.net (216.58.200.36): icmp_seq=9 ttl=53 time=18.6 ms
```

```
64 bytes from tsa01s08-in-f4.1e100.net (216.58.200.36): icmp_seq=10 ttl=53 time=8.46 ms
```

```
64 bytes from tsa01s08-in-f4.1e100.net (216.58.200.36): icmp_seq=11 ttl=53 time=18.6 ms
```

```
^C
```

```
--- www.google.com ping statistics ---
```

```
11 packets transmitted, 6 received, 45% packet loss, time 10046ms
```

```
rtt min/avg/max/mdev = 8.465/11.973/18.632/4.705 ms
```

```
root@icpdas:/tmp#
```

3.1.16. Linux Command “clear”

clear: clear the screen

```
root@icpdas:/tmp# ping www.google.com
PING www.google.com (216.58.200.36) 56(84) bytes of data.
64 bytes from tsa01s08-in-f4.1e100.net (216.58.200.36): icmp_seq=6 ttl=53 time=8.89 ms
64 bytes from tsa01s08-in-f4.1e100.net (216.58.200.36): icmp_seq=7 ttl=53 time=8.69 ms
64 bytes from tsa01s08-in-f4.1e100.net (216.58.200.36): icmp_seq=8 ttl=53 time=8.54 ms
64 bytes from tsa01s08-in-f4.1e100.net (216.58.200.36): icmp_seq=9 ttl=53 time=18.6 ms
64 bytes from tsa01s08-in-f4.1e100.net (216.58.200.36): icmp_seq=10 ttl=53 time=8.46 ms
64 bytes from tsa01s08-in-f4.1e100.net (216.58.200.36): icmp_seq=11 ttl=53 time=18.6 ms
^C
--- www.google.com ping statistics ---
11 packets transmitted, 6 received, 45% packet loss, time 10046ms
rtt min/avg/max/mdev = 8.465/11.973/18.632/4.705 ms
root@icpdas:/tmp#clear
```

3.1.17. Linux Command “passwd”

passwd: change the password

passwd ??? — > ??? means the users that you want to change password

```
root@icpdas:/tmp# passwd root
```

```
Enter new UNIX password:
```

```
Retype new UNIX password:
```

```
passwd: password updated successfully
```

```
root@icpdas:/tmp#
```

3.1.18. Linux Command “update-rc.d”

update-rc.d: install and remove System-V style init script links

(1) update-rc.d [-n] name defaults(Example : update-rc.d hello defaults)

```
root@icpdas:~# update-rc.d hello defaults
```

(2) update-rc.d [-n] [-f] name remove(Example : update-rc.d -f hello remove)

```
root@icpdas:~# update-rc.d -f hello remove
```

3.1.19. Linux Command “reboot”

reboot: reboot the LinPAC

```
root@icpdas:~# reboot
```


3.2. i-Talk Utility

The **i-Talk utility** can make the convenient for users to access the modules and hardware in the LX-8000/9000.

Instruction	Function Description
getlist	List all module name in the LX-8000/9000
setdo	Set digital output value to 8k module
setao	Set analog output value to 8k module
getdi	Get digital input value from 8k module
getai	Get analog input value from 8k module
setexdo	Set digital output value to 7k/87k module
setexao	Set analog output value to 7k/87k module
getexdi	Get digital input value from 7k/87k module
getexai	Get analog input value from 7k/87k module
setport	Set port value by offset to a module
getport	Get port value by offset from a module
setsend	Send string from LinPAC COM port
getreceive	Receive string from LinPAC COM port
getsendreceive	Send/Receive string from LinPAC COM port
read_sn	Get Hardware Serial Number of LX-8000/9000
rotary_id	Get Rotary Switch ID of LX-8000/9000
ttyS1-config	Set ttyS1 communication mode(LX-8x31 only)
iztconfig	Zigbee protocol communicate, Use ZT-USBC commute with ZT-2000 series device

led	Set all led indicator status
led_single	Set one led indicator status
icpdas_pps	GPS time synchronization (with I-8211w module)
LINPAC_SDK	Get currently LinPAC SDK version
OS_version	Get your LinPAC OS version
qualcomm_rst	Install I-8213W-4GC/4GE driver
wvdial-on	Connect to Internet by I-8213W-3GWA/4GC/4GE
wvdial-off	Disconnected from the network

■ ZT-USBC introduce

http://www.icpdas.com/root/product/solutions/industrial_wireless_communication/wireless_solutions/zt-usb.html

■ ZT-2000 series introduce

http://www.icpdas.com/root/product/solutions/industrial_wireless_communication/wireless_solutions/wireless_selection.html

■ I-8211w introduce

http://www.icpdas.com/root/product/solutions/remote_io/rs-485/i-8k_i-87k/i-8211w.html

■ I-8213W-3GWA introduce

<http://m2m.icpdas.com/i-8212w-3GWA.html>

■ I-8213W-4GC/4GE introduce

<http://m2m.icpdas.com/i8213w-4G-Series.html>

Below Table lists the demos that show how to use the I-talk utility. In the demo, the **I-8024** (AO Module) 、 **I-8017H** (AI Module) and **I-8055** (DIO Module) are all used and they are plugged into the slots 1 、 2 and 3 of the LinPAC separately.

Instruction	Demo
getlist	<p>Command: getlist → getlist</p> <p>Description: List all module names in the LX-8000/9000 Series.</p>
setdo	<p>Command: setdo [slot] [data] → setdo 3 3</p> <p>Description: Set i-8055 channel 1 and 2 on.</p>
setao	<p>Command: setao [slot] [channel] [data] → setao 1 0 2.2</p> <p>Description: Set i-8024 channel 0 output 2.2V.</p>
getdi	<p>Command: getdi [slot] [type] → getdi 3 8</p> <p>Description: Get the 8 bits DI value from i-8055.</p>
getai	<p>Command: getai [slot] [channel] [gain] [mode] → getai 2 0 0 0</p> <p>Description: Get the AI value from i-8017HW.</p>
setexdo	<p>Command: (1) setexdo [slot] 1 [data] → setexdo 2 1 55 (2) setexdo [slot] [comport] [data] [baudrate] [address] → setexdo 0 3 55 9600 2</p> <p>Description: (1)Set the dec digital output value to the module at slot 2 at COM1.</p>

	(2)Set the dec digital output value to the module at slot 0 at COM3.
setexao	<p>Command:</p> <p>(1) setexao [slot] 1 [value] [channel] → setexao 2 1 6.7 5</p> <p>(2)setexao [slot] [comport] [value] [channel] [baudrate] [address] → setexao 0 3 6.7 5 9600 2</p> <p>Description:</p> <p>(1)Set channel 5 analog value 6.7 to the module at slot 2. (2)Set channel 5 analog value 6.7 to the module at COM3.</p>
getexdi	<p>Command:</p> <p>(1)getexdi [slot] 1 → getexdi 2 1</p> <p>(2)getexdi [slot] [comport] [baudrate] [address] → getexdi 0 3 9600 2</p> <p>Description:</p> <p>(1)Get the dec digital input value from the module at slot 2. (2)Get the dec digital input value from the module at COM3.</p>
getexai	<p>Command:</p> <p>(1)getexai [slot] 1 [channel] → getexai 2 1 5</p> <p>(2)getexai [slot] [comport] [channel] [baudrate] [address] → getexai 0 3 5 9600 2</p> <p>Description:</p> <p>(1)Get channel 5 analog value from the module at slot 2. (2)Get channel 5 analog value from the module at COM3.</p>
read_sn	<p>Command:</p> <p>read_sn → read_sn</p> <p>Description:</p> <p>Show the serial number.</p>

rotary_id	<p>Command: rotary_id → rotary_id</p> <p>Description: Read rotary switch ID of LX-8000/9000</p>
ttyS1-config (LX-8x31 only)	<p>Command: ttyS1-config → ttyS1-config</p> <p>Description: Setting the serial port ttyS1(RS232 or RS485) of LX-8x31</p>
iztconfig	<p>Command: iztconfig → iztconfig</p> <p>Description: Using ZT-USBC communicate with ZT-2000 series 1.Loaded ftdi_sio driver first #modprobe ftdi_sio 2.Add ZT-USBC device id # echo "1b5c 0210" > /sys/bus/usb-serial/drivers/ftdi_sio/new_id</p>
led	<p>Command: led → led</p> <p>Description: Print a menu to set all led indicator</p>
led_single	<p>Command: led_single [led] [status] → led_single 0 1</p> <p>Description: Set "Run" led indicator status to "ON"</p>
icpdas_pps	<p>Command: icpdas_pps → icpdas_pps</p> <p>Description: Execute GPS time synchronization. (with I-8211w module)</p>

	Add in /etc/rc.local will execute automatically.
LINPAC_SDK	Command: LINPAC_SDK → LINPAC_SDK Description: Get currently LinPAC SDK version
OS_version	Command: OS_version → OS_version Description: Read LinPAC OS version
qualcomm_rst	Command: qualcomm_rst → qualcomm_rst Description: Install I-8213W-4GC, I-8213W-4GE driver
wvdial-on	Command: wvdial-on → wvdial-on Description: Connect to Internet by I-8213W-3GWA/4GC/4GE
wvdial-off	Command: wvdial-off → wvdial-off Description: Disconnected from the network

3.3. LX-8000/9000 SDK

LX-8000/9000 SDK consists of the following major items.

- LinPAC SDK library files
- LinPAC SDK include files
- Demo files

From <https://www.icpdas.com/en/download/show.php?num=904&model=LX-9371>, you can download the latest version of LX-8000/9000 SDK. And then follows the below steps in order to get the development toolkit which has been provided by ICP DAS for the easy application of the LX-8000/9000 embedded controller platform.

(1) User can connect to LX-8000/9000 through communication port (**Console, LAN1, LAN2**) by using “**putty**” software (refer to “CH2.LX-8000/9000 Getting Started”).

(2) After connecting to LX-8000/9000, user could type “wget” command to get the latest version of LX-8000/9000 SDK.

Tips & Warnings




Please check the network can connect to the ICP DAS official website.

LX-8000, LX-9000 series

Related Resources

[I-8K/I-87K Software Support of LinPAC](#)

[I-9K/I-97K Software Support of LinPAC](#)

FILE NAME	VERSION	FILE DATE	SIZE	NOTE	
LinPAC x86 SDK	0.8.16	2021-08-02	1.1 MB	For LX-8000 and LX-9000 series	

(2) To type “**tar xzf linpac_x86_sdk.tgz**” to decompress tar file and type “**make**” to compile demo code.

```
root@icpdas:~# tar xzf linpac_x86_sdk.tgz
root@icpdas:~# ls linpac_x86_sdk
linpac_x86_sdk
root@icpdas:~# cd linpac_x86_sdk/
root@icpdas:~/linpac_x86_sdk# make
```

Once user decompresses the SDK file, user can find the files for the library and demo in the following paths.

The libPAC_x86.a path is “**LinPAC_X86_SDK/lib**”.

The include files path is “**LinPAC_X86_SDK/include**”.

The LX-8000/9000 demo path is “**LinPAC_X86_SDK/examples/lx-series**”.

The LP-8x81/8x81-Atom demo path is “**LinPAC_X86_SDK/examples/lp-8x81**”.

4. Your First LX-8000/9000 Program

This chapter provides a guided tour that describes the steps needed to set-up a development environment, download, install, configure for user programming with the LX-8000/9000. The default LX-8000/9000 support below development tools:

Default Development Tools

Linux OS is a mature embedded operating system which supports rapid development. Standard development tools are list as follows which are highly integrated, with comprehensive support for developing applications of LX-8000/9000.

- Scripts Language (shell script, perl, python and php)
- Standard C language and GNU gcc compiler

LX-8000/9000 SDKs

The x86 LinPAC SDK is a Software Development Kit (SDK) that contains C header files, C libraries. The LX-8000/9000 SDK is classified by development tools that can be downloaded from the web link "http://ftp.icpdas.com/pub/cd/lx-series/napdos/lx-series/sdk/linpac_x86_sdk.tgz" or use command "**LINPAC_SDK**" to get the latest version of LX-8000/9000 SDK.

4.1. Your First LX-8000/9000 Program with C Language

In this section, we will introduce how to compile the helloworld.c to helloworld and executes this file on the LX-8000/9000 Series. In this example, no ICP DAS modules are used. To create a demo program with C that includes the following main steps:

1. Find demo "helloworld.c" in SDK
2. Compile and Execute the demo on LX-8000/9000
3. Execute the application on LX-8000/9000 at boot time

All main steps will be described in the following subsection.

4.1.1. Find Demo “helloworld.c” in SDK

The x86 LinPAC SDK had added the demo “helloworld.c”. User can follow below steps to find the demo in SDK.

1. Download SDK

Please refer to “CH3.3 LX-8000/9000 SDK” steps to get SDK

2. Find the demo in SDK

Using command “cd” move to demo’s directory.

3. Use “vi” command to modify/create demo “helloworld.c” in SDK

```
root@icpdas:~# cd LinPAC_X86_SDK/examples/lx-series/common/
root@icpdas:/tmp/LinPAC_X86_SDK/examples/lx-series/common# ls helloworld*
helloworld  helloworld.c
root@icpdas:/tmp/LinPAC_X86_SDK/examples/lx-series/common# vi helloworld.c
```

4.1.2. Compile/Execute Demo “helloworld”

User can refer to below steps to compile and execute demo “helloworld”.

1. Add script to SDK Makefile

User can refer to the SDK Makefile (LinPAC_X86_SDK/examples/lx-series/common/Makefile) that we had added the script for demo “helloworld.c”.

2. Type “make helloworld” command to compile demo “helloworld.c”

3. Execute binary file “helloworld”

```
root@icpdas:/tmp/LinPAC_X86_SDK/examples/lx-series/common# make helloworld
gcc -I. -I../././include -c -o helloworld.o helloworld.c
gcc -I. -I../././include -o helloworld helloworld.o ../././lib/libPAC_x86.a -lm
rm -f helloworld.o
root@icpdas:/tmp/LinPAC_X86_SDK/examples/lx-series/common# ./helloworld
Hi ~ Welcome to x86 LinPAC
root@icpdas:/tmp/LinPAC_X86_SDK/examples/lx-series/common#
```

4.1.3. Execute Demo at Boot Time

User can refer to below steps to auto-execute demo “helloworld” at boot time in LX-8000/9000.

1. Create script file in “/etc/init.d”

User can use “vi” command to create the script file in “/etc/init.d” and add below script language to the file.

```
root@icpdas:~# vi /etc/init.d/hello
```

```
#!/bin/sh

### BEGIN INIT INFO
# Provides: ICP DAS
# Required-Start:
# Required-Stop:
# Should-Start:
# Should-Stop:
# Default-Start: 2 3 4 5
# Default-Stop: 0 1 6
# Short-Description: Start and stop hello
# Description: hello
### END INIT INFO

helloworld > /tmp/test.log
```

2. Use “update-rc.d” command to add the script “hello” automatically.

```
root@icpdas:~# chmod +x /etc/init.d/hello
root@icpdas:~# update-rc.d hello defaults
```

3. After setting the file, the LX-8000/9000 will execute binary “helloworld” at boot time

5. Application for LX-8000/9000

In this chapter, ICP DAS provides extra module supported and instructions to enhance LX-8000/9000 functionality and affinity.

5.1. Advanced Package Tool

“apt-get” command is a management system for software packages on the Linux OS of LX-8000/9000.

- To install a package run the following commands:

```
apt-get update  
apt-get install <package>
```

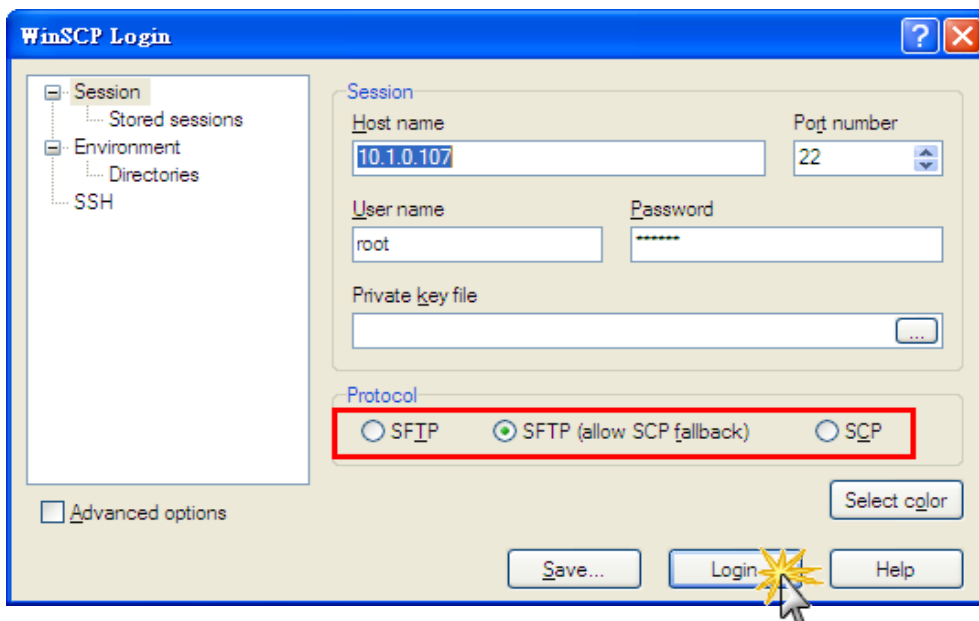
- To search available package run the following commands:

```
apt-cache search <package name>
```

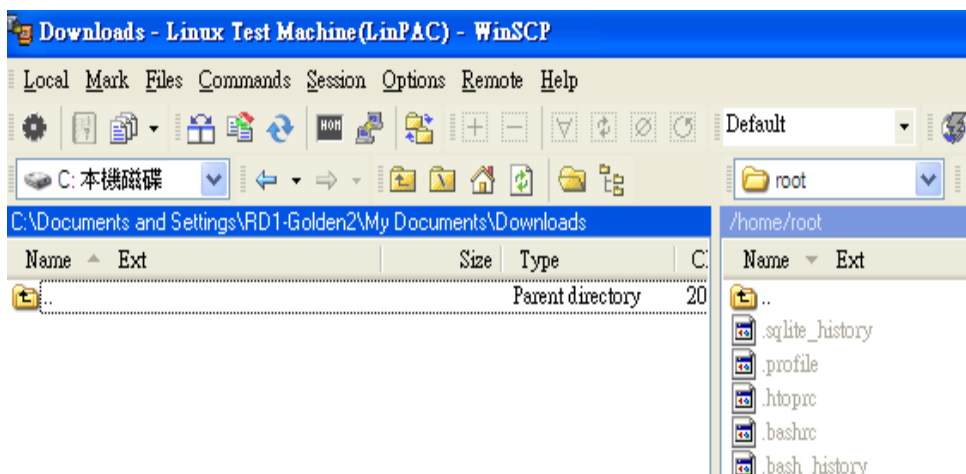
5.2. SFTP (secure file transfer program)

The LX-8000/9000 series had supported SFTP(or SCP), user can transfer the file from Windows(or Linux). For examples, using Windows Program “WinSCP” to access the device over network, please follow below steps:

1. Choosing the “SFTP” or “SCP” protocol and type IP address, default ID (root) and password (icpdas) to login



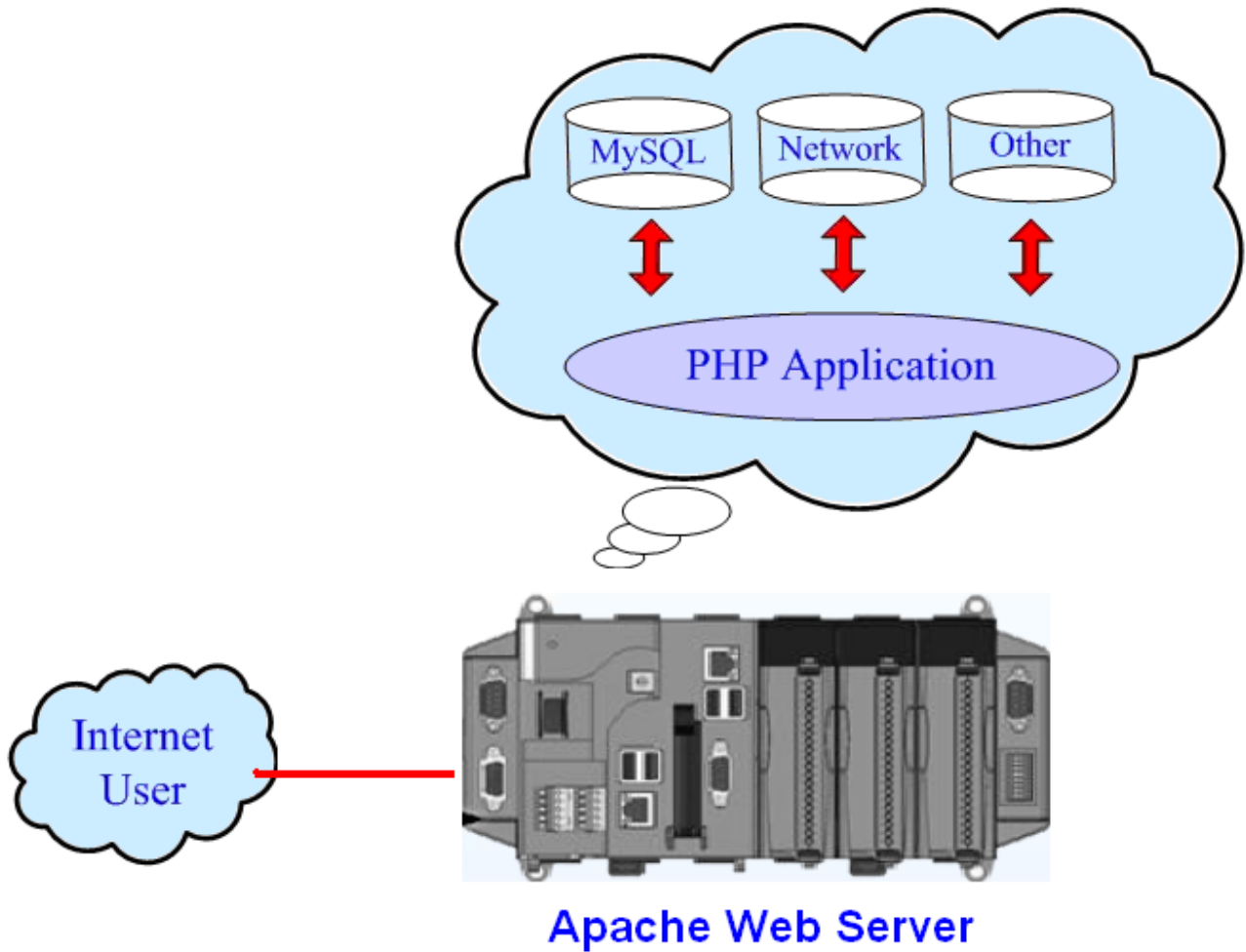
2. Drag and drop file



5.3. LAMP

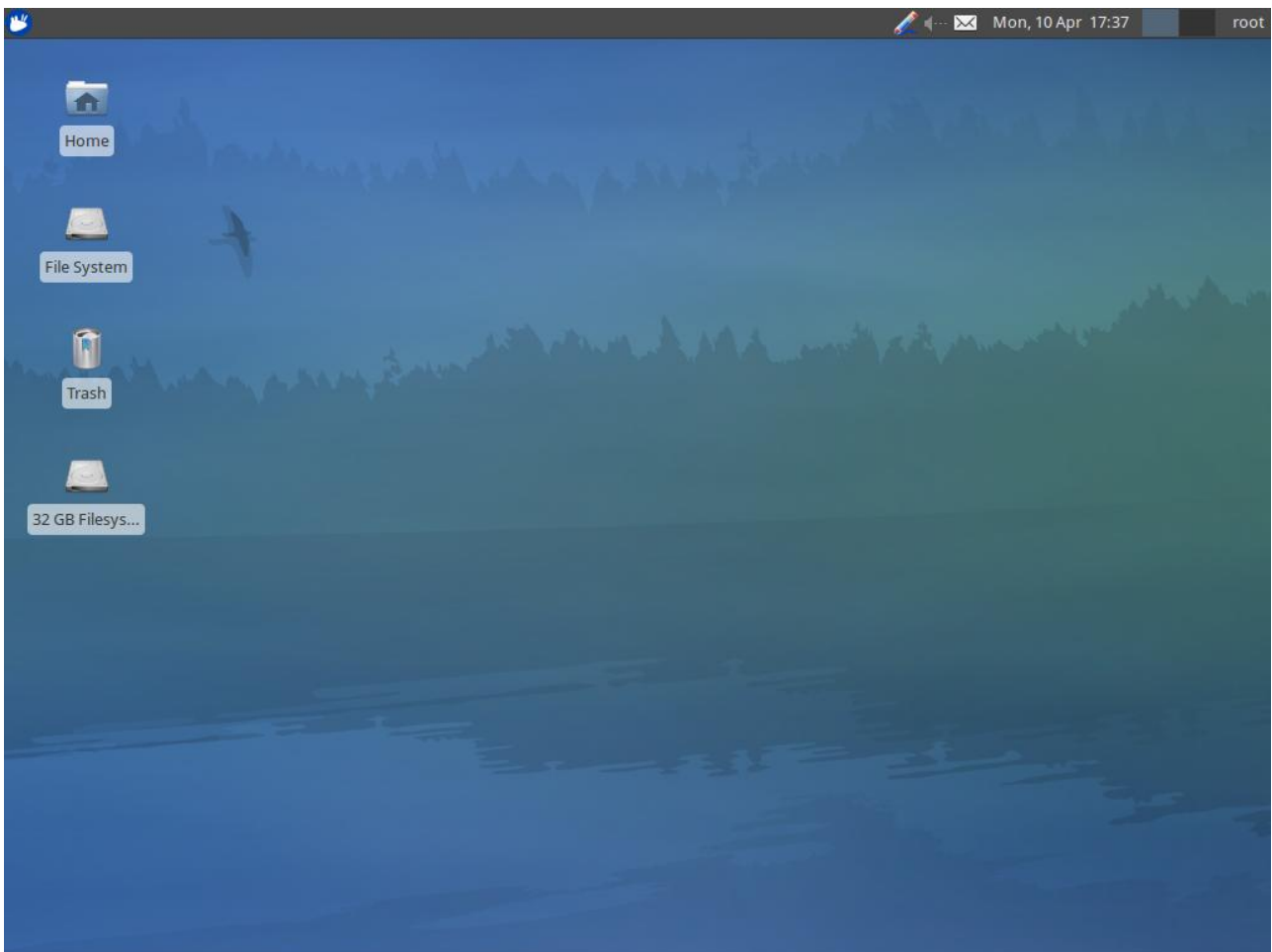
The LAMP (Linux + Apache + PHP + MySQL) server has been built in the Linux OS of LX-8000/9000. As a solution stack, LAMP is suitable for building dynamic web sites and web applications.

MySQL default account is 'root' and password is 'root'

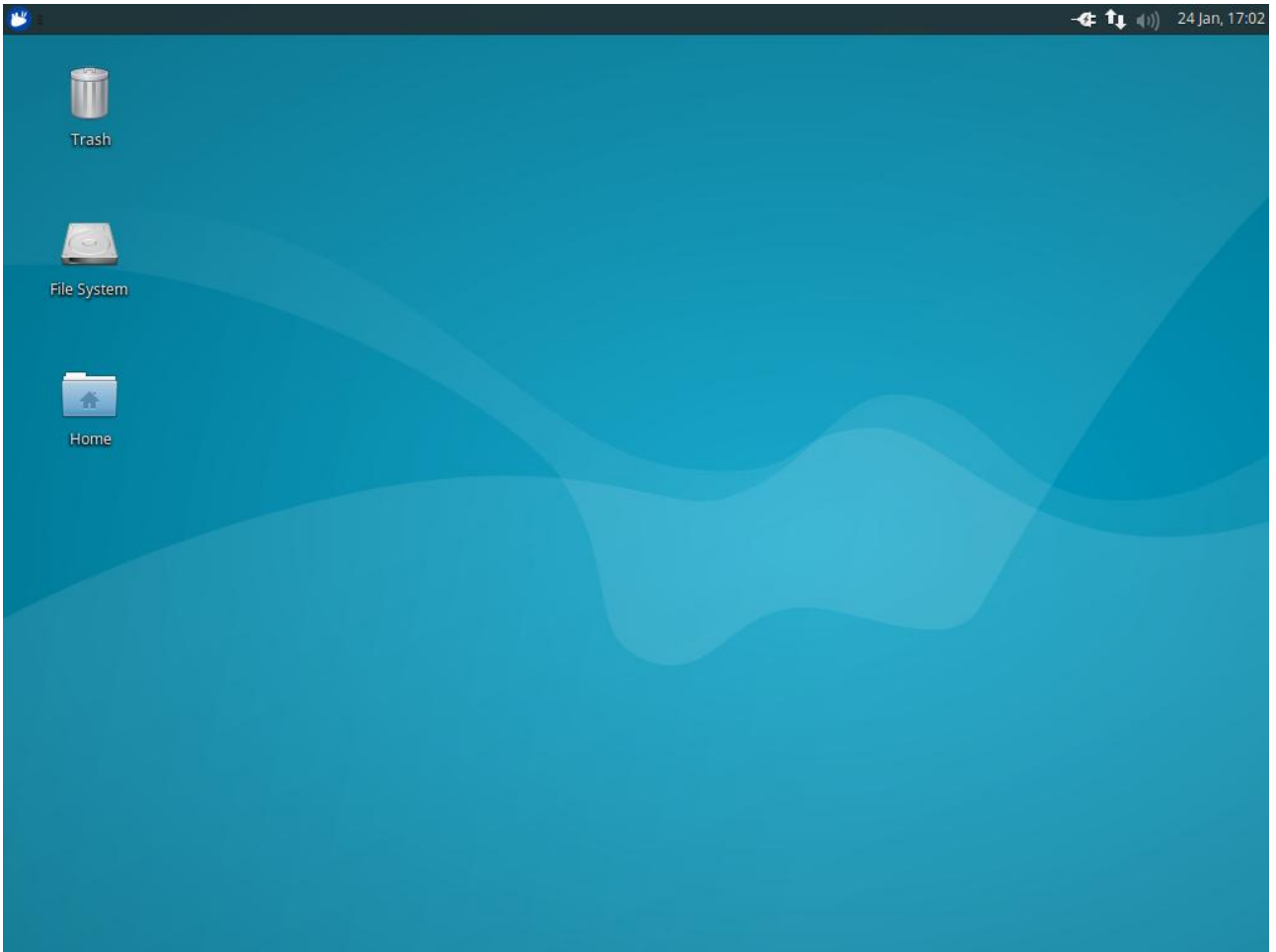


5.4. XFCE (secure file transfer program)

XFCE is a lightweight desktop environment for UNIX-like operating systems. It aims to be fast and low on system resources, while still being visually appealing and user friendly. The LX-8000/9000 series support the XFCE package, after user type “root” and password “icpdas” to login, the local terminal would execute the XFCE Desktop.



LX-8x31 XFCE Desktop screen shot



LX-9x71 & LX-9x81 Xfce Desktop screen shot

5.5. Network redundancy

Network redundancy is a communications pathway that has additional links to connect all nodes in case one link goes down. We have two ways to support network redundancy.

1. Enable Bridge Interface with RSTP

User can create a network bridge interface with RSTP protocol to make dual LAN redundant mechanism.

If one of your LX-8000/9000 PAC device LAN port is stops working, bridge will use another LAN port to continue working.

This mechanism makes sure your network environment much stronger.

User can follow below steps to enable bridge interface with RSTP protocol.

Step 1: Using the linux command “vi” to modify the file “/etc/network/interfaces”.

Step 2: Unmark rstp mechanism like below

```
#enable rstp mechanism
auto br0
iface eth0 inet manual
iface eth1 inet manual
iface br0 inet dhcp
mstpctl_ports eth0 eth1
mstpctl_stp on
mstpctl_forcevers rstp
```

Unmark rstp setting

Step 3: After user save the file and use “reboot” command to reset device, user can use the new network configuration on LX-8000/9000.

2. Linux Network Bonding mode 1

Linux network bonding is a creation of a single bonded interface by combining 2 or more Ethernet interfaces. The mode 1 setting is active backup, like network redundant.

In this section, you can follow below steps to configure linux bonding easier.

If you use LX-9x71/9x81, check your OS version by command "OS_version". OS support linux bonding when version greater or equal to 1.1.1.

Step1: Unmark linux bonding example in /etc/network/interfaces and mark other setting.

```
# interfaces(5) file used by ifup(8) and ifdown(8)
auto lo
iface lo inet loopback
#=====
#Linux bonding example
auto eth0
iface eth0 inet manual
bond-master bond0

# eth1 ditto, thus creating a 2-link bond.
auto eth1
iface eth1 inet manual
bond-master bond0

# bond0 is the bonding NIC and can be used like any other normal NIC.
# bond0 is configured using static network information.
auto bond0
iface bond0 inet static
address 10.1.118.15
gateway 10.1.0.254
netmask 255.255.0.0
bond-mode 1
bond-miimon 100
bond-slaves none
#=====
```

Step2: reboot to make configure work.

Step3: Check linux bonding status.

```
root@icpdas:/boot# cat /proc/net/bonding/bond0
Ethernet Channel Bonding Driver: v3.7.1 (April 27, 2011)

Bonding Mode: fault-tolerance (active-backup)
Primary Slave: None
Currently Active Slave: eth1
MII Status: up
MII Polling Interval (ms): 100
Up Delay (ms): 0
Down Delay (ms): 0

Slave Interface: eth0
MII Status: up
Speed: 100 Mbps
Duplex: full
Link Failure Count: 2
Permanent HW addr: 00:0d:e0:6e:0b:46
Slave queue ID: 0

Slave Interface: eth1
MII Status: up
Speed: 100 Mbps
Duplex: full
Link Failure Count: 2
Permanent HW addr: 00:0d:e0:b0:97:2f
Slave queue ID: 0
root@icpdas:/boot# █
```

Step4: Use “ifconfig” to get your interface “bond0” information.

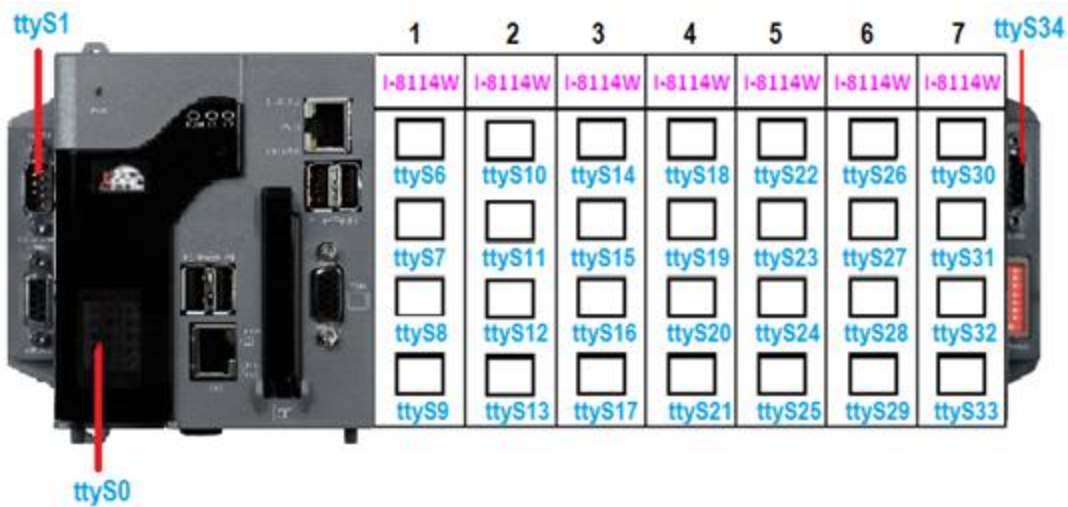
6. Additional Support

In this chapter, ICP DAS provides extra module supported and instructions to enhance LX-8000/9000 functionality and affinity.

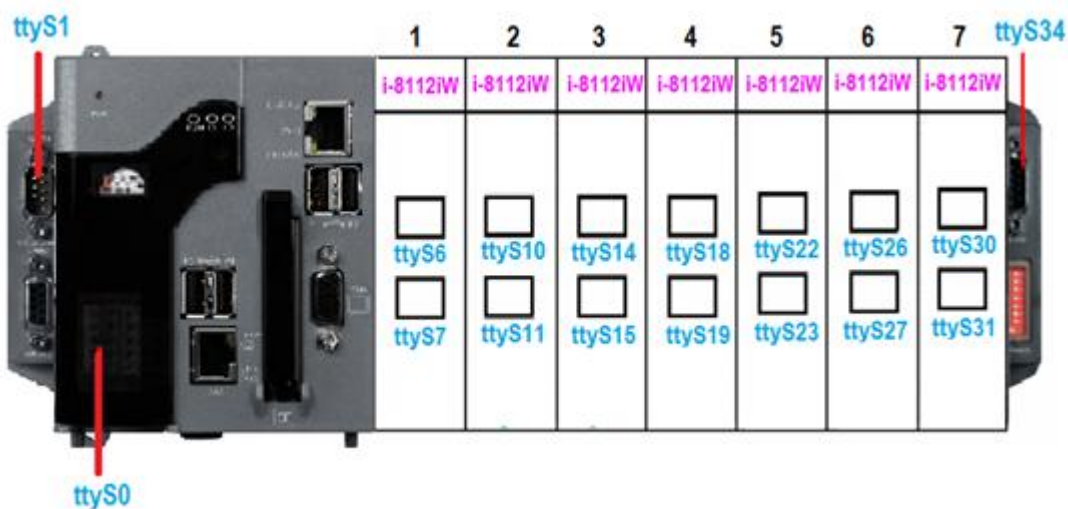
6.1. N-Port Modules Support

N-port communication modules provide two or four serial ports and can be inserted into the slot of an LX-8000/9000 embedded controller. In this way, additional serial ports can be used on the LX-8000/9000 embedded controller. The LX-8000/9000 embedded controller is a multi-tasking unit, meaning that all the serial ports can be controlled simultaneously. The number of each serial port on the N-Port Serial modules (two or four serial ports) are presented in below figures:

- LX-8000 N-Port Modules support (I-8114W, I-8112iW, etc.)

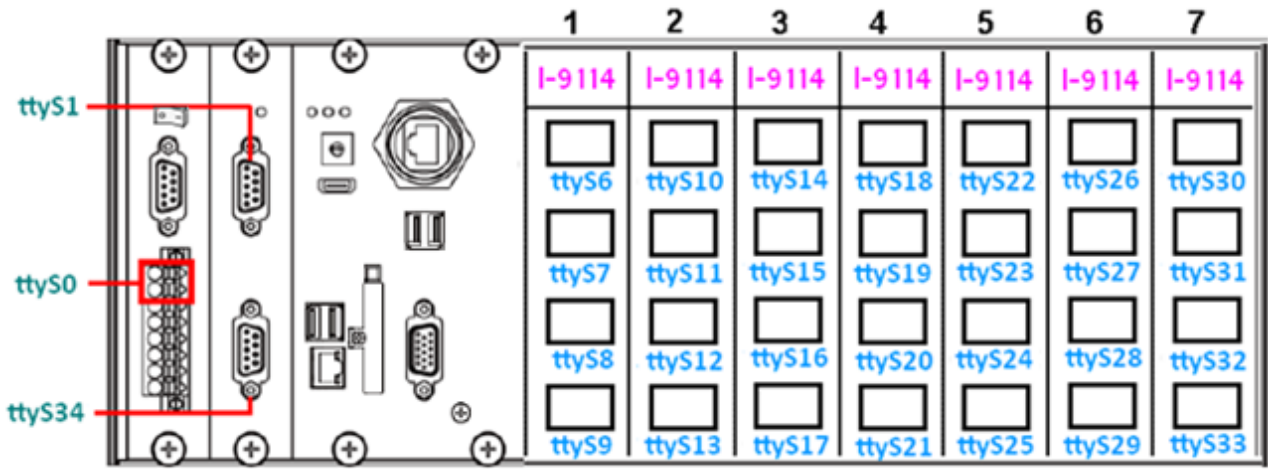


LX-8000 and Serial Module (4-Ports)

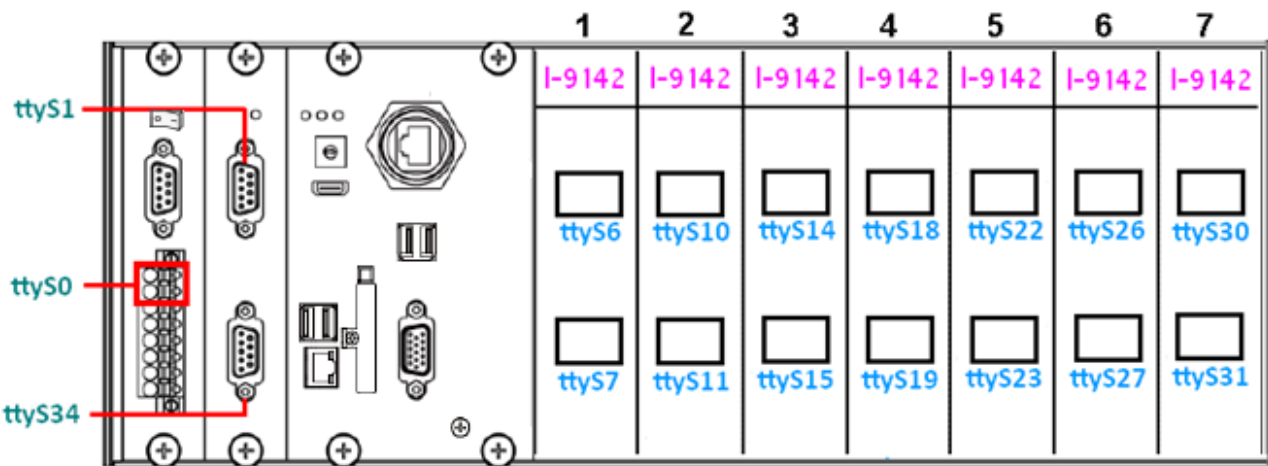


LX-8000 and Serial Module (2-Ports)

- LX-9000 N-Port Modules support (I-9114W, I-9144iW, i-9142W, etc.)



LX-9000 and Serial Module (4-Ports)



LX-9000 and Serial Module (2-Ports)

6.2. 3G/4G Module Support

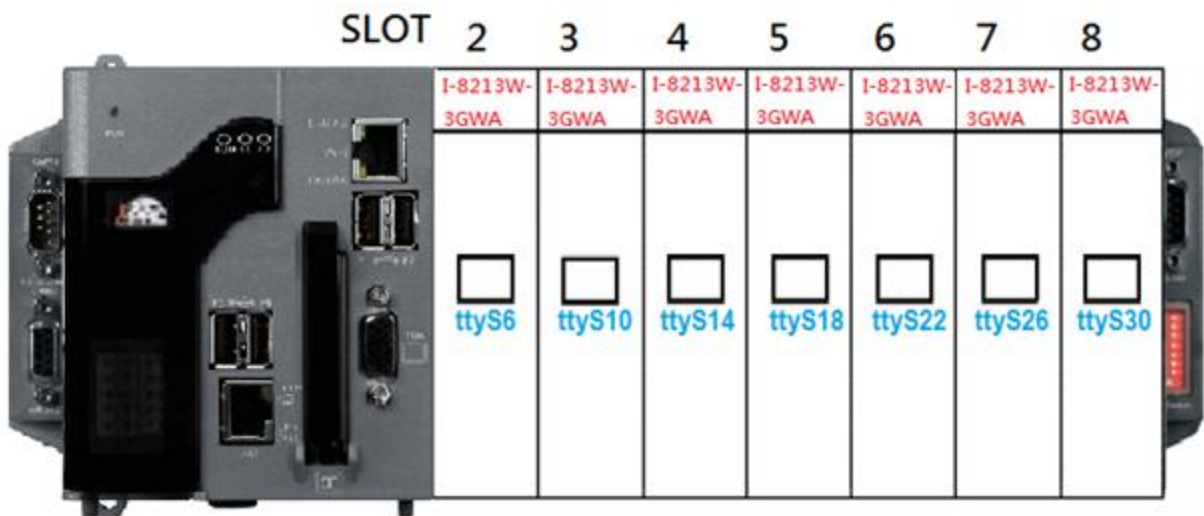
Below three products only support LX-8x31 PAC, not support LX-9000 PAC.

LX-8000 can support 3G/4G system by I-8213W-3GWA, I-8213W-4GC, I-8213W-4GE device.

Customer can follow below steps to enable 3G/4G system.

- I-8213W-3GWA (Product page: <http://m2m.icpdas.com/i-8212w-3GWA.html>)

1. Check I-8213W-3GWA 3G system device file name.



I-8213W-3GWA 3G system device file name

2. Profile setting

Set device file name and other setting by your own sim card.

```
[Dialer Defaults]
Modem = /dev/ttyS6 I-8213W-3GWA
Stupid Mode = 1 file name on slot 2
Modem Type = Analog Modem
Baud = 115200
ISDN = 0
Username = guest
Password = 5678
Init1 = ATZ
Init2 = AT+CPIN?

[Dialer pin]
Init2 = AT+CPIN=1234

[Dialer conn]
Phone = *99**1#
Dial Command = ATDT
Init2 = ATE
Init3 = ATQ0 V1 E1 S0=0 &C1 &D2 +FCLASS=0
Init4 = AT+CGDCONT=1,"IP","INTERNET" APN setting
```

3. Use command “wvdial-on” to dial-up connection.

```
#wvdial-on
```

4. Check your IP setting

```
root@icpdas:~# ifconfig
eth0      Link encap:Ethernet  HWaddr 00:0d:e0:6e:0b:46
          UP BROADCAST MULTICAST  MTU:1500  Metric:1
          RX packets:0 errors:0 dropped:0 overruns:0 frame:0
          TX packets:0 errors:0 dropped:0 overruns:0 carrier:0
          collisions:0 txqueuelen:1000
          RX bytes:0 (0.0 B)  TX bytes:0 (0.0 B)
          Interrupt:17 Memory:febe0000-fec00000

eth1      Link encap:Ethernet  HWaddr 00:0d:e0:b0:61:02
          UP BROADCAST RUNNING MULTICAST  MTU:1500  Metric:1
          RX packets:0 errors:0 dropped:0 overruns:0 frame:0
          TX packets:0 errors:0 dropped:0 overruns:0 carrier:0
          collisions:0 txqueuelen:1000
          RX bytes:0 (0.0 B)  TX bytes:0 (0.0 B)

lo        Link encap:Local Loopback
          inet addr:127.0.0.1  Mask:255.0.0.0
          inet6 addr: ::1/128 Scope:Host
          UP LOOPBACK RUNNING  MTU:16436  Metric:1
          RX packets:1564 errors:0 dropped:0 overruns:0 frame:0
          TX packets:1564 errors:0 dropped:0 overruns:0 carrier:0
          collisions:0 txqueuelen:0
          RX bytes:125188 (125.1 KB)  TX bytes:125188 (125.1 KB)

ppp0     Link encap:Point-to-Point Protocol
          inet addr:10.201.109.250  P-t-P:10.201.109.250  Mask:255.255.255.255
          UP POINTOPOINT RUNNING NOARP MULTICAST  MTU:1500  Metric:1
          RX packets:20 errors:0 dropped:0 overruns:0 frame:0
          TX packets:26 errors:0 dropped:0 overruns:0 carrier:0
          collisions:0 txqueuelen:3
          RX bytes:1703 (1.7 KB)  TX bytes:1348 (1.3 KB)
```

5. Ping google DNS to test

```
root@icpdas:~# ping -c 4 8.8.8.8
PING 8.8.8.8 (8.8.8.8) 56(84) bytes of data.
64 bytes from 8.8.8.8: icmp_req=1 ttl=53 time=1265 ms
64 bytes from 8.8.8.8: icmp_req=2 ttl=53 time=265 ms
64 bytes from 8.8.8.8: icmp_req=3 ttl=53 time=57.6 ms
64 bytes from 8.8.8.8: icmp_req=4 ttl=53 time=55.9 ms

--- 8.8.8.8 ping statistics ---
4 packets transmitted, 4 received, 0% packet loss, time 3008ms
rtt min/avg/max/mdev = 55.905/411.067/1265.149/500.420 ms, pipe 2
```

6. Use command “wvdial-off” to disconnecting internet.

```
#wvdial-off
```

- I-8213W-4GC/4GE (Product page <http://m2m.icpdas.com/i8213w-4G-Series.html>)

1. Install driver

```
# qualcomm_rst
```

2. Check I-8213W-4GC/4GE 3G/4G system device file name.

```
#dmesg | grep ttyUSB3
```

```
root@icpdas:~# dmesg | grep ttyUSB3  
[ 56.384995] usb 1-3: GSM modem (1-port) converter now attached to ttyUSB3
```

3. Profile setting

Set device file name and other setting by your own sim card.

```
[Dialer Defaults] I-8213W-4GC/4GE  
Modem = /dev/ttyUSB3 device file name  
Stupid Mode = 1  
Modem Type = Analog Modem  
Baud = 115200  
ISDN = 0  
Username = guest  
Password = 5678  
Init1 = ATZ  
Init2 = AT+CPIN?  
  
[Dialer pin]  
Init2 = AT+CPIN=1234  
  
[Dialer conn]  
Phone = *99***1#  
Dial Command = ATDT  
Init2 = ATE  
Init3 = ATQ0 V1 E1 S0=0 &C1 &D2 +FCLASS=0  
Init4 = AT+CGDCONT=1,"IP","INTERNET" APN setting
```

4. Use command “wvdial-on” to dial-up connection.

```
#wvdial-on
```

5. Check your IP setting

```
root@icpdas:~# ifconfig
eth0      Link encap:Ethernet  HWaddr 00:0d:e0:6e:0b:46
          UP BROADCAST MULTICAST  MTU:1500  Metric:1
          RX packets:0 errors:0 dropped:0 overruns:0 frame:0
          TX packets:0 errors:0 dropped:0 overruns:0 carrier:0
          collisions:0 txqueuelen:1000
          RX bytes:0 (0.0 B)  TX bytes:0 (0.0 B)
          Interrupt:17 Memory:febe0000-fec00000

eth1      Link encap:Ethernet  HWaddr 00:0d:e0:b0:61:02
          UP BROADCAST RUNNING MULTICAST  MTU:1500  Metric:1
          RX packets:0 errors:0 dropped:0 overruns:0 frame:0
          TX packets:0 errors:0 dropped:0 overruns:0 carrier:0
          collisions:0 txqueuelen:1000
          RX bytes:0 (0.0 B)  TX bytes:0 (0.0 B)

lo        Link encap:Local Loopback
          inet addr:127.0.0.1  Mask:255.0.0.0
          inet6 addr: ::1/128 Scope:Host
          UP LOOPBACK RUNNING  MTU:16436  Metric:1
          RX packets:540 errors:0 dropped:0 overruns:0 frame:0
          TX packets:540 errors:0 dropped:0 overruns:0 carrier:0
          collisions:0 txqueuelen:0
          RX bytes:49202 (49.2 KB)  TX bytes:49202 (49.2 KB)

ppp0      Link encap:Point-to-Point Protocol
          inet addr:10.201.16.117  P-t-P:10.64.64.64  Mask:255.255.255.255
          UP POINTOPOINT RUNNING NOARP MULTICAST  MTU:1500  Metric:1
          RX packets:22 errors:0 dropped:0 overruns:0 frame:0
          TX packets:23 errors:0 dropped:0 overruns:0 carrier:0
          collisions:0 txqueuelen:3
          RX bytes:1765 (1.7 KB)  TX bytes:1190 (1.1 KB)
```

6. Ping google DNS to test

```
root@icpdas:~# ping -c 4 8.8.8.8
PING 8.8.8.8 (8.8.8.8) 56(84) bytes of data.
64 bytes from 8.8.8.8: icmp_req=1 ttl=53 time=1130 ms
64 bytes from 8.8.8.8: icmp_req=2 ttl=53 time=281 ms
64 bytes from 8.8.8.8: icmp_req=3 ttl=53 time=280 ms
64 bytes from 8.8.8.8: icmp_req=4 ttl=53 time=278 ms

--- 8.8.8.8 ping statistics ---
4 packets transmitted, 4 received, 0% packet loss, time 3009ms
rtt min/avg/max/mdev = 278.988/492.677/1130.032/367.978 ms, pipe 2
```

7. Use command “wvdial-off” to disconnecting internet.

```
#wvdial-off
```

7. LX-8000/9000 Internet Service

The [internet service](#) provided by ICP DAS will be satisfied and it includes [Technical Support](#), [Driver Update](#), [OS_Image](#), [LinPAC_SDK](#) and [User's Manual Download](#) etc. Users can refer to the following web site to get more information:

1. ICP DAS Web Site :

<http://www.icpdas.com/>

2. LX-8x31/9x71/9x81 Product Page:

https://www.icpdas.com/en/product/guide+PACs+Linux_PACs+LX-8000

https://www.icpdas.com/en/product/guide+PACs+Linux_PACs+LX-9000

3. E-mail for Technical Support: service@icpdas.com

Appendix

A. I-8K Modules and I-87K Modules

This chapter provides a brief overview of the different between I-8K series modules and I-87K series modules.

I-8K and I-87K modules provide the option to expand the local I/O to expansion I/O slots and the bus type for the modules can be either parallel (high profile I-8K series) or serial (high profile I-87K series).

The different between I-8K series modules and I-87K series modules are as follows.

Item	I-8K Series	I-87K Series
Microprocessor	No	Yes (8051)
Communication Interface	Parallel Bus	Serial Bus
Communication Speed	Fast	Slow
Latched DI Function	No	Yes
Counter Input (for digital input modules)	No	Yes (100 Hz)
Power-on Value	No	Yes
Safe Value	No	Yes
Programmable Slew-Rate for AO modules	No	Yes

B. I-9K Modules and I-97K Modules

This chapter provides a brief overview of the different between I-9K series modules and I-97K series modules.

There are two types of I/O modules provided for supporting LX-9000. One is high communication speed I-9K series modules with parallel interface; the other is I-97K series modules with serial interface. The differences between the two series are listed as follows:

The differences between the I-9K and I-97K series I/O modules are as follows.

Item	I-9K Series	I-97K Series
Communication Interface	Parallel Bus	Serial Bus
Protocol	-	DCON
Communication Speed	Fast	Slow
DI with latched function	-	Y
DI with counter input	-	Y (100 Hz)
Power on value	-	Y
Safe Value	-	Y
Programmable slew-rate for AO module	-	Y

C. Revision History

This chapter provides revision history information to this document.

The table below shows the revision history.

Revision	Date	Description
V1.1.2	Qct. 2021	Remove audio description. Add LX-8000 how to boot with CF OS.
V1.1.1	Mar. 2021	The first login to change the password instructions
V1.1.0	Apr. 2020	Add "Update CF card backup file version" section
V1.0.9	Sep. 2019	Add HDMI port information.
V1.0.8	Jul. 2019	Change command "LINPAC_SDK" download path.
V1.0.7	Mar. 2019	Add chapter 6.2 for 3G/4G modules
V1.0.6	Jul. 2018	Add chapter 6 for N-Port serial modules
V1.0.5	Jun. 2018	Add network redundancy
V1.0.4	Jan. 2018	Updating specifications. Add COM port pin assignment. Add LAN port redundant mechanism.
V1.0.3	Jan. 2018	Adding the product information of LX-8031
V1.0.2	Dec. 2017	Updating the product information of LX-9x81.
V1.0.1	Nov. 2017	Adding the product information of LX-8x71.
V1.0.0	Apr. 2017	Initial issue